



Models JSS-230A50EU and JSS-230A50UK

JOBSITE SAW PRO

JSS Parts Lists

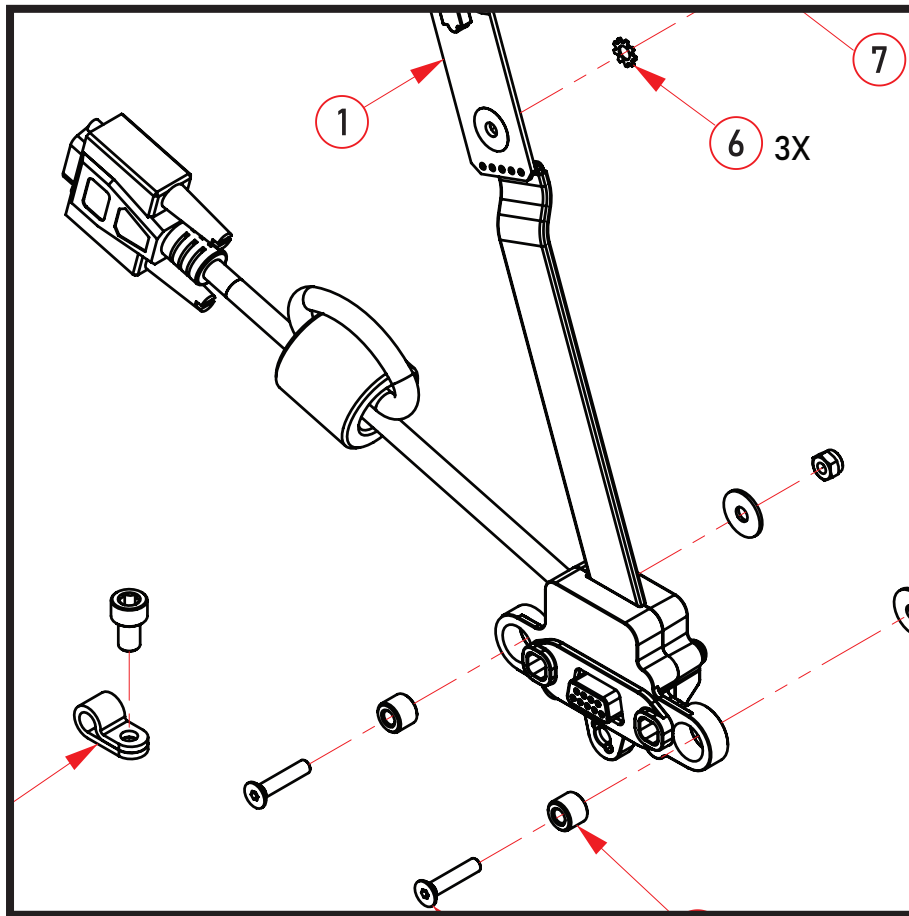


Table of Contents

Accessories

| | |
|---|----|
| JSS Wrench Pack Service Kit JSS-KIT-008 | 4 |
| JSS Miter Gauge Assembly Service Kit JSS-KIT-014 | 5 |
| JSS Switchbox Lockout Keys Service Kit JSS-KIT-020 | 6 |
| JSS Dust Port Adapter Service Kit JSS-KIT-042 | 7 |
| JSS Push Stick, Replacement JSS-KIT-045 | 8 |
| JSS Riving Knife Service Kit JSS-KIT-046 and JSS-KIT-047. | 9 |
| JSS Blade Guard Service Assembly JSS-KIT-049. | 10 |
| JSS Spreader Service Kit JSS-KIT-050. | 11 |
| Anti-Kickback Pawl Assembly JSS-KIT-065. | 12 |
| JSS Arbor Washer and Nut Service Kit JSS-KIT-066 | 13 |

Internal Assemblies

| | |
|--|----|
| JSS Grounding Wire Service Kit JSS-KIT-001 | 14 |
| JSS Riving Knife Clamp Service Kit JSS-KIT-002 | 15 |
| JSS Arbor Block Assembly Service Kit JSS-KIT-003 | 16 |
| JSS Cartridge Key Assembly, Replacement JSS-KIT-010. | 17 |
| JSS Tilt Angle Rack Service Kit JSS-KIT-017. | 18 |
| JSS Micro Adjust Assembly Service Kit JSS-KIT-018. | 19 |
| JSS Elevation Input Shaft Service Kit JSS-KIT-019 | 20 |
| JSS Tilt Lock Kit Service Kit JSS-KIT-021 | 21 |
| JSS Elevation Wheel Kit Service Kit JSS-KIT-022. | 22 |
| JSS Cartridge Cable Kit Service Kit JSS-KIT-032 | 23 |
| JSS Backdrive Assembly Service Kit JSS-KIT-034 | 24 |
| JSS Rear Trunnion Kit Service Kit JSS-KIT-036 | 25 |
| JSS Front Trunnion Service Kit JSS-KIT-041. | 26 |
| JSS Elevation Ground Service Kit JSS-KIT-043 | 27 |

Motor and Power

| | |
|--|----|
| JSS Motor, 230V, 50HZ, Service Kit JSS-KIT-004 | 28 |
| JSS Power Cable Service Kit, 230VAC-UK JSS-KIT-006 | 29 |
| JSS Power Cable 230VAC Service Kit-EU JSS-KIT-007. | 30 |
| JSS Motor Brush Kit Service Kit JSS-KIT-033. | 31 |
| JSS Switchbox Assembly Service Kit JSS-KIT-035. | 32 |
| Cable Assembly, EMC Filter JSS-KIT-051 | 33 |

Saw Body

| | |
|---|----|
| JSS Mobile Cart Service Kit JSS-KIT-005 | 34 |
| JSS Wrench Storage Service Kit JSS-KIT-013 | 35 |
| JSS Accessory Storage Service Kit JSS-KIT-015 | 36 |
| JSS Motor Cover Service Kit JSS-KIT-023. | 37 |
| JSS Cabinet Bolt Kit Service Kit JSS-KIT-024 | 38 |
| JSS Cabinet Base Service Kit JSS-KIT-026 | 39 |
| JSS Support Foot Service Kit JSS-KIT-027 | 40 |
| JSS Fence Storage Service Kit JSS-KIT-040 | 41 |
| JSS Mobile Cart, Wheels And Handles Only Service Kit JSS-KIT-044. | 42 |

| | |
|--|----|
| JSS Europe / Uk Status Light Label Service Kit JSS-KIT-055 | 43 |
| JSS Europe / UK Accessory Drawer Label Service Kit JSS-KIT-057 | 44 |
| JSS Europe / UK Owner's Manual Service Kit JSS-KIT-059 | 45 |
| JSS Jobsite Pro Logo Label Service Kit JSS-KIT-060. | 46 |
| JSS Squeeze To Tilt Label Service Kit JSS-KIT-061 | 47 |
| JSS Angle Label Service Kit JSS-KIT-062 | 48 |
| JSS Sawstop Logo Label Service Kit JSS-KIT-063 | 49 |
| JSS Tilt Adjust Label JSS-KIT-064 | 50 |

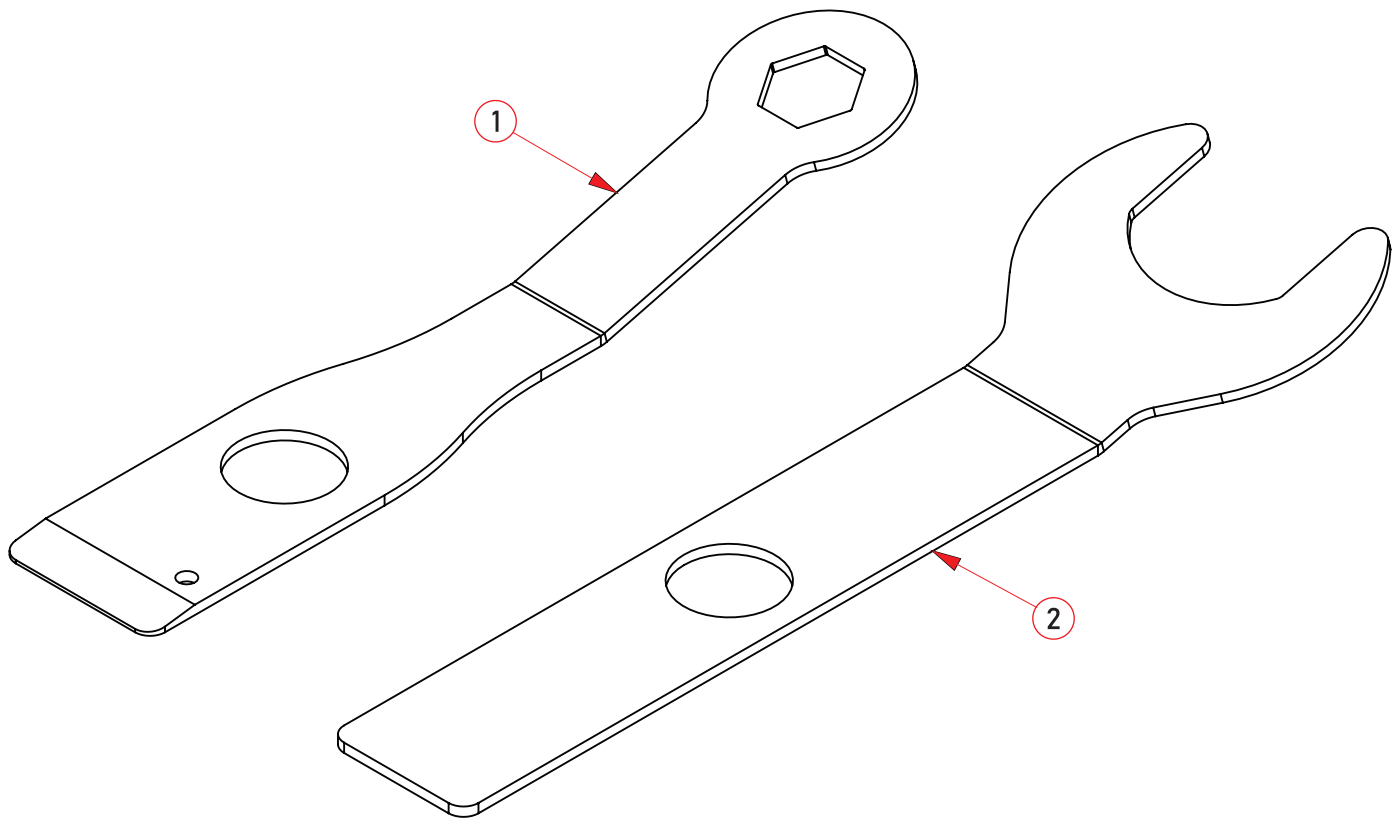
Table and Fence

| | |
|--|----|
| JSS Front Rail Assembly Service Kit JSS-KIT-009 | 51 |
| JSS Rail Lock Assembly Service Kit JSS-KIT-011 | 52 |
| JSS Table Insert Latch Service Kit JSS-KIT-012. | 53 |
| JSS Fence Assembly Service Kit JSS-KIT-016. | 54 |
| JSS Table Insert Service Kit JSS-KIT-025 | 55 |
| JSS Low Fence Service Kit JSS-KIT-026. | 56 |
| JSS Fence Indicator Lens Service Kit JSS-KIT-029. | 57 |
| JSS Rear Rail Assembly Service Kit JSS-KIT-030 | 58 |
| JSS Extension Wing Kit Service Kit JSS-KIT-031 | 59 |
| JSS Front Rail Mount Pad Pack Service Kit JSS-KIT-032. | 60 |
| JSS Rear Rail Mount Pad Pack Service Kit JSS-KIT-038 | 61 |
| JSS Table Insert Locking And Leveling Screws Service Kit JSS-KIT-048 | 62 |
| JSS Europe / UK Ruler Service Kit JSS-KIT-053 | 63 |

JSS Wrench Pack Service Kit

Part Number: JSS-KIT-008

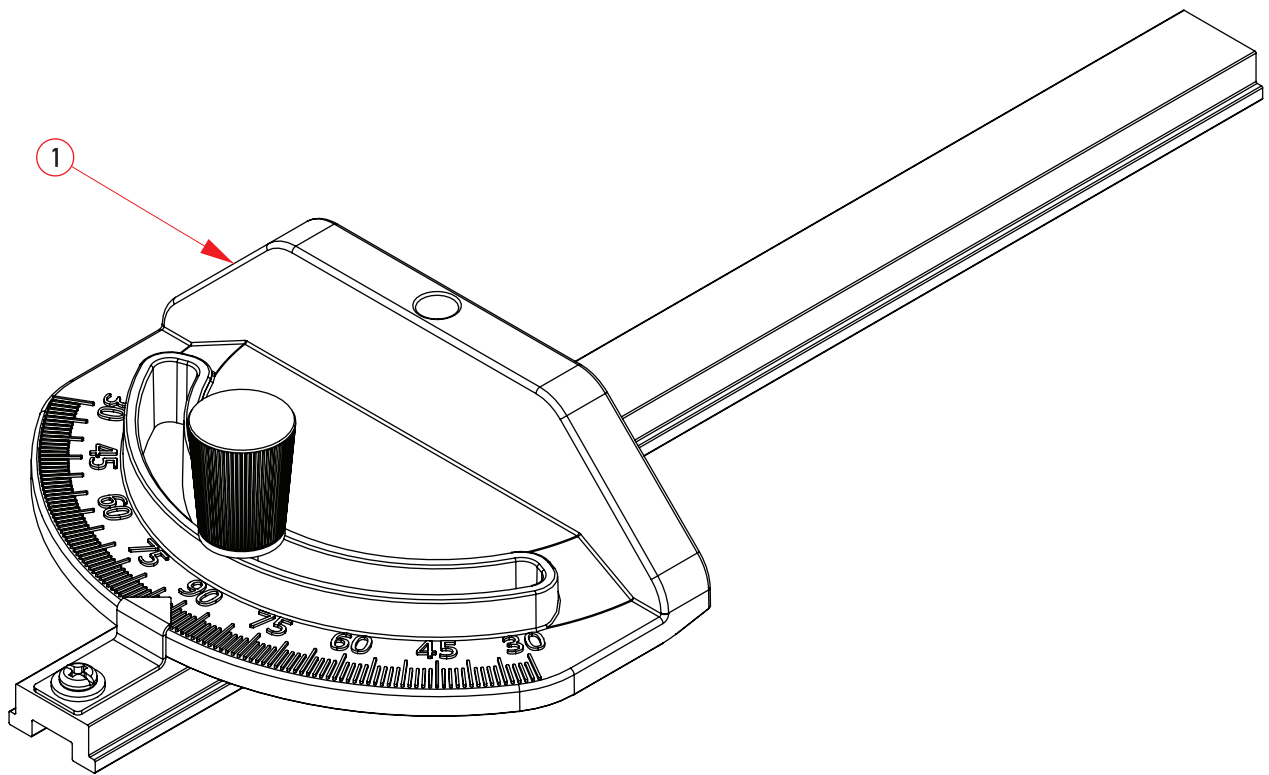
Europe and UK Version



| BILL OF MATERIALS | | |
|-------------------|------------------------------|-----|
| ITEM NO. | DESCRIPTION | QTY |
| 1 | Wrench, Arbor Nut, JSS-CE | 1 |
| 2 | Wrench, Arbor Flange, JSS-CE | 1 |

JSS Miter Gauge Assembly Service Kit

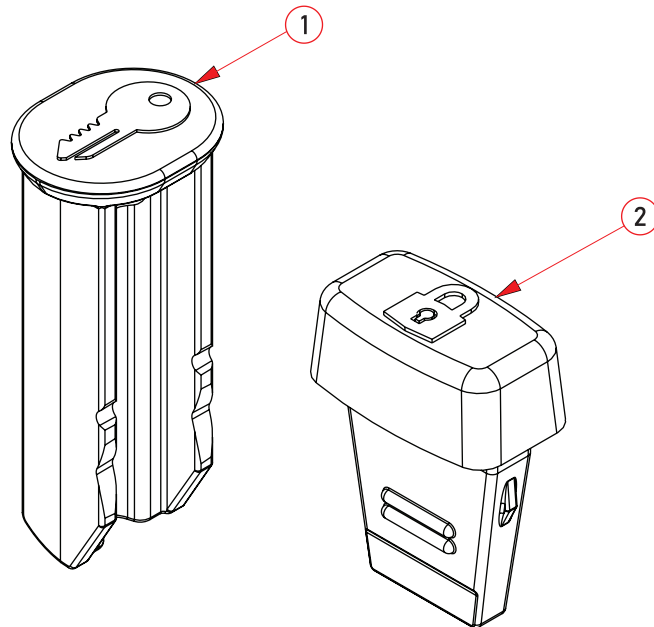
Part Number: JSS-KIT-014



| BILL OF MATERIALS | | |
|-------------------|----------------------------|-----|
| ITEM NO. | DESCRIPTION | QTY |
| 1 | Miter Gauge, Assembly, JSS | 1 |

JSS Switchbox Lockout Keys Service Kit

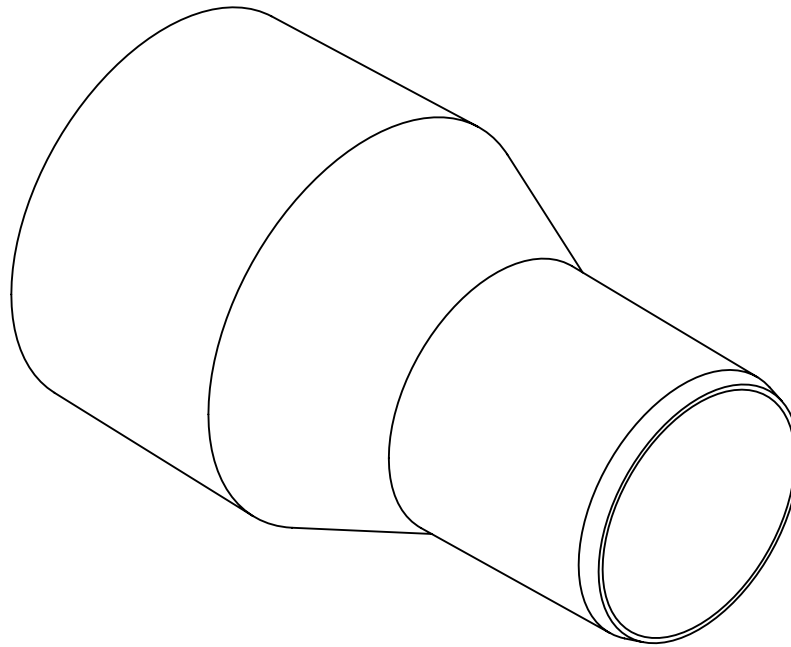
Part Number: JSS-KIT-020



| BILL OF MATERIALS | | |
|-------------------|---|-----|
| ITEM NO. | DESCRIPTION | QTY |
| 1 | Key, Bypass, Switch, JSS | 1 |
| 2 | Switch, Plug, Lock, On-Off, Power, JSS-CE | 1 |

JSS Dust Port Adapter Service Kit

Part Number: JSS-KIT-042



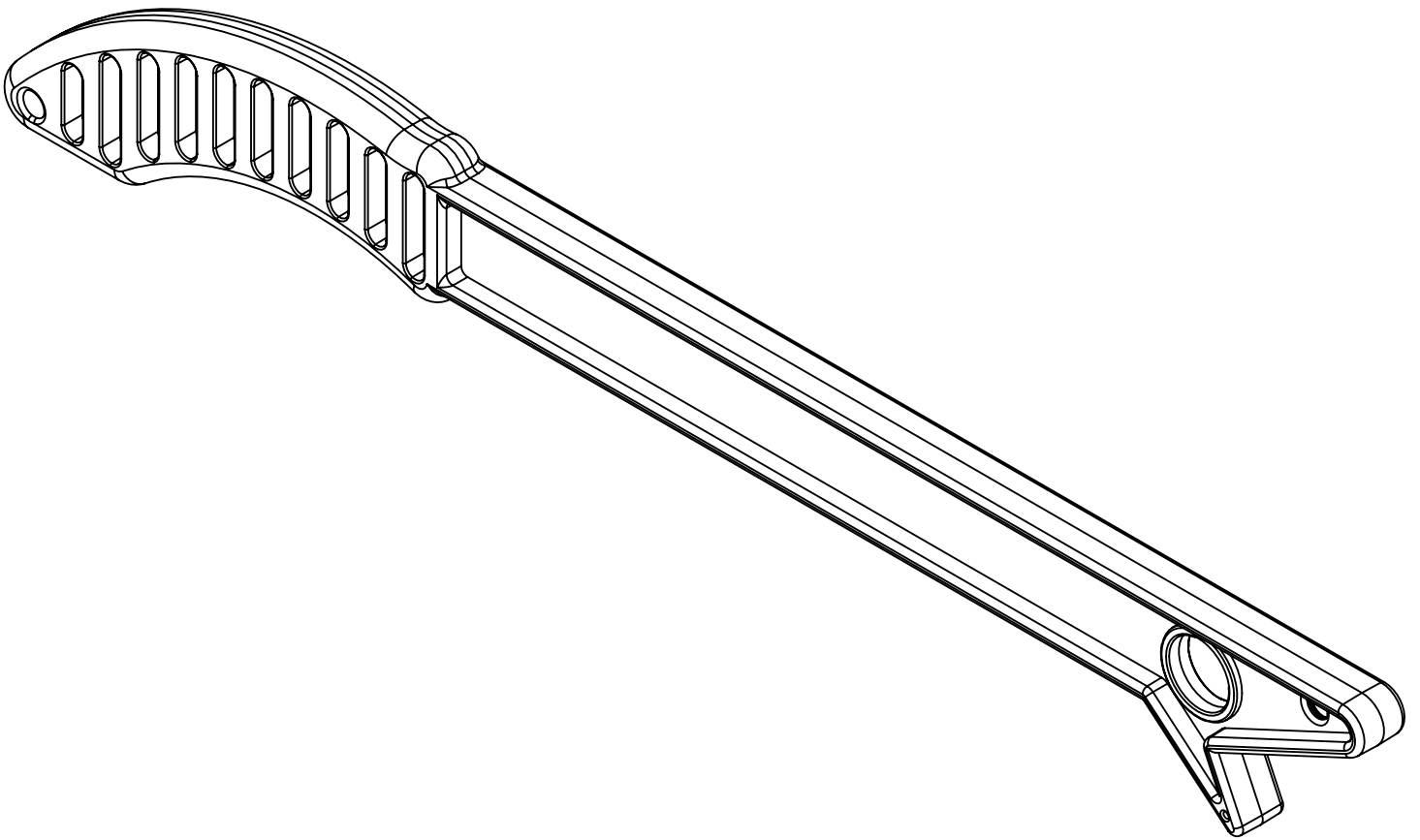
BILL OF MATERIALS

| ITEM NO. | DESCRIPTION | QTY |
|----------|-------------------------------|-----|
| 1 | Adapter, Dust Port, 58mmx36mm | 1 |



JSS Push Stick, Replacement

Part Number: JSS-KIT-045

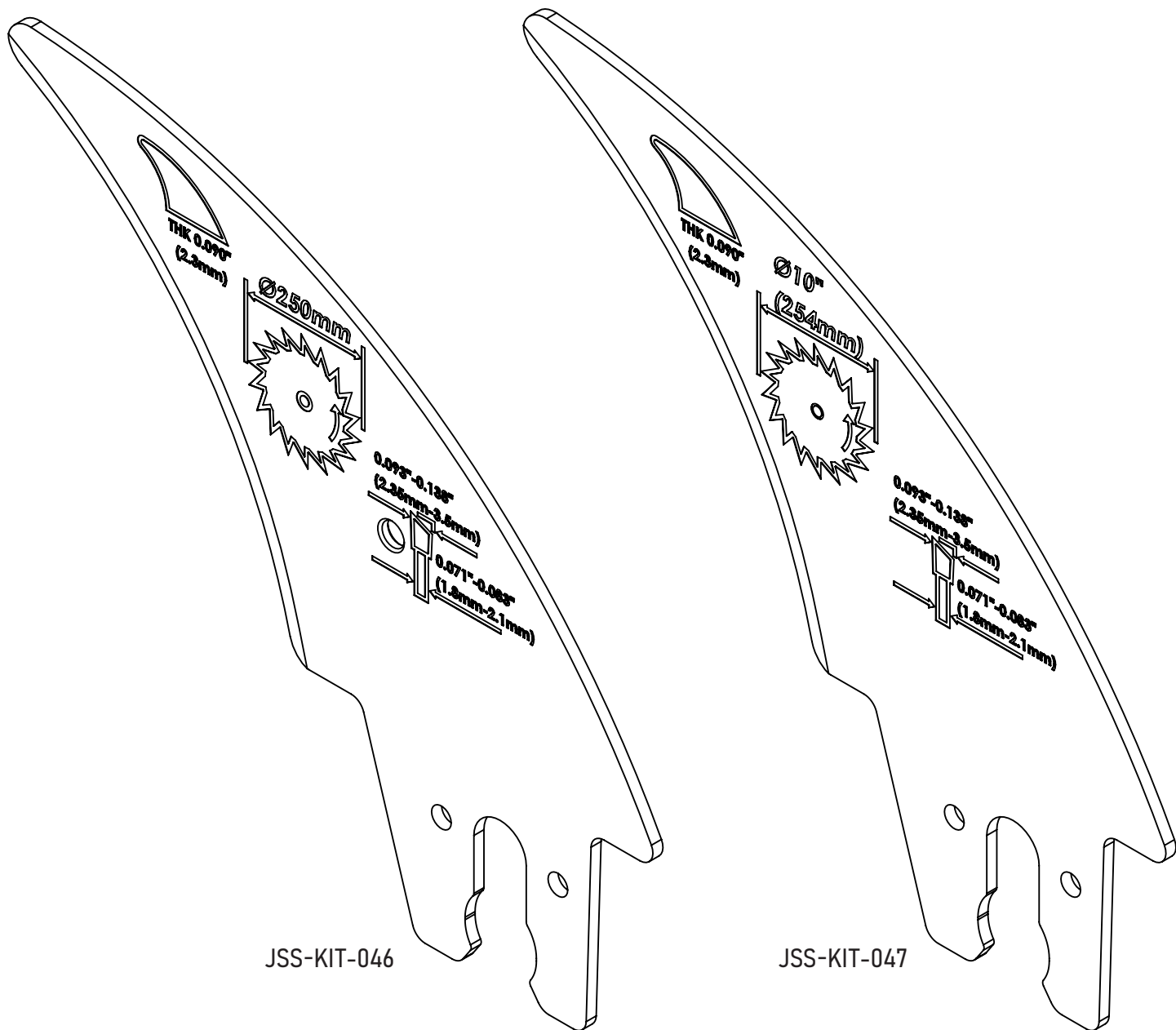


BILL OF MATERIALS

| ITEM NO. | DESCRIPTION | QTY |
|----------|-----------------|-----|
| 1 | Push Stick, JSS | 1 |

JSS Riving Knife Service Kit

Part Number: JSS-KIT-046 (For use with 250mm blades only)
 JSS-KIT-047 (For use with 10" blades only)

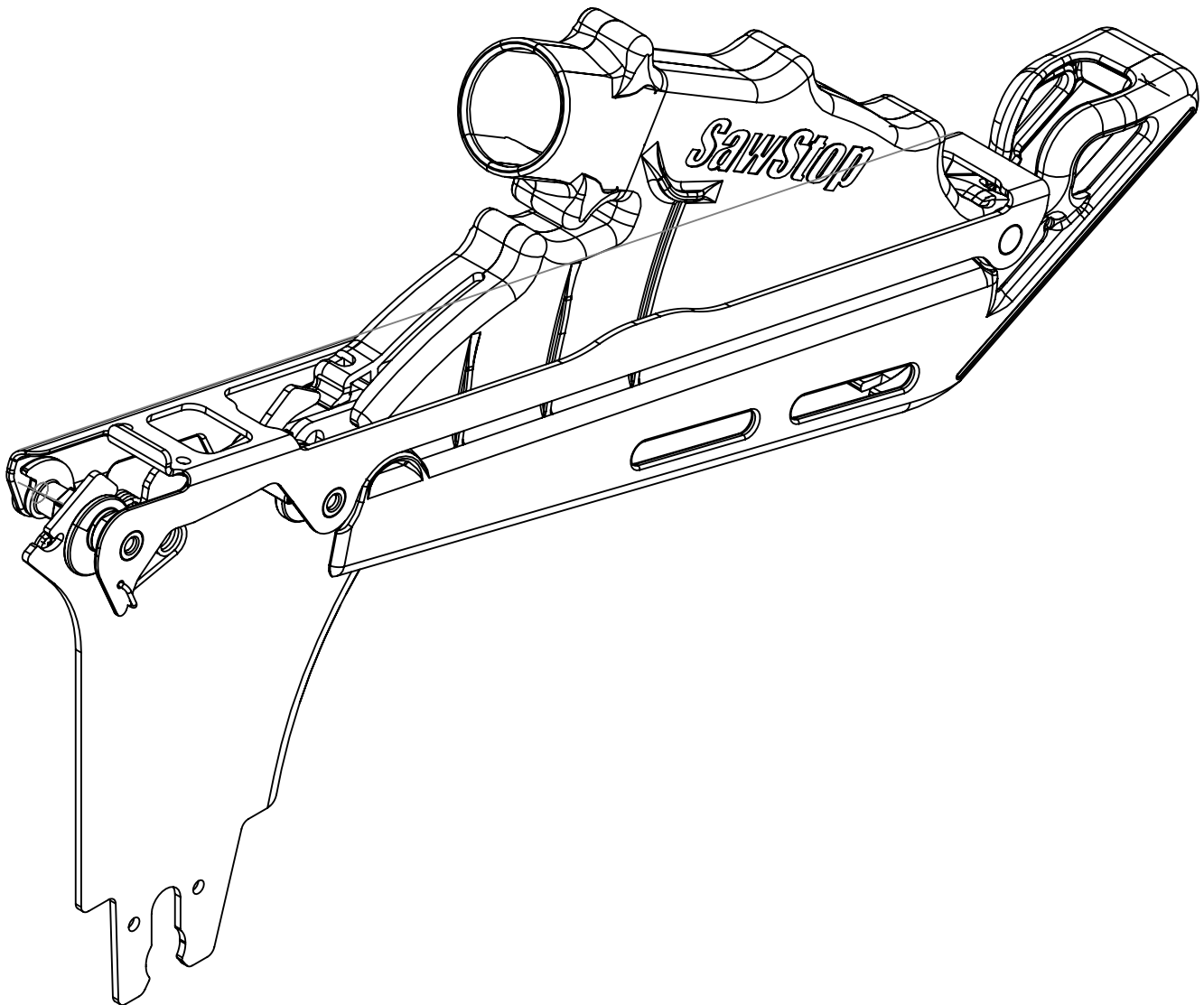


BILL OF MATERIALS

| ITEM NO. | DESCRIPTION | QTY |
|----------|----------------------------|-----|
| 1 | Knife, Riving, 2.3mm, JSS2 | 1 |

JSS Blade Guard Service Assembly

Part Number: JSS-KIT-049

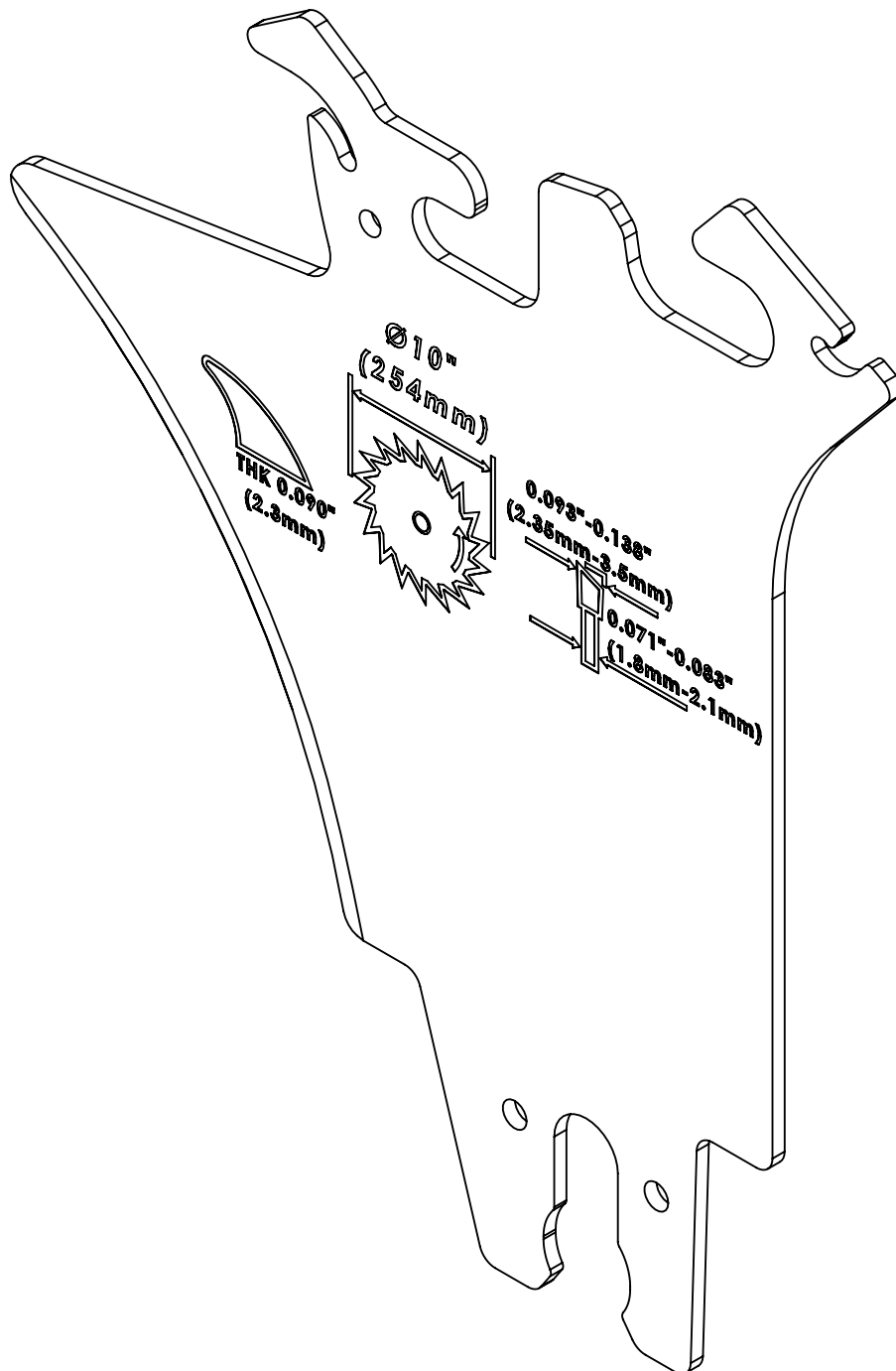


BILL OF MATERIALS

| ITEM NO. | DESCRIPTION | QTY |
|----------|--|-----|
| 1 | Blade Guard, Assembly, Removable Dust Collection, JSS-CE | 1 |

JSS Spreader Service Kit

Part Number: JSS-KIT-050

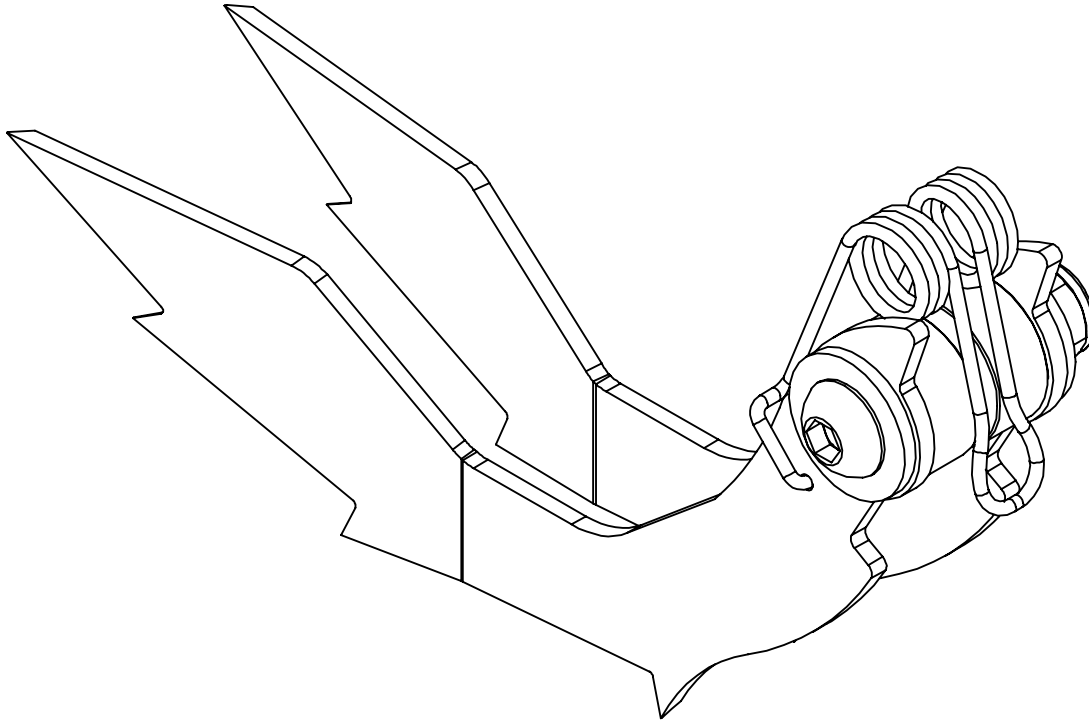


BILL OF MATERIALS

| ITEM NO. | DESCRIPTION | QTY |
|----------|---|-----|
| 1 | Spreader, Removable Dust Collection Blade Guard, 10 Inch, JSS-RDC | 1 |

Anti-Kickback Pawl Assembly

Part Number: JSS-KIT-065

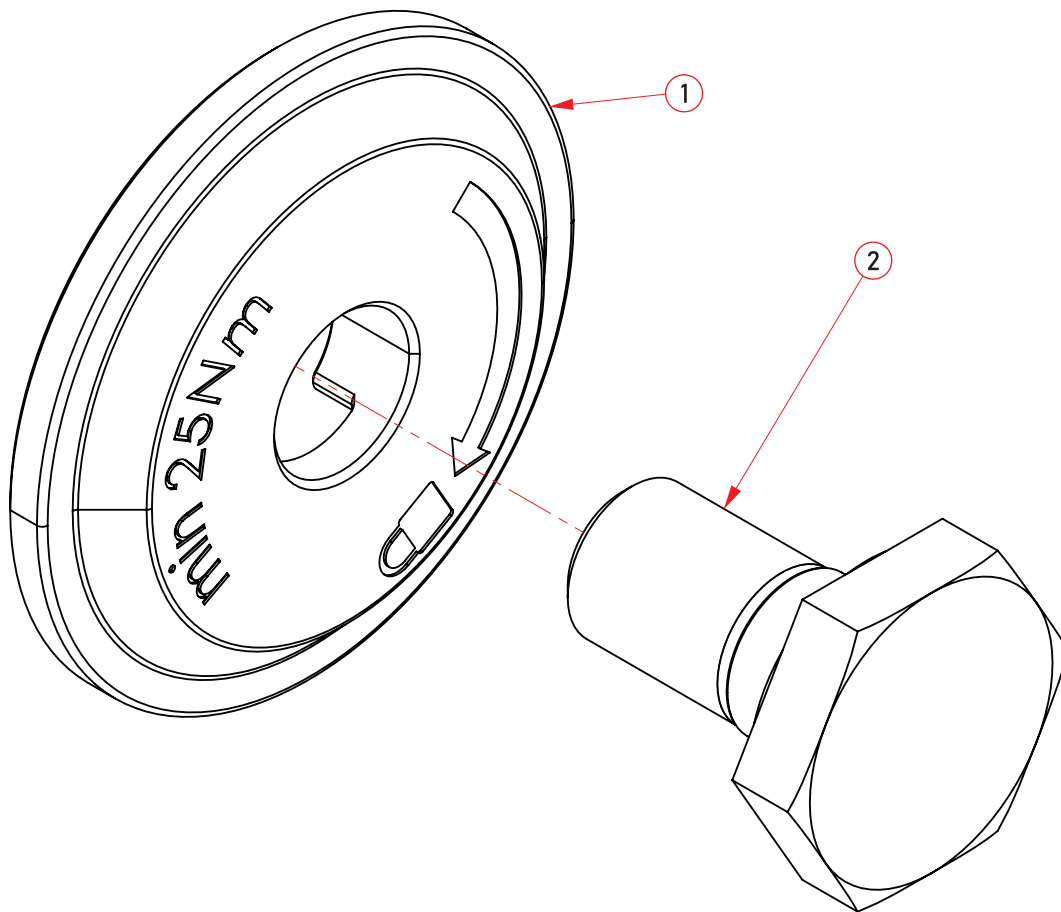


BILL OF MATERIALS

| ITEM NO. | DESCRIPTION | QTY |
|----------|------------------------------------|-----|
| 1 | Anti-Kickback Pawl, Assembly, JSS2 | 1 |

JSS Arbor Washer and Nut Service Kit

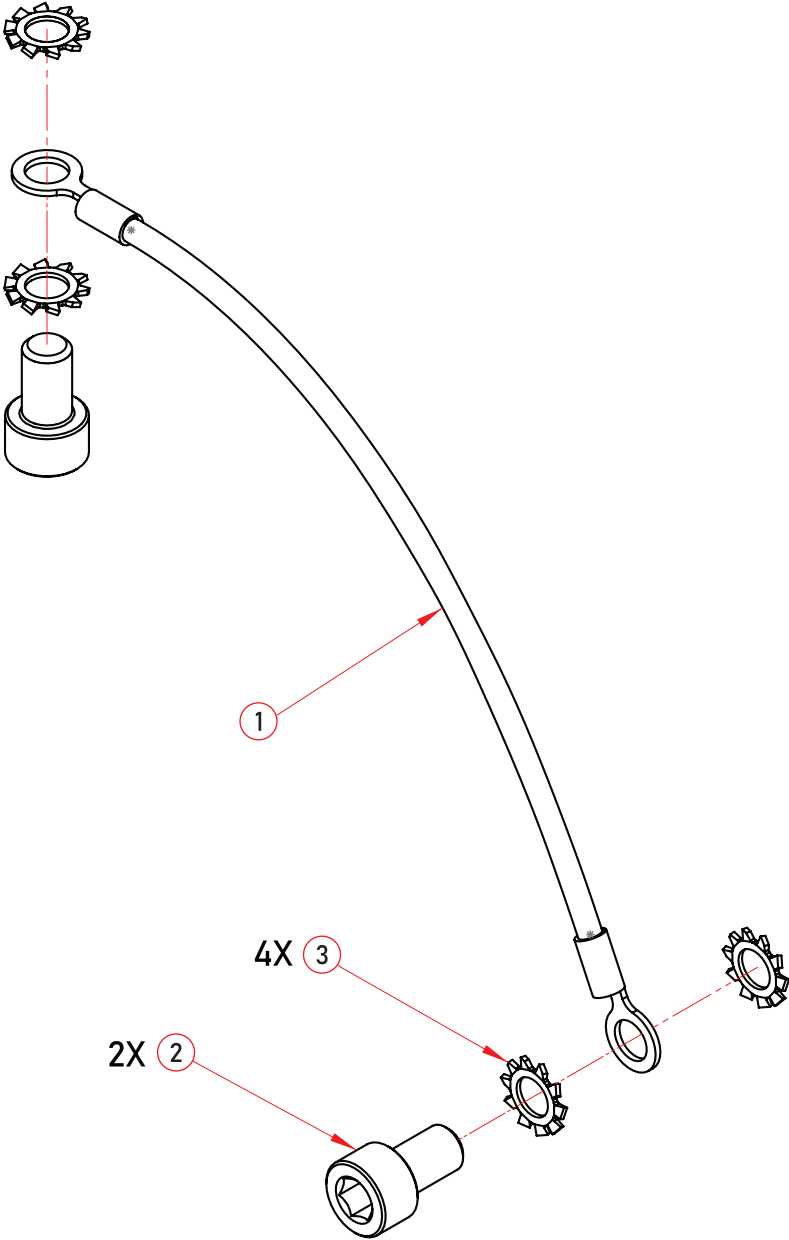
Part Number: JSS-KIT-066



| BILL OF MATERIALS | | |
|-------------------|---|-----|
| ITEM NO. | DESCRIPTION | QTY |
| 1 | Washer, 30mm, Arbor, JSS CE | 1 |
| 2 | Bolt, Blade, M12x1.25x16.23mm, Hex Head, JSS2 | 1 |

JSS Grounding Wire Service Kit

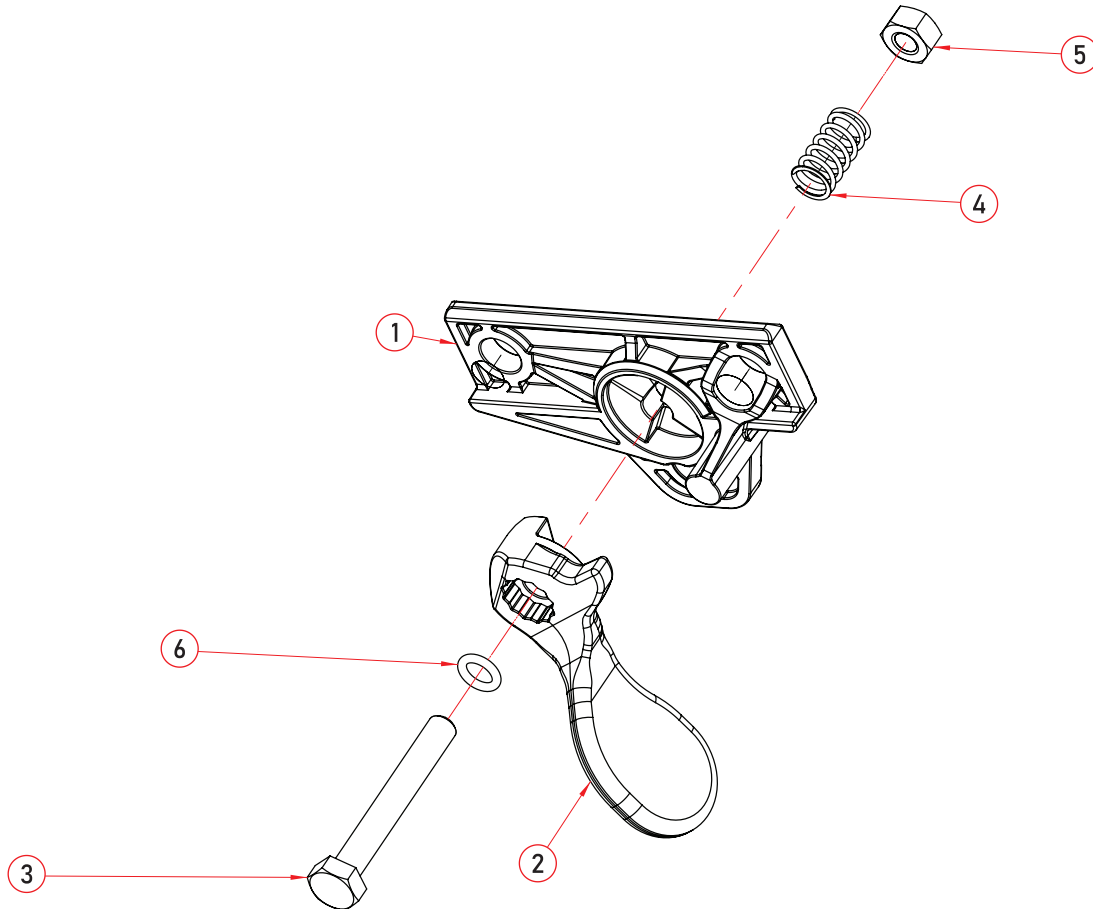
Part Number: JSS-KIT-001



| BILL OF MATERIALS | | |
|-------------------|---|-----|
| ITEM NO. | DESCRIPTION | QTY |
| 1 | Wire, Trunnion Grounding, JSS | 1 |
| 2 | Bolt, M5x0.8, 10mm, Loctite, Socket Head Cap | 2 |
| 3 | Washer, M5, External Tooth, Lock, Silver Zinc | 4 |

JSS Riving Knife Clamp Service Kit

Part Number: JSS-KIT-002



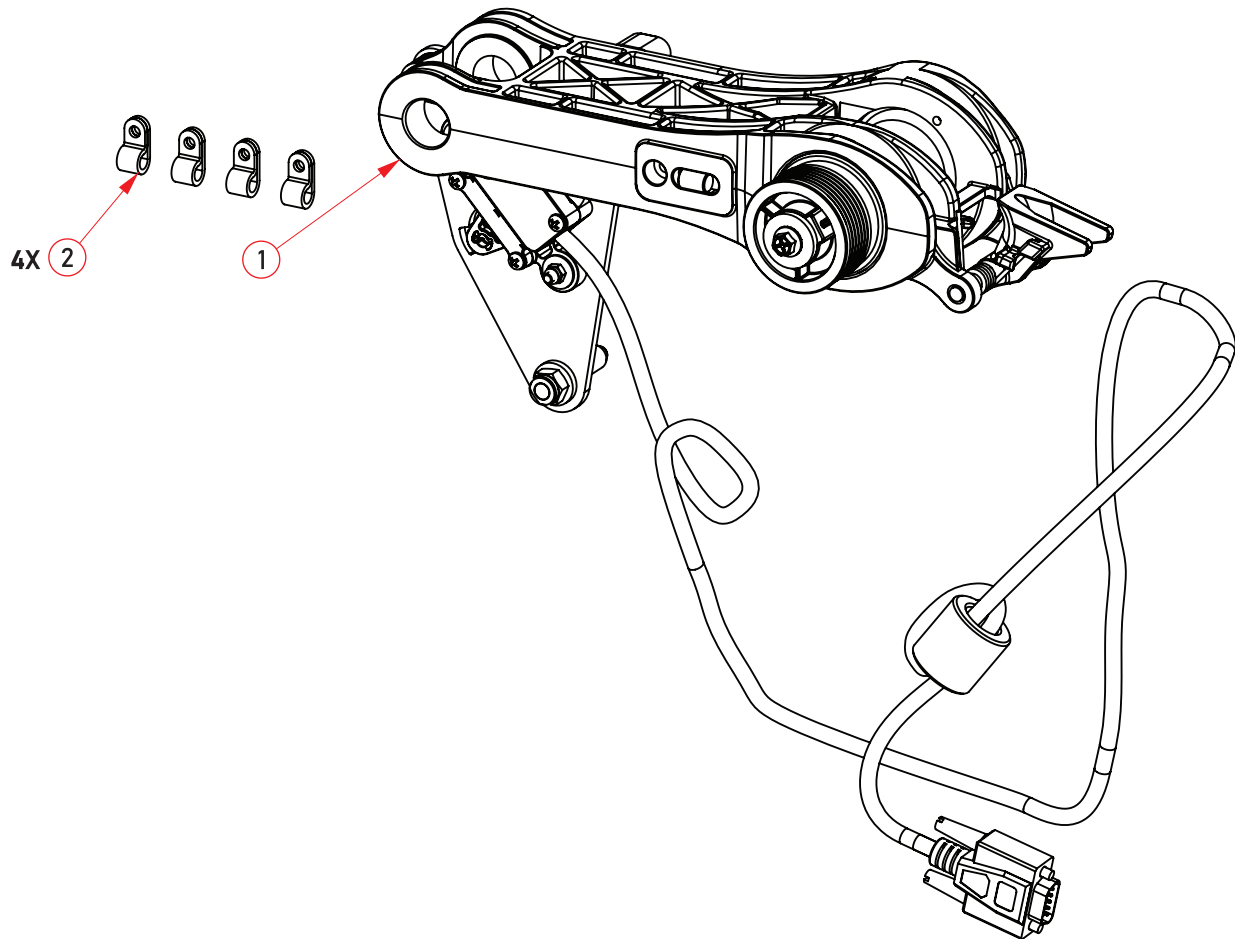
BILL OF MATERIALS

| ITEM NO. | DESCRIPTION | QTY |
|----------|---|-----|
| 1 | Plate, Spreader, Clamp, JSS | 1 |
| 2 | Handle, Spreader, Clamp, JSS | 1 |
| 3 | Bolt, M6x1.0, 45mm, Hex Head, Black Zinc | 1 |
| 4 | Spring, Spreader Clamping, Compression, JSS | 1 |
| 5 | Nut, M6x1.0 | 1 |
| 6 | O-Ring, Polyurethane, 6mm ID, 1.75mm THK | 1 |

JSS Arbor Block Assembly Service Kit

Part Number: JSS-KIT-003

Europe and UK Version

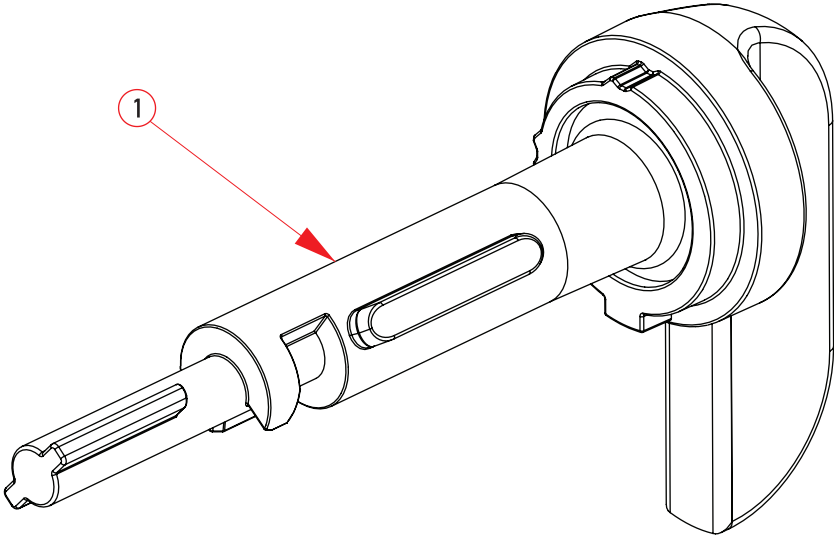


BILL OF MATERIALS

| ITEM NO. | DESCRIPTION | QTY |
|----------|--|-----|
| 1 | Arbor Block Assembly, JSS-CE | 1 |
| 2 | Clamp, Cable Retaining, 6.3mm, Plastic | 4 |

JSS Cartridge Key Assembly, Replacement

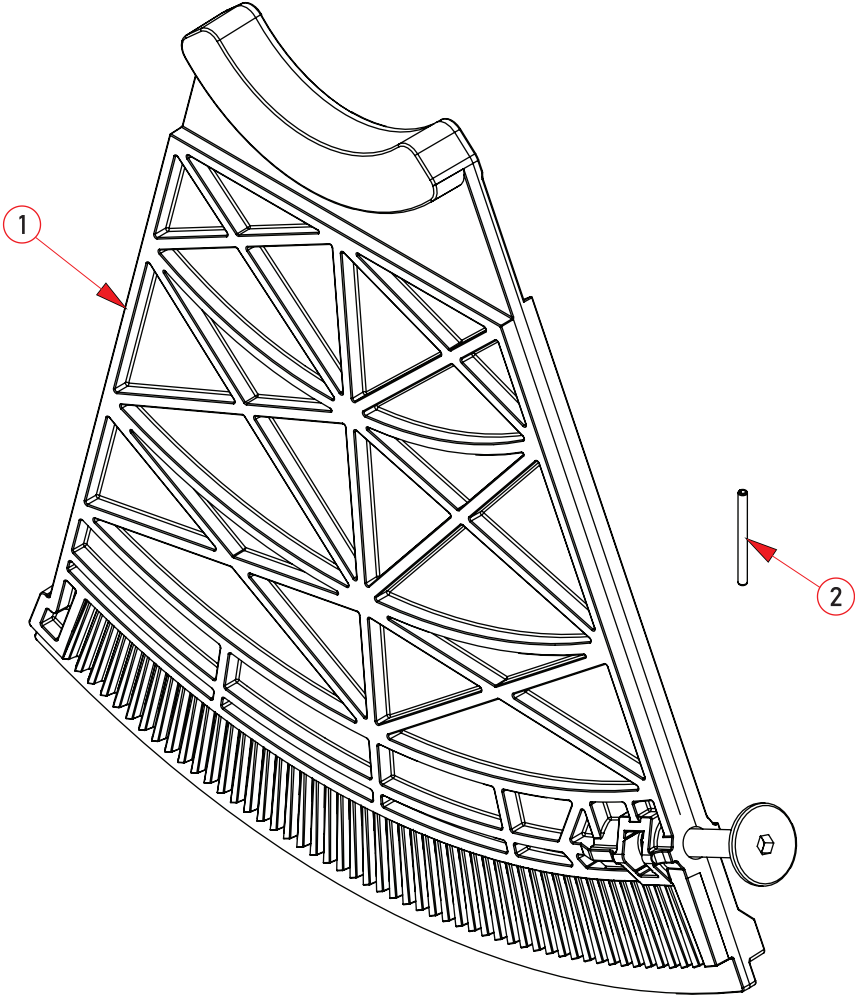
Part Number: JSS-KIT-010



| BILL OF MATERIALS | | |
|-------------------|------------------------------|-----|
| ITEM NO. | DESCRIPTION | QTY |
| 1 | Cartridge Key, Assembly, ICS | 1 |

JSS Tilt Angle Rack Service Kit

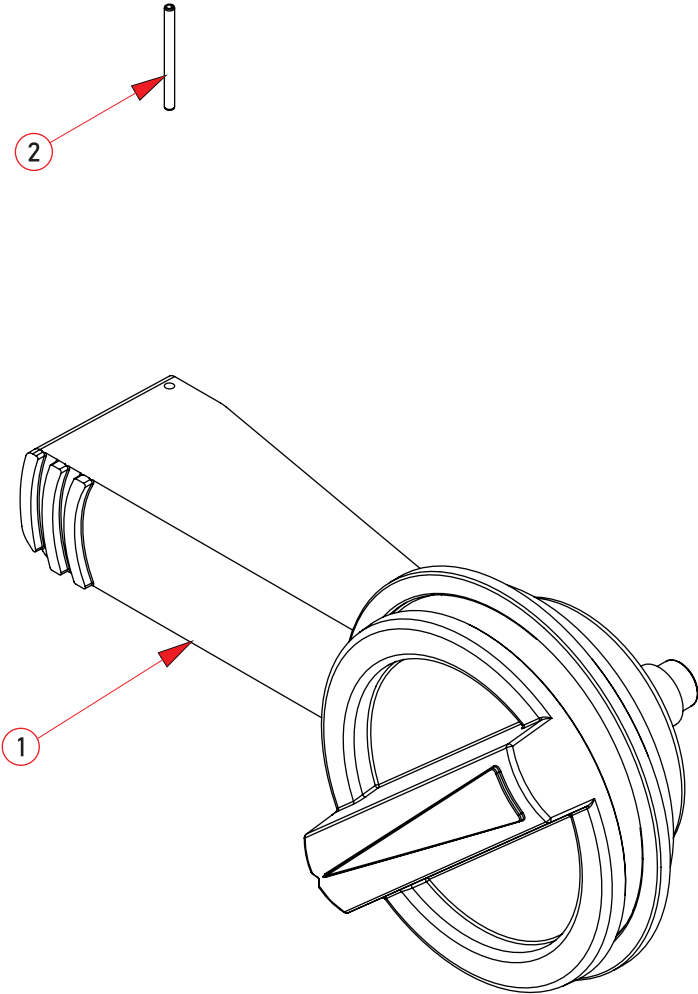
Part Number: JSS-KIT-017



| BILL OF MATERIALS | | |
|-------------------|-------------------------------|-----|
| ITEM NO. | DESCRIPTION | QTY |
| 1 | Tilt Angle Rack Assembly, JSS | 1 |
| 2 | Pin, Spring, 2x24 | 1 |

JSS Micro Adjust Assembly Service Kit

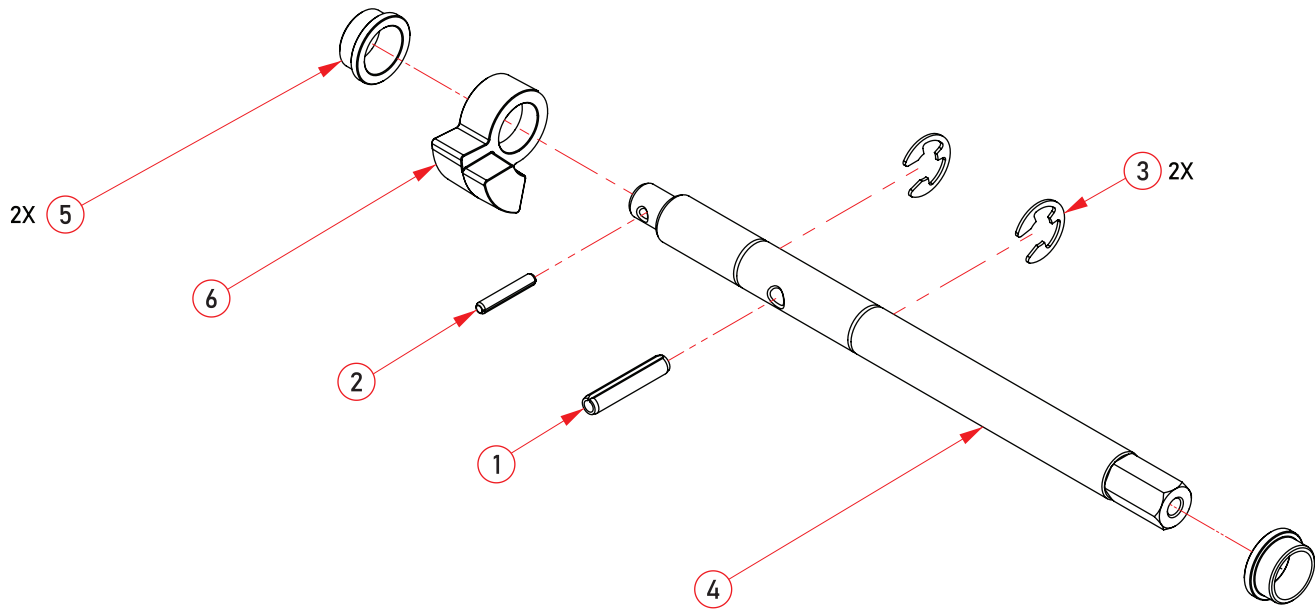
Part Number: JSS-KIT-018



| BILL OF MATERIALS | | |
|-------------------|-----------------------------------|-----|
| ITEM NO. | DESCRIPTION | QTY |
| 1 | Tilt Assembly, Micro-Adjust, JSS2 | 1 |
| 2 | Pin, Spring, 2x24 | 1 |

JSS Elevation Input Shaft Service Kit

Part Number: JSS-KIT-019

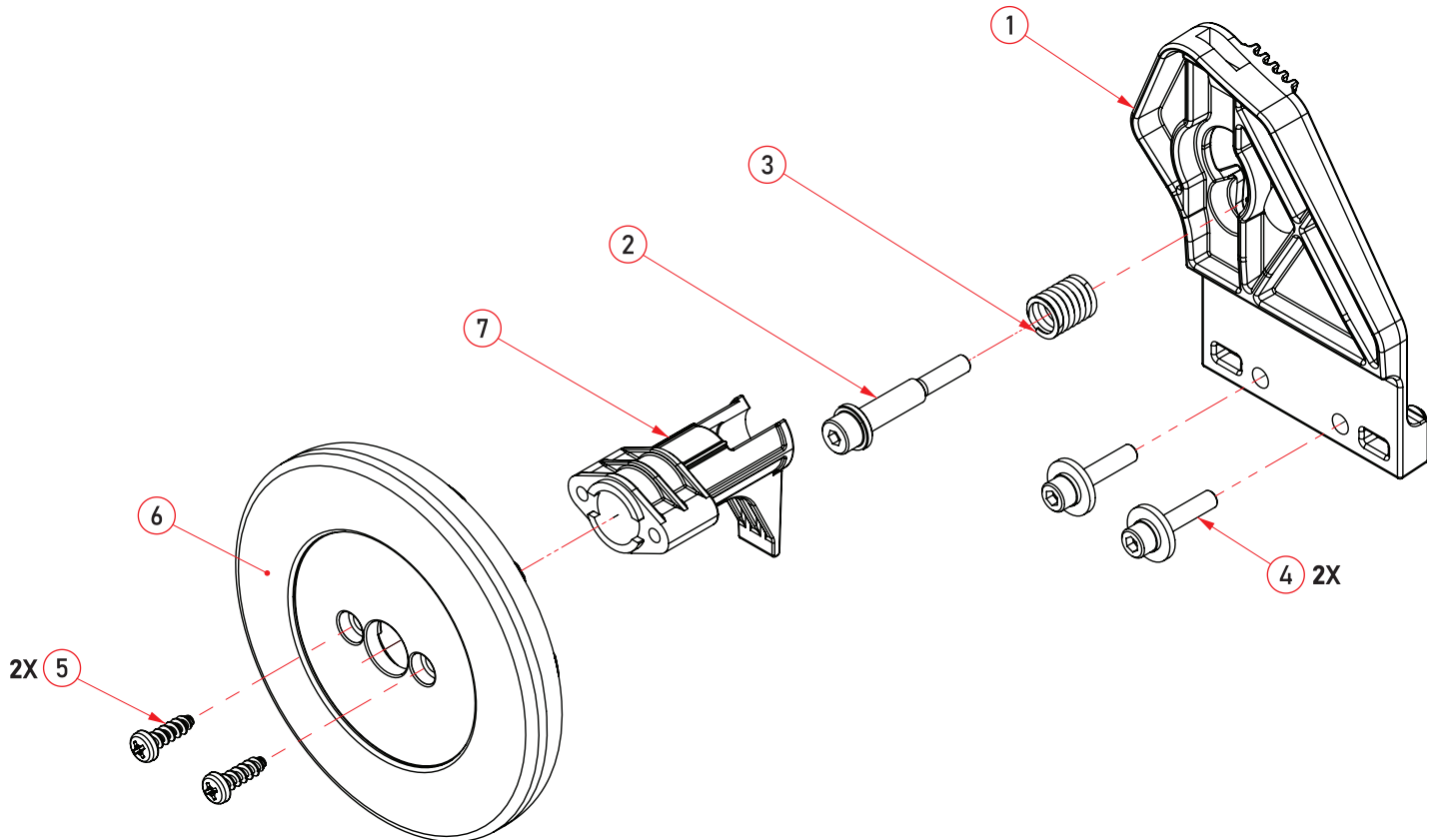


BILL OF MATERIALS

| ITEM NO. | DESCRIPTION | QTY |
|----------|-------------------------------------|-----|
| 1 | Pin, Spring, 5x28, Black Zinc | 1 |
| 2 | Pin, Spring, 3x20 | 1 |
| 3 | Retaining Ring, E-Style, 14mm | 2 |
| 4 | Shaft, Elevation Control Input, JSS | 1 |
| 5 | Bushing, 14ID 17OD 6L, JSS | 2 |
| 6 | Collar, Elevation Limit Stop, JSS | 1 |

JSS Tilt Lock Kit Service Kit

Part Number: JSS-KIT-021

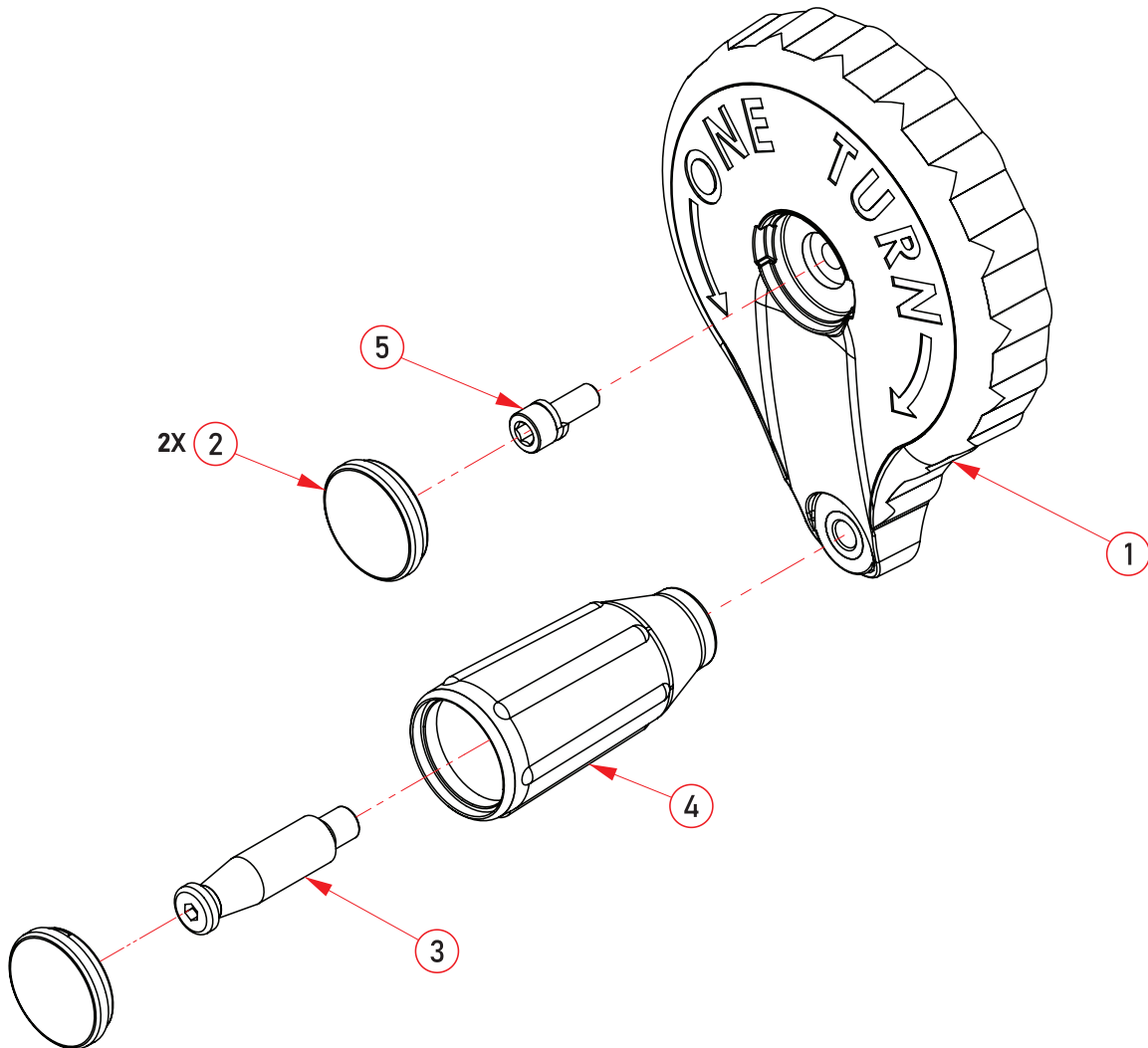


BILL OF MATERIALS

| ITEM NO. | DESCRIPTION | QTY |
|----------|--|-----|
| 1 | Plate, Lock, Tilt Angle, JSS | 1 |
| 2 | Bolt, Shoulder, 7mm ODx23mm, M5x0.8, Socket | 1 |
| 3 | Spring, Tilt Lock, JSS | 1 |
| 4 | Bolt, M5x0.8, 25mm, Lock Washer, Flat Washer, Socket Head Cap, Silver Zinc | 2 |
| 5 | Screw, M5x1.59, 16mm, Pan Head, Phillips, Thread Cutting, Silver Zinc | 2 |
| 6 | Handle, Tilt Lock, JSS | 1 |
| 7 | Sleeve, Tilt Lock, JSS | 1 |

JSS Elevation Wheel Kit Service Kit

Part Number: JSS-KIT-022

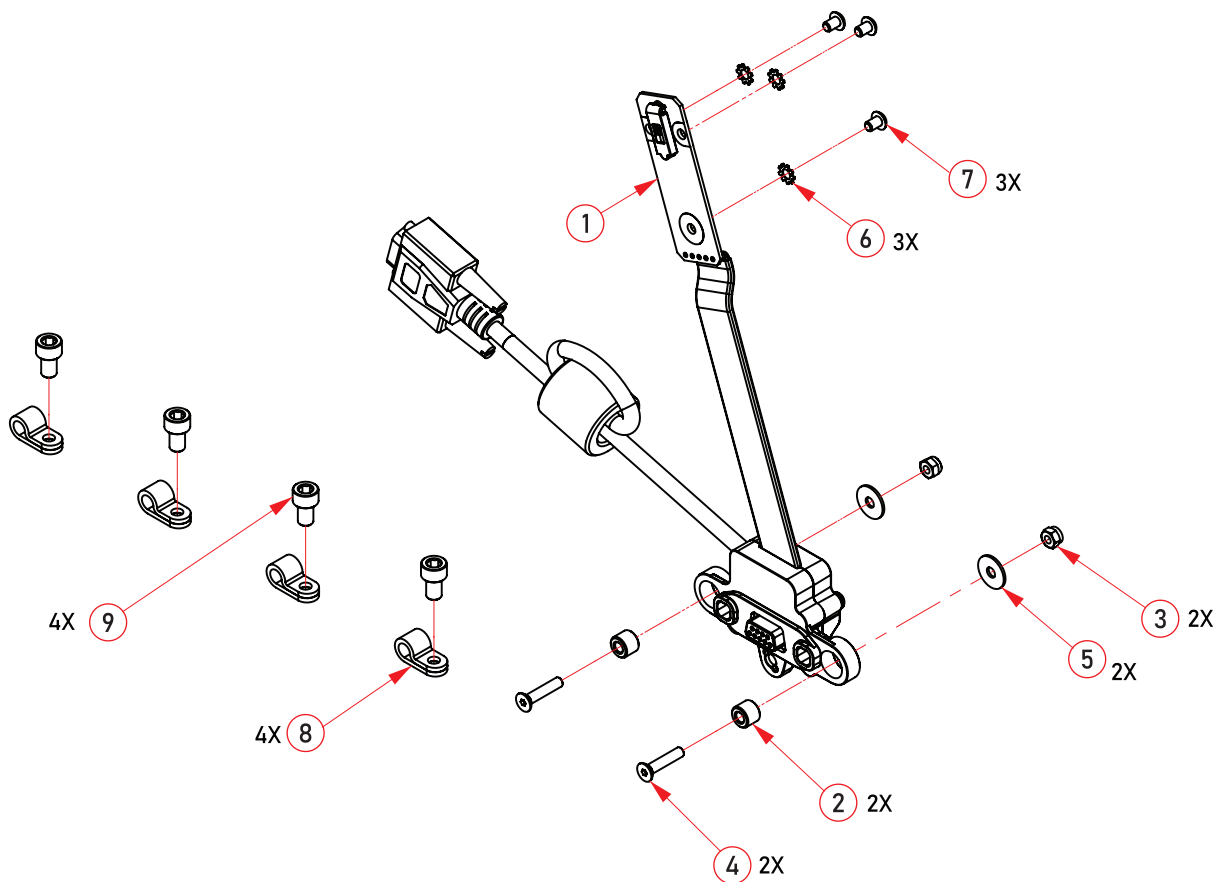


BILL OF MATERIALS

| ITEM NO. | DESCRIPTION | QTY |
|----------|---|-----|
| 1 | Handwheel, Overmold, JSS | 1 |
| 2 | Cap, Handwheel, JSS | 2 |
| 3 | Post, Handle, Handwheel, JSS | 1 |
| 4 | Handle, Handwheel, JSS | 1 |
| 5 | Bolt, M6x1.0, 16mm, Lock Washer, Loctite, Socket Head Cap | 1 |

JSS Cartridge Cable Kit Service Kit

Part Number: JSS-KIT-032

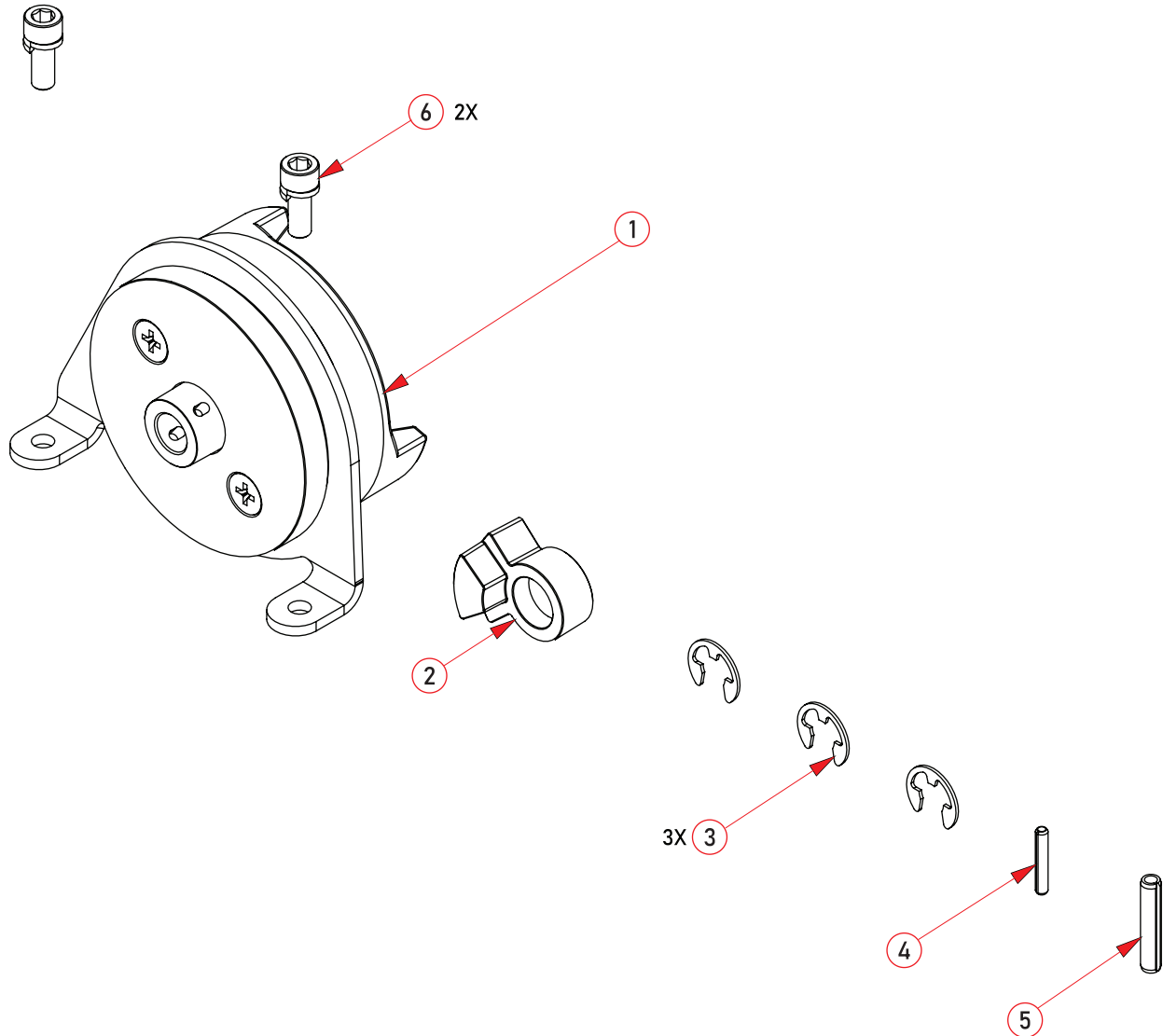


BILL OF MATERIALS

| ITEM NO. | DESCRIPTION | QTY |
|----------|---|-----|
| 1 | Cable, Cartridge, Assembly, JSS | 1 |
| 2 | Spacer, Cartridge Bracket, 4mm IDx9mm ODx7.2, ICS | 2 |
| 3 | Nut, M4x0.7, Nylok | 2 |
| 4 | Bolt, M4x0.7, 20mm, Flat Head, Socket | 2 |
| 5 | Washer, M4, Flat, 14mm ODx1mm THK, Silver Zinc | 2 |
| 6 | Washer, M4, External Tooth, Lock | 3 |
| 7 | Bolt, M4x0.7, 6mm, Loctite, Button Head, Socket | 3 |
| 8 | Clamp, Cable Retaining, 6.3mm, Plastic | 4 |
| 9 | Bolt, M5x0.8, 10mm, Loctite, Socket Head Cap | 4 |

JSS Backdrive Assembly Service Kit

Part Number: JSS-KIT-034

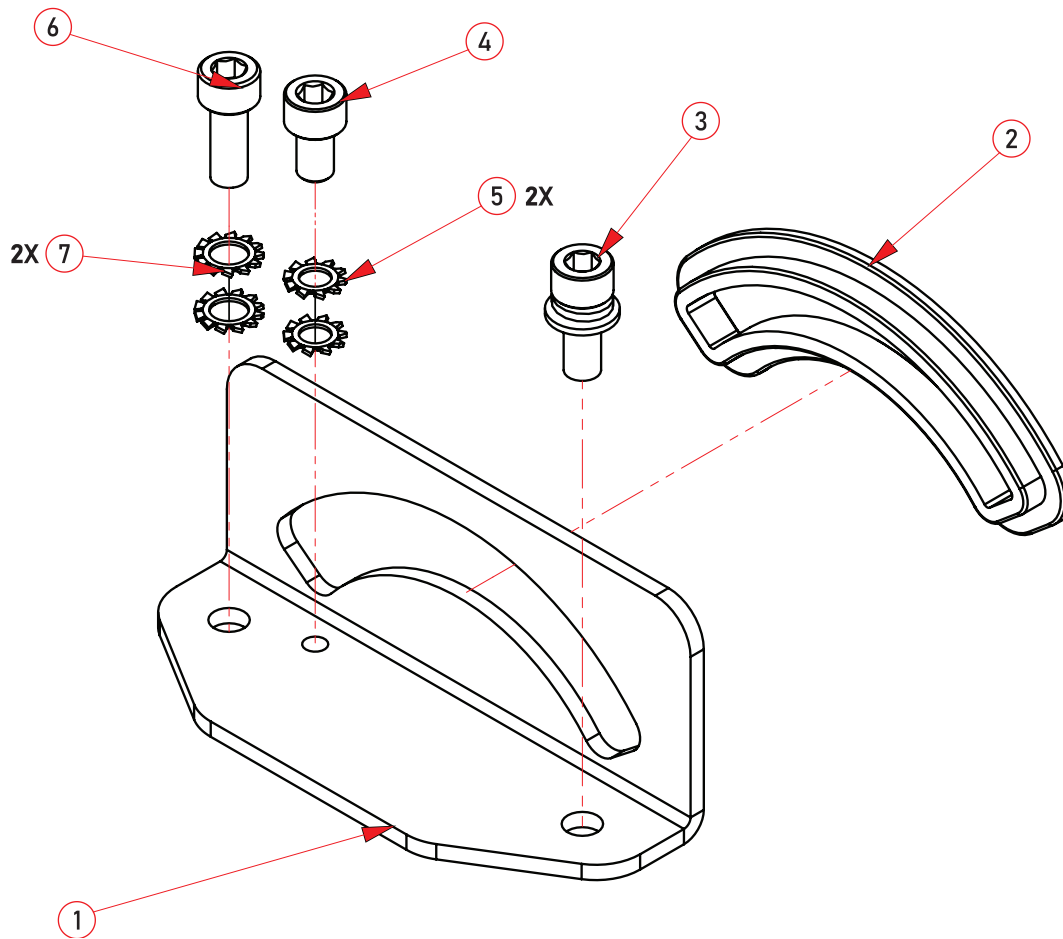


BILL OF MATERIALS

| ITEM NO. | DESCRIPTION | QTY |
|----------|---|-----|
| 1 | Backdrive Prevention Assembly, JSS | 1 |
| 2 | Collar, Elevation Limit Stop, JSS | 1 |
| 3 | Retaining Ring, E-Style, 14mm | 3 |
| 4 | Pin, Spring, 3x20 | 1 |
| 5 | Pin, Spring, 5x28, Black Zinc | 1 |
| 6 | Bolt, M6x1.0, 16mm, Lock Washer, Loctite, Socket Head Cap | 2 |

JSS Rear Trunnion Kit Service Kit

Part Number: JSS-KIT-036

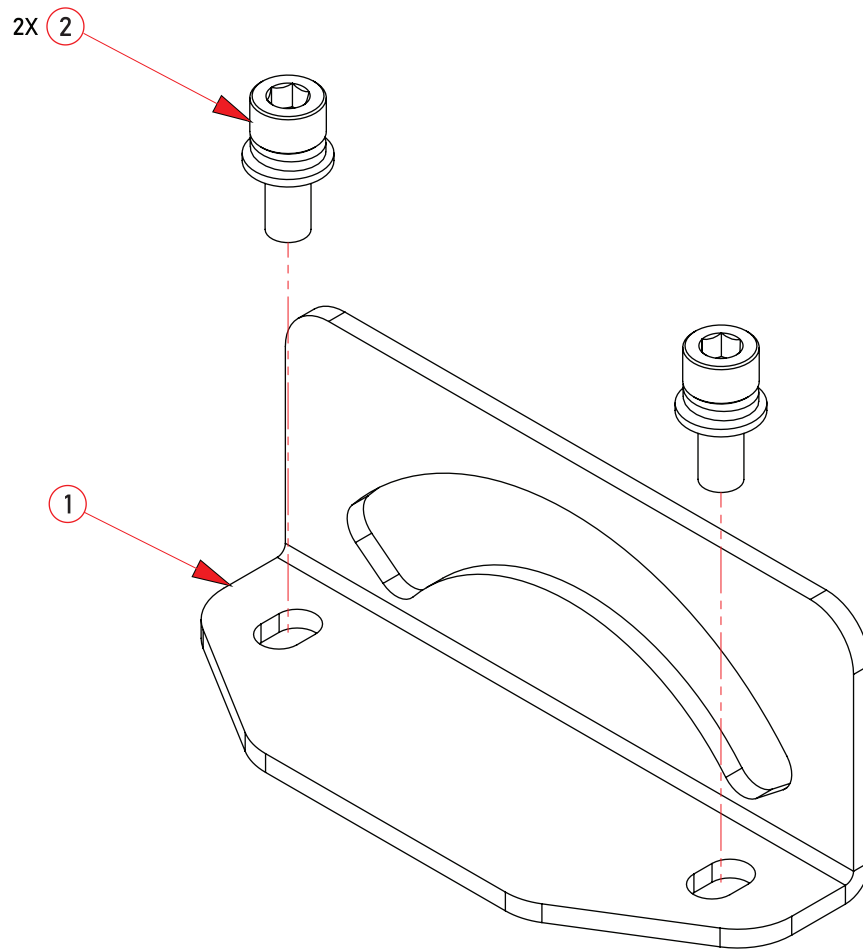


BILL OF MATERIALS

| ITEM NO. | DESCRIPTION | QTY |
|----------|--|-----|
| 1 | Bracket, Trunnion Mounting, Rear, JSS | 1 |
| 2 | Bushing, Trunnion Guide, JSS | 1 |
| 3 | Bolt, M6x1.0, 16mm, Lock Washer, Flat Washer, Loctite, Socket Head Cap | 1 |
| 4 | Bolt, M5x0.8, 10mm, Loctite, Socket Head Cap | 1 |
| 5 | Washer, M5x External Tooth, Lock, Silver Zinc | 2 |
| 6 | Bolt, M6x1.0, 16mm, Loctite, Socket Head Cap, Black Zinc | 1 |
| 7 | Washer, M6, External Tooth, Lock | 2 |

JSS Front Trunnion Service Kit

Part Number: JSS-KIT-041

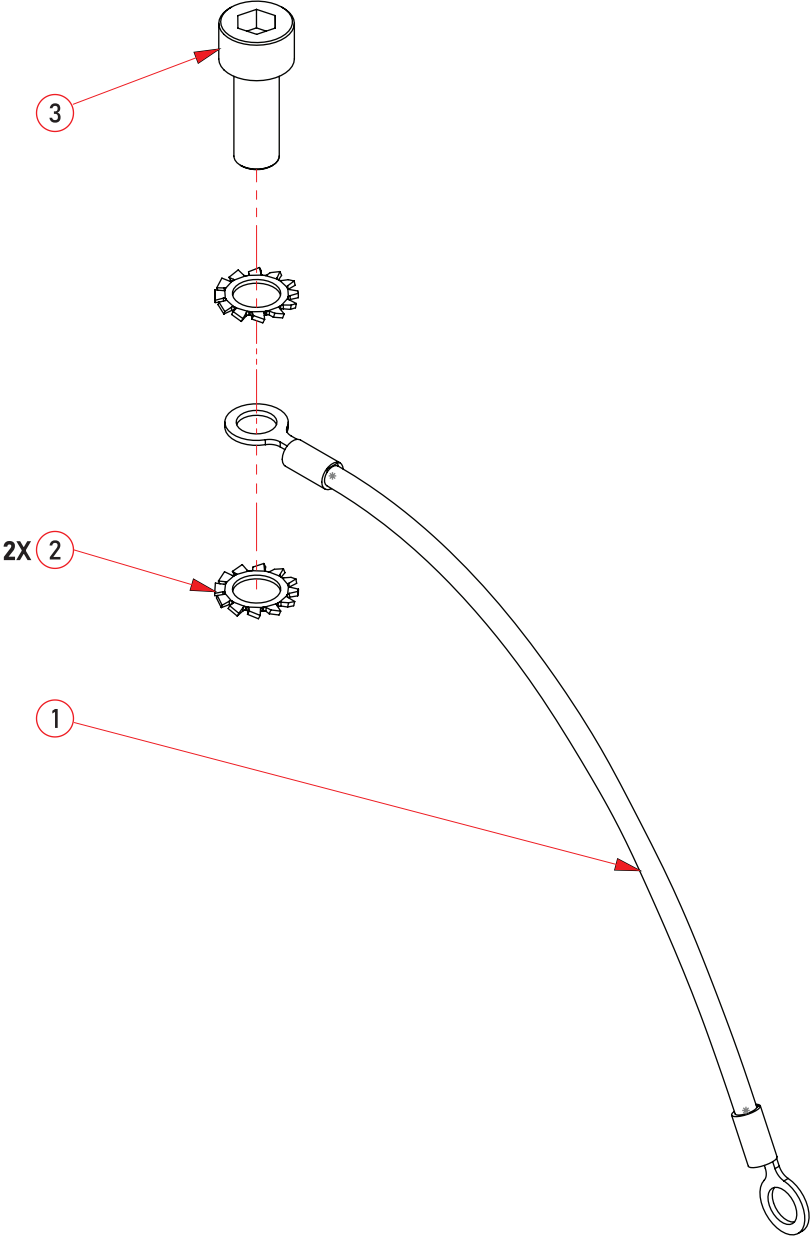


BILL OF MATERIALS

| ITEM NO. | DESCRIPTION | QTY |
|----------|--|-----|
| 1 | Bracket, Trunnion Mounting, Front, JSS | 1 |
| 2 | Bolt, M6x1.0, 16mm, Lock Washer, Flat Washer, Loctite, Socket Head Cap | 2 |

JSS Elevation Ground Service Kit

Part Number: JSS-KIT-043

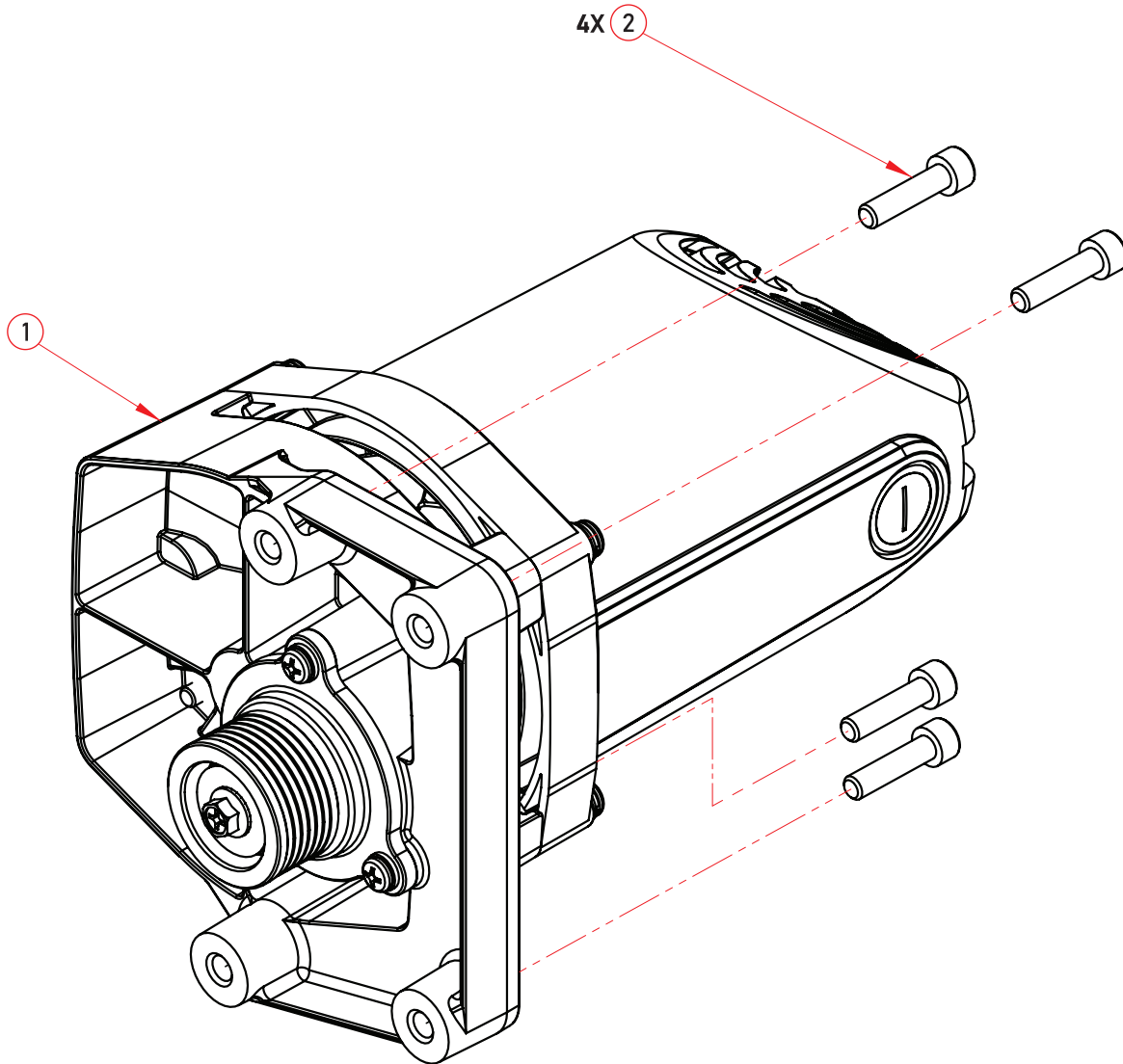


| BILL OF MATERIALS | | |
|-------------------|---|-----|
| ITEM NO. | DESCRIPTION | QTY |
| 1 | Wire Assembly, Elevation Carriage Grounding, JSS2 | 1 |
| 2 | Washer, M6, External Tooth, Lock | 2 |
| 3 | Bolt, M6x1.0, 16mm, Socket Head Cap, Black Zinc | 1 |

JSS Motor, 230V, 50HZ, Service Kit

Part Number: JSS-KIT-004

Europe and UK Version



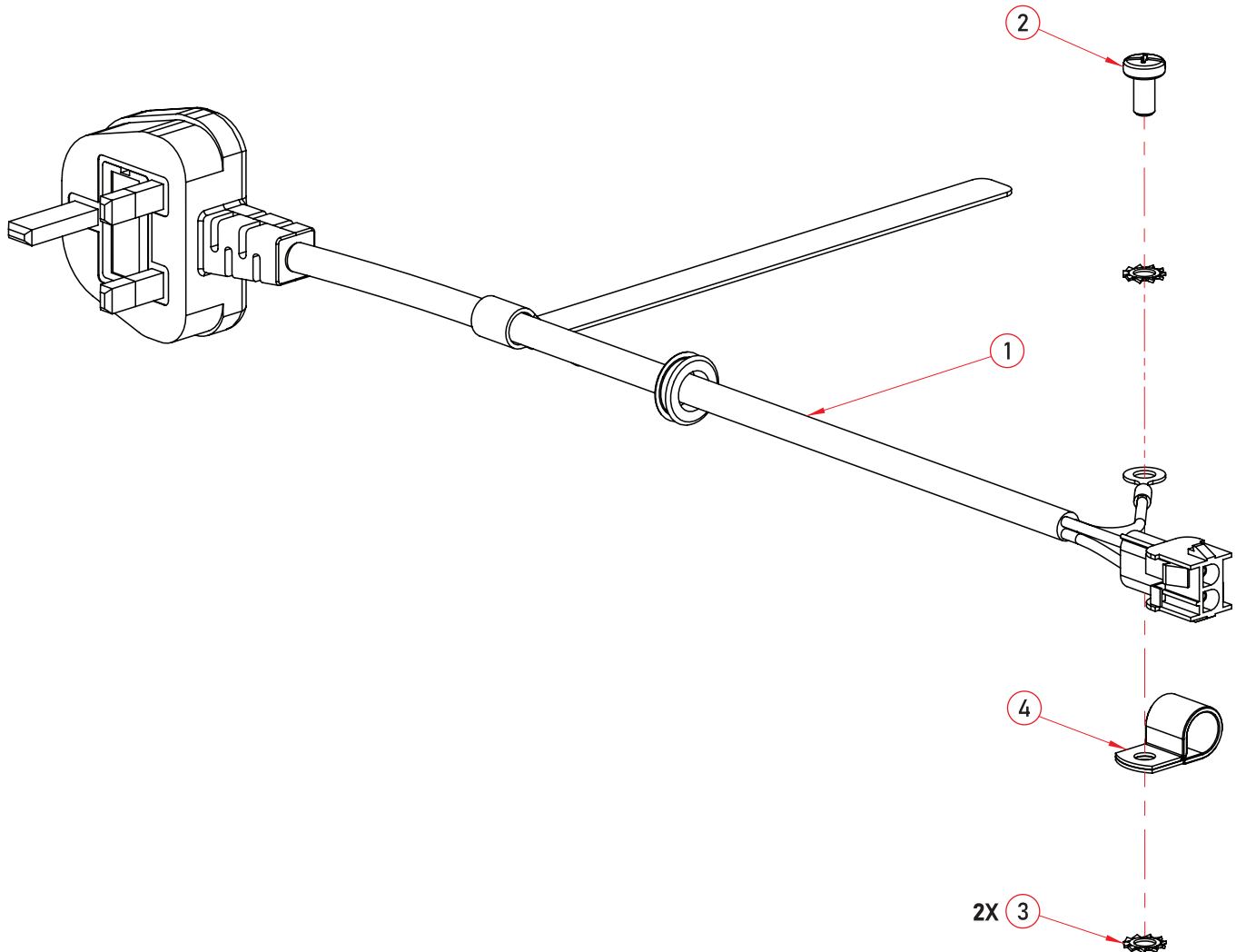
| BILL OF MATERIALS | | |
|-------------------|--|-----|
| ITEM NO. | DESCRIPTION | QTY |
| 1 | Motor, 230V, 50Hz, JSS2 | 1 |
| 2 | Bolt, M6x1.0, 25mm, Lock Washer, Socket Head Cap | 4 |

JSS Power Cable Service Kit, 230VAC-UK

Motor and Power

Part Number: JSS-KIT-006

UK Only



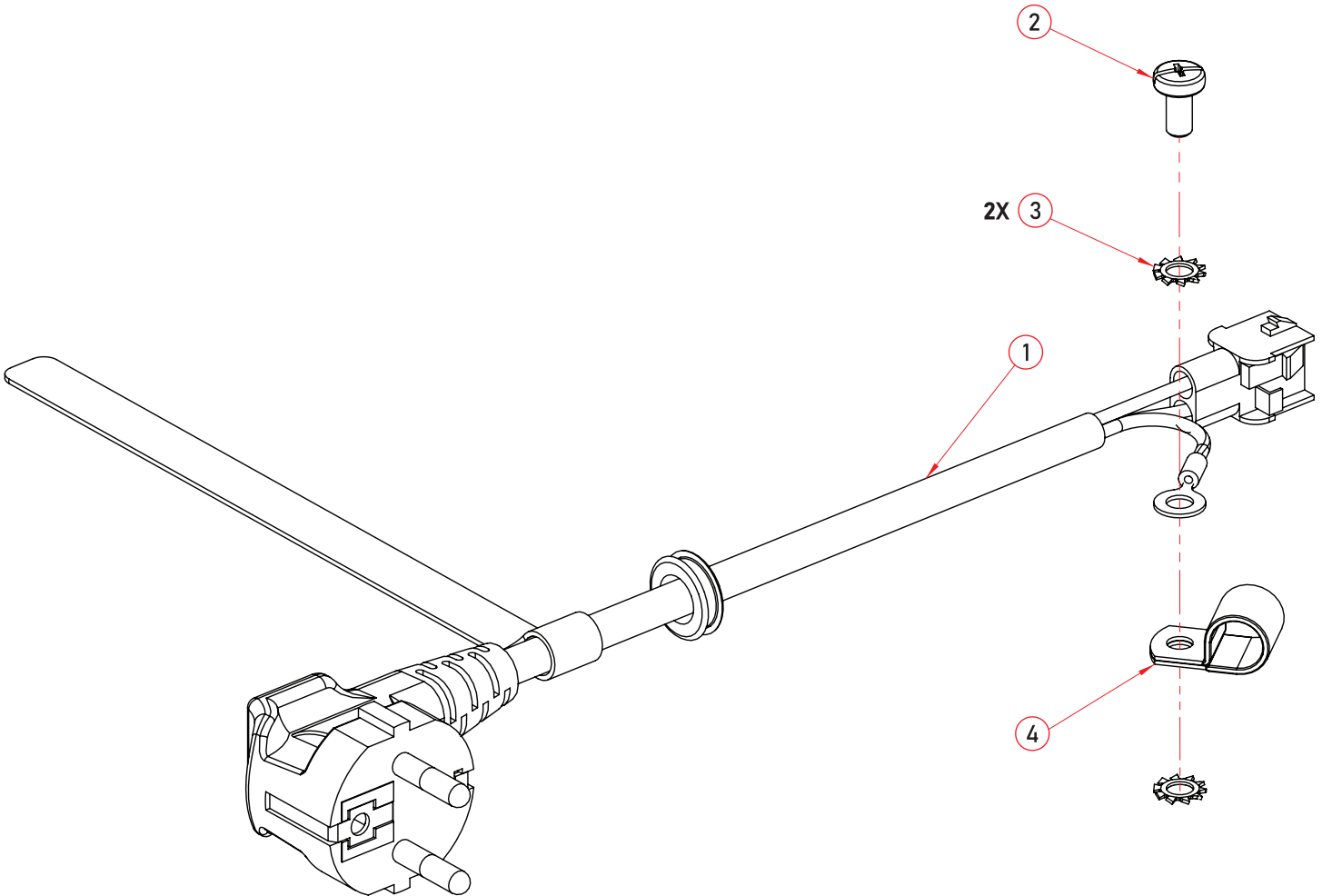
| BILL OF MATERIALS | | |
|-------------------|---|-----|
| ITEM NO. | DESCRIPTION | QTY |
| 1 | Cable Assembly, Power, 230VAC, JSS-UK | 1 |
| 2 | Bolt, M5x0.8, 10mm, Pan Head, Phillips, Silver Zinc | 1 |
| 3 | Washer, M5, External Tooth, Lock, Silver Zinc | 2 |
| 4 | Clamp, Cable, 10.2mm, Vinyl Coated Steel | 1 |

JSS Power Cable 230VAC Service Kit-EU

Motor and Power

Part Number: JSS-KIT-007

Europe Only

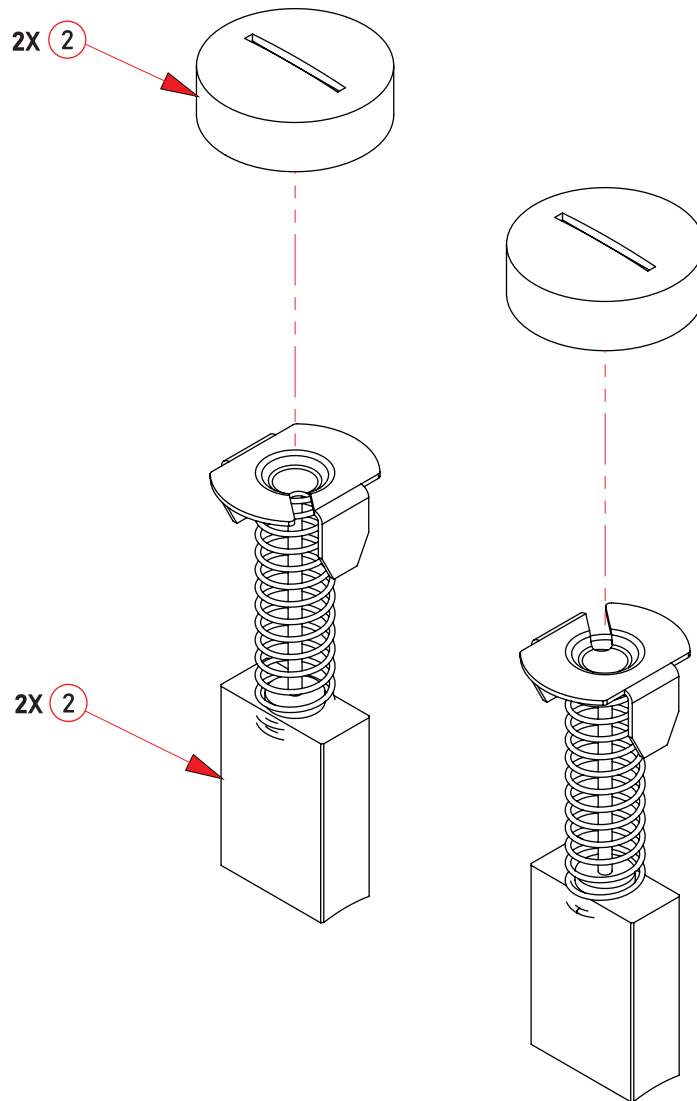


BILL OF MATERIALS

| ITEM NO. | DESCRIPTION | QTY |
|----------|---|-----|
| 1 | Cable Assembly, Power, 230VAC, JSS-CE | 1 |
| 2 | Bolt, M5x0.8, 10mm, Pan Head, Phillips, Silver Zinc | 1 |
| 3 | Washer, M5, External Tooth, Lock, Silver Zinc | 2 |
| 4 | Clamp, Cable, 10.2mm, Vinyl Coated Steel | 1 |

JSS Motor Brush Kit Service Kit

Part Number: JSS-KIT-033

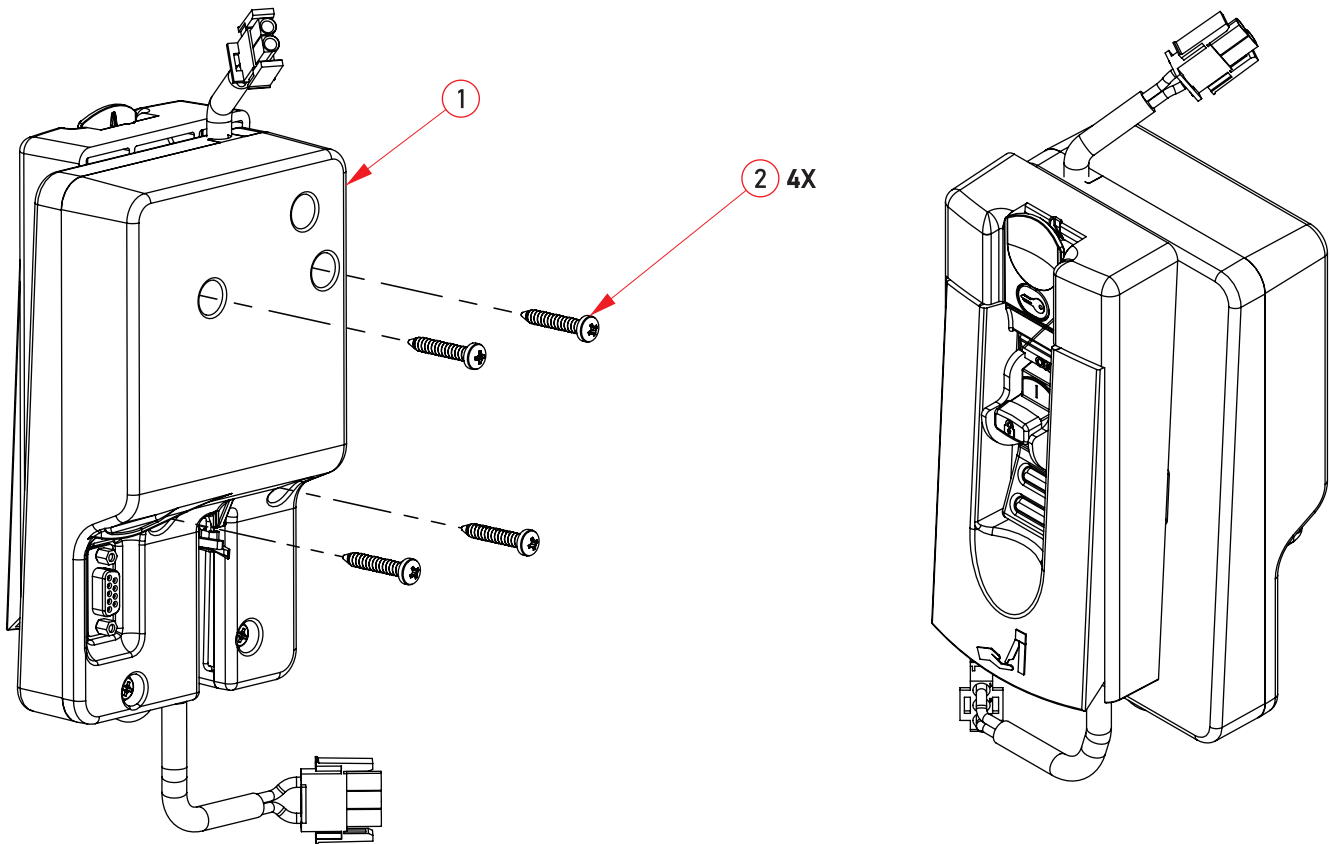


BILL OF MATERIALS

| ITEM NO. | DESCRIPTION | QTY |
|----------|-----------------------|-----|
| 1 | Brush, Motor, JSS | 2 |
| 2 | Cap, Motor Brush, JSS | 2 |

JSS Switchbox Assembly Service Kit

Part Number: JSS-KIT-035



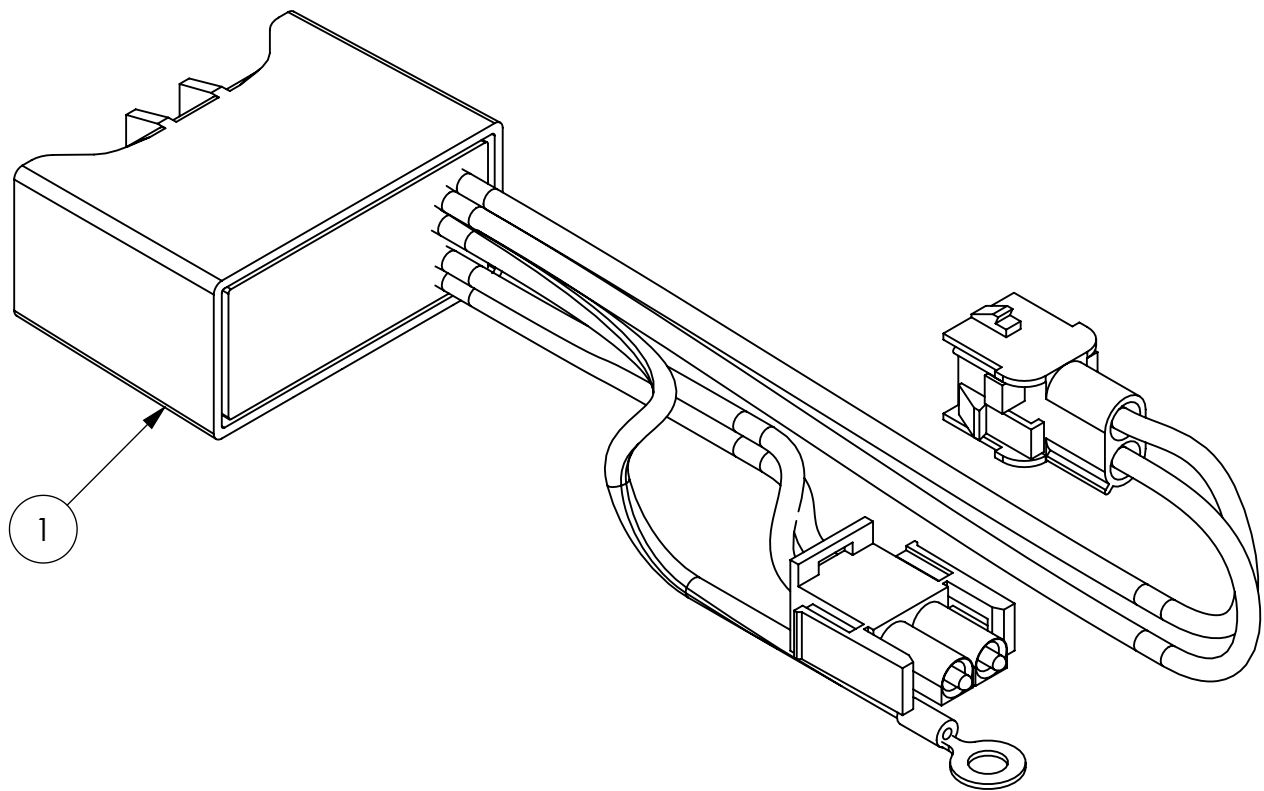
BILL OF MATERIALS

| ITEM NO. | DESCRIPTION | QTY |
|----------|---|-----|
| 1 | Assembly, Switch box, PCB Mounting, JSS | 1 |
| 2 | Screw, M5x1.59, 30mm, Pan Head, Phillips, Thread Cutting, Silver Zinc | 4 |

Cable Assembly, EMC Filter

Part Number: JSS-KIT-051

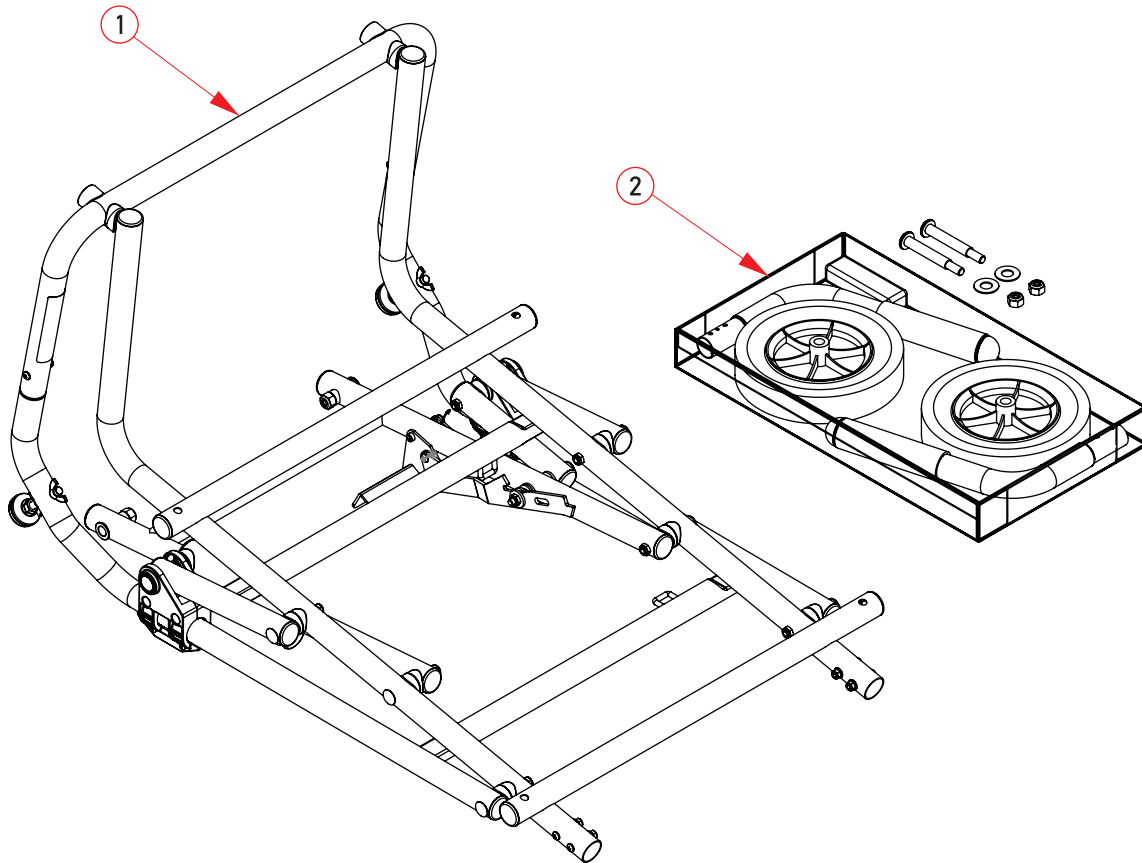
Europe and UK Version



| BILL OF MATERIALS | | |
|-------------------|---------------------------------|-----|
| ITEM NO. | DESCRIPTION | QTY |
| 1 | Cable Assembly, EMC Filter, JSS | 1 |

JSS Mobile Cart Service Kit

Part Number: JSS-KIT-005



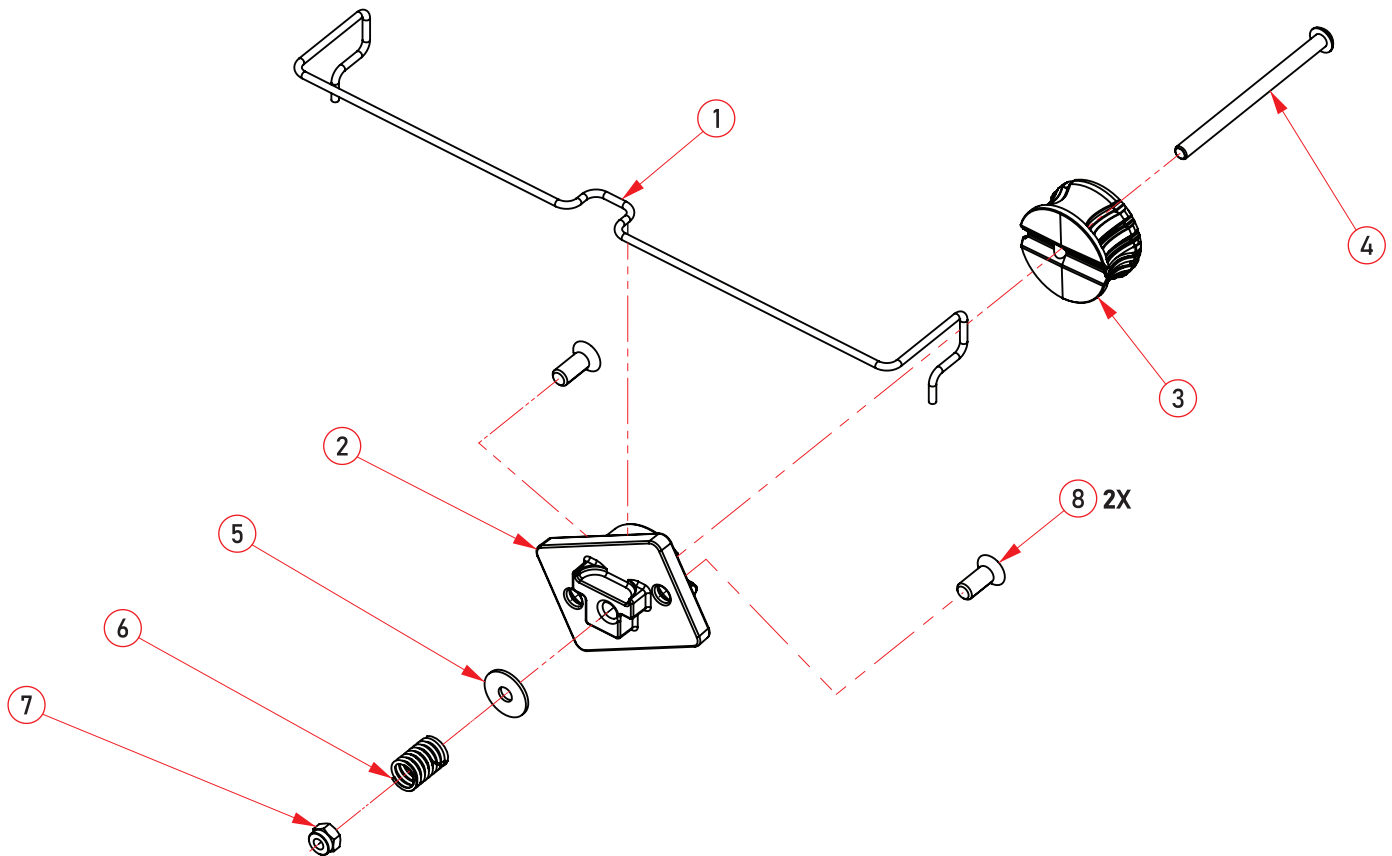
BILL OF MATERIALS

| ITEM NO. | DESCRIPTION | QTY |
|----------|-----------------------|-----|
| 1 | Mobile Cart, JSS-CE | 1 |
| 2 | Component Box, MC-JSS | 1 |

JSS Wrench Storage Service Kit

Part Number: JSS-KIT-013

Europe and UK Version



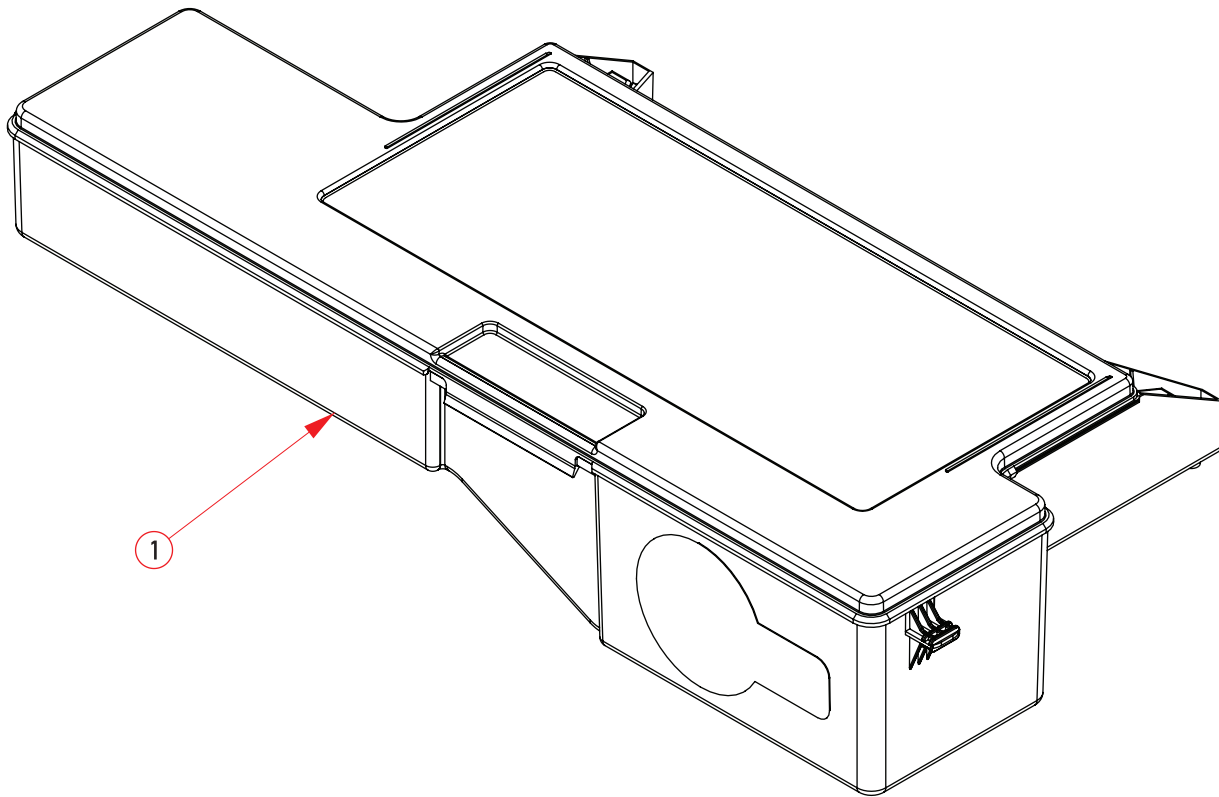
BILL OF MATERIALS

| ITEM NO. | DESCRIPTION | QTY |
|----------|---|-----|
| 1 | Spring, Accessory Storage Preload, JSS | 1 |
| 2 | Plate, Accessory Storage, JSS-CE | 1 |
| 3 | Lock, Accessory Storage, JSS-CE | 1 |
| 4 | Screw, Accessory Storage, JSS | 1 |
| 5 | Washer, M4, Flat, 14mm ODx1mm THK, Silver Zinc | 1 |
| 6 | Spring, Cable Tension, Compression, JSS | 1 |
| 7 | Nut, M4x0.7, Nylok | 1 |
| 8 | Screw, M5x1.59, 12mm, Flat Head, Phillips, Thread Cutting, Black Zinc | 2 |

JSS Accessory Storage Service Kit

Part Number: JSS-KIT-015

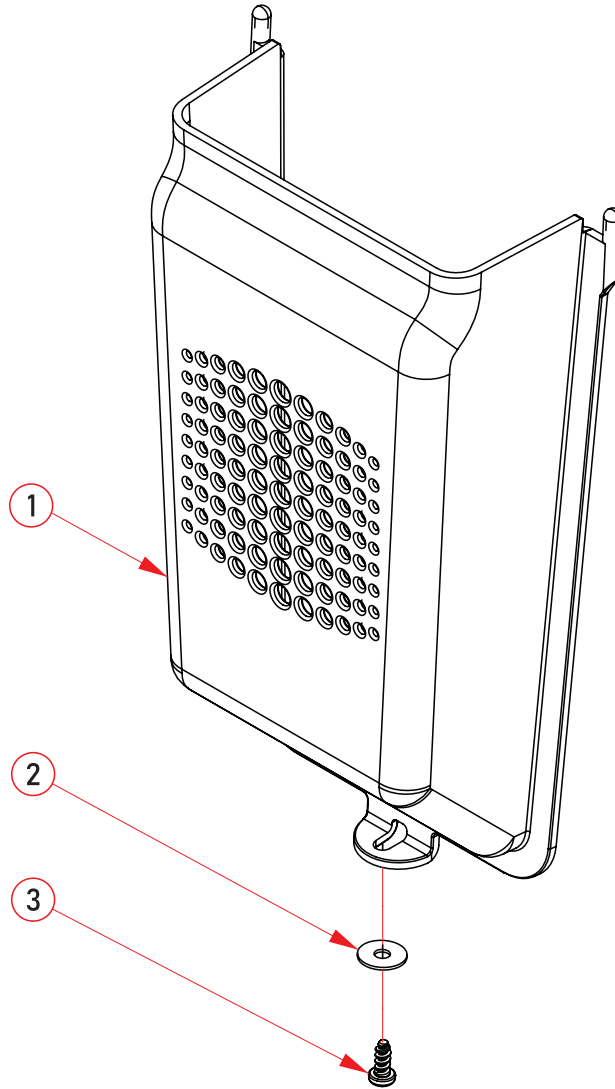
Europe and UK Version



| BILL OF MATERIALS | | |
|-------------------|---|-----|
| ITEM NO. | DESCRIPTION | QTY |
| 1 | Accessory Storage Drawer, With Allen Wrenches, JSS-CE | 1 |

JSS Motor Cover Service Kit

Part Number: JSS-KIT-023

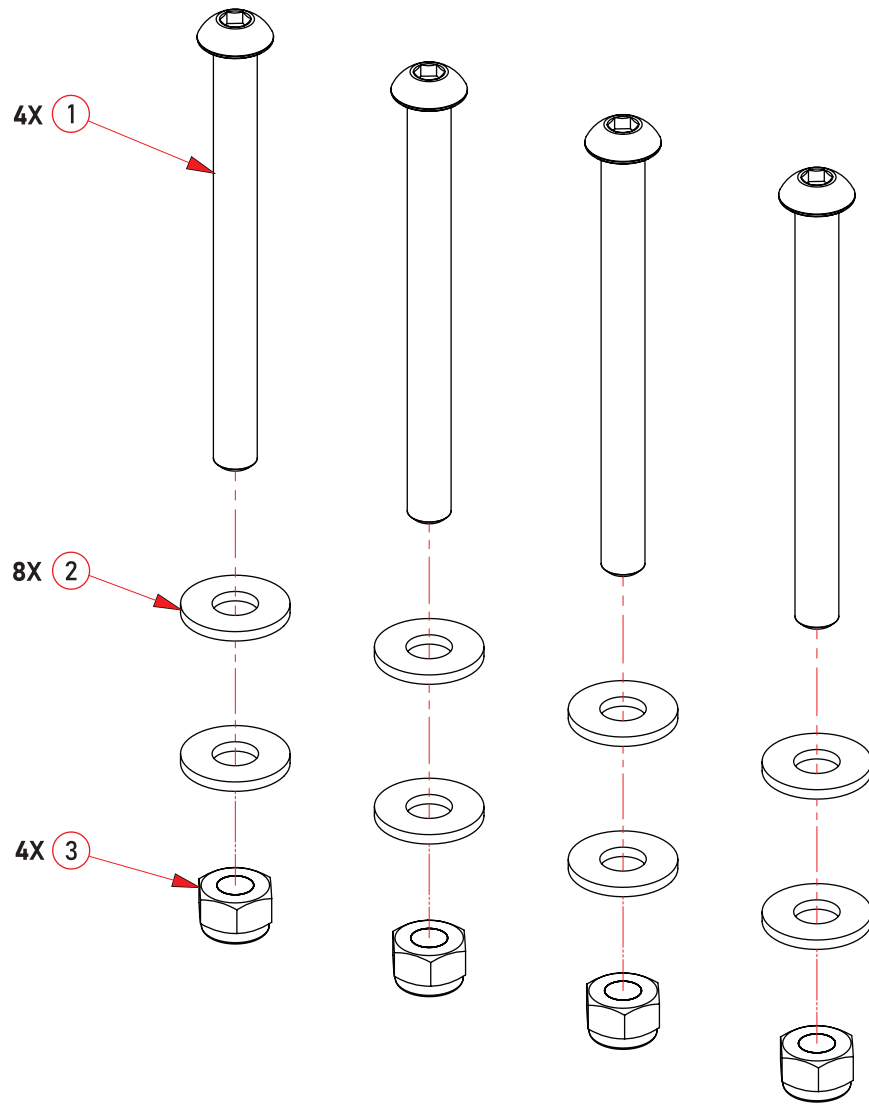


BILL OF MATERIALS

| ITEM NO. | DESCRIPTION | QTY |
|----------|--|-----|
| 1 | Cover, Motor, JSS.SLDPRT | 1 |
| 2 | Washer, M5, Flat, 16mm ODx1mm THK, Black Zinc | 1 |
| 3 | Screw, M5x1.59, 12mm, Pan Head, Phillips, Thread Cutting, Black Zinc | 1 |

JSS Cabinet Bolt Kit Service Kit

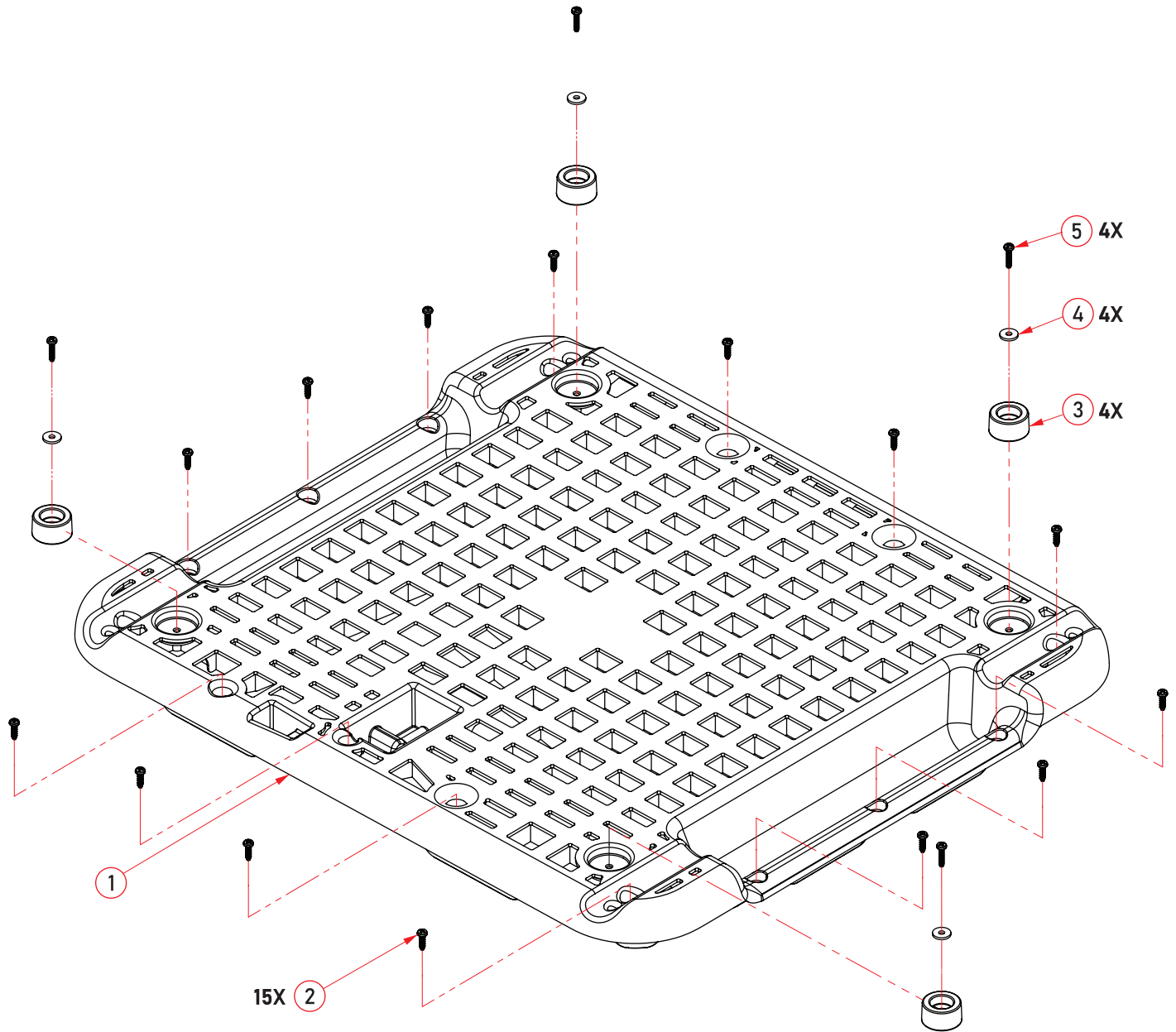
Part Number: JSS-KIT-024



| BILL OF MATERIALS | | |
|-------------------|--|-----|
| ITEM NO. | DESCRIPTION | QTY |
| 1 | Bolt, M8x1.25, 90mm, Button Head, Socket, Black Zinc | 4 |
| 2 | Washer, M8, Flat, 20mm ODx2mm THK, Black Zinc | 8 |
| 3 | Nut, M8x1.25, Nylok | 4 |

JSS Cabinet Base Service Kit

Part Number: JSS-KIT-026

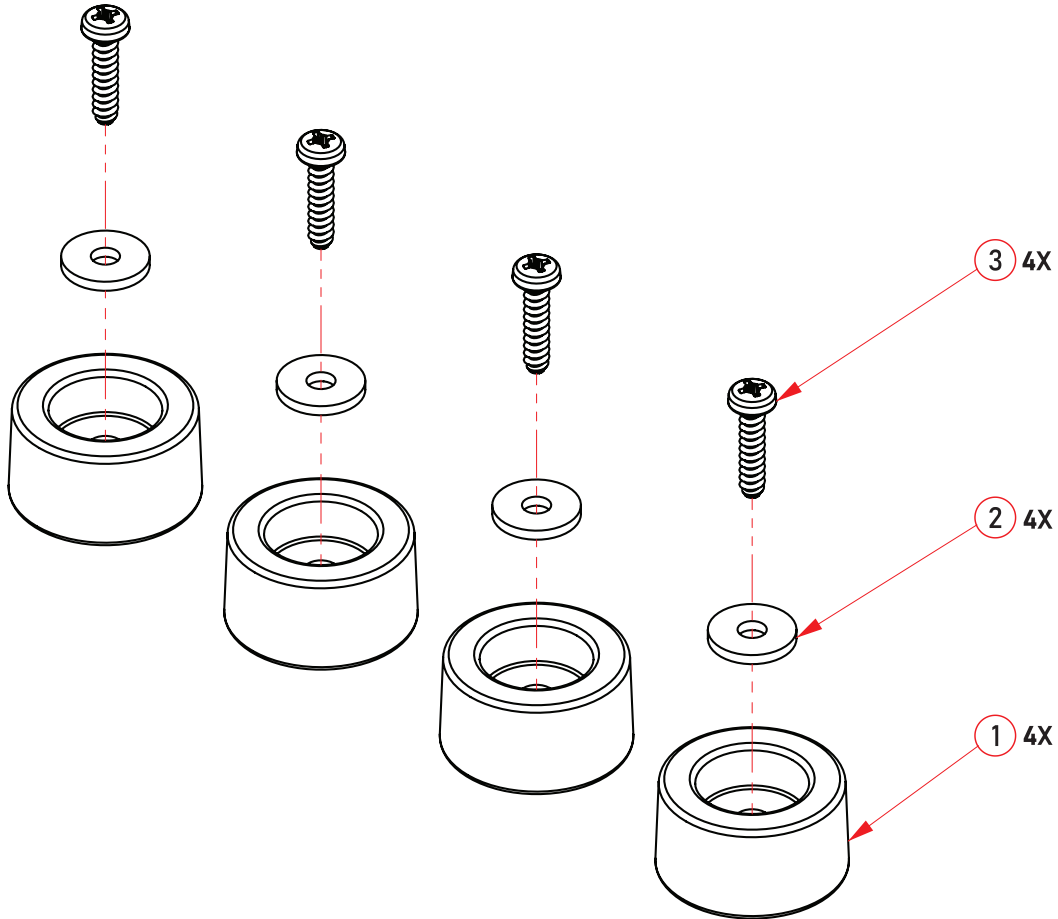


BILL OF MATERIALS

| ITEM NO. | DESCRIPTION | QTY |
|----------|---|-----|
| 1 | Cabinet, Base, JSS | 1 |
| 2 | Screw, M5x1.59, 16mm, Pan Head, Phillips, Thread Cutting, Silver Zinc | 15 |
| 3 | Foot, Support, JSS | 4 |
| 4 | Washer, M5, Flat, 16mm ODx2mm THK, Silver Zinc | 4 |
| 5 | Screw, M5x1.59, 20mm, Pan Head, Phillips, Thread Cutting, Silver Zinc | 4 |

JSS Support Foot Service Kit

Part Number: JSS-KIT-027

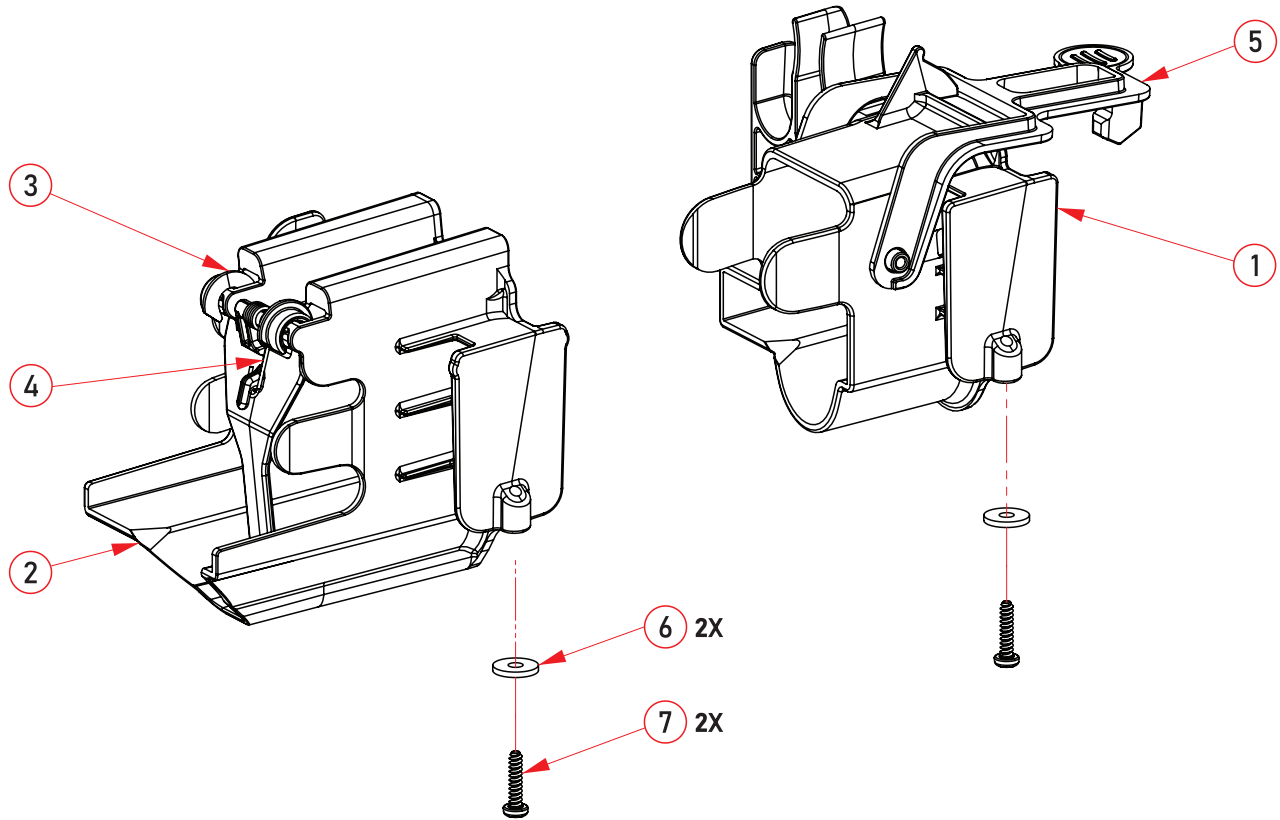


BILL OF MATERIALS

| ITEM NO. | DESCRIPTION | QTY |
|----------|---|-----|
| 1 | Foot, Support, JSS | 4 |
| 2 | Washer, M5, Flat, 16mm ODx2mm THK, Silver Zinc | 4 |
| 3 | Screw, M5x1.59, 20mm, Pan Head, Phillips, Thread Cutting, Silver Zinc | 4 |

JSS Fence Storage Service Kit

Part Number: JSS-KIT-040

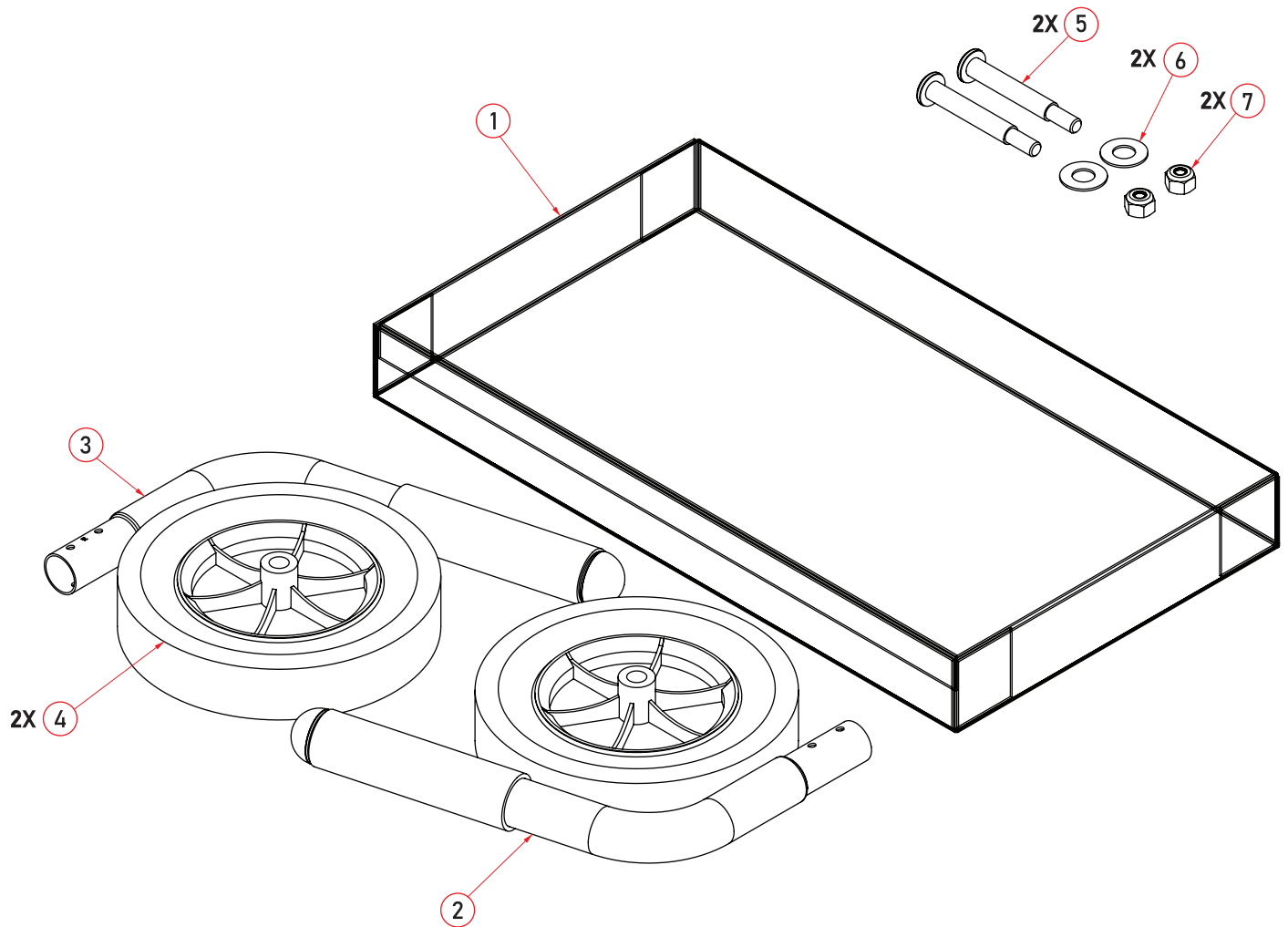


BILL OF MATERIALS

| ITEM NO. | DESCRIPTION | QTY |
|----------|---|-----|
| 1 | Bracket, Fence Storage, Front, JSS2 | 1 |
| 2 | Bracket, Fence Storage, Rear, JSS2 | 1 |
| 3 | Retainer, Fence Storage, JSS | 1 |
| 4 | Spring, Fence Storage Retainer, JSS | 1 |
| 5 | Lock, Fence Storage, JSS2 | 1 |
| 6 | Washer, M5, Flat, 16mm ODx2mm THK, Silver Zinc | 2 |
| 7 | Screw, M5x1.59, 20mm, Pan Head, Phillips, Thread Cutting, Silver Zinc | 2 |

JSS Mobile Cart, Wheels And Handles Only Service Kit

Part Number: JSS-KIT-044



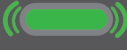













BILL OF MATERIALS

| ITEM NO. | DESCRIPTION | QTY |
|----------|---|-----|
| 1 | Box, Cardboard, Hardware, MC-JSS | 1 |
| 2 | Handle, Left, MC-JSS | 1 |
| 3 | Handle, Right, MC-JSS | 1 |
| 4 | Wheel, 8 Inch, MC-JSS | 2 |
| 5 | Bolt, Shoulder, 12.65mm ODx69.3mm, M10x1.5, Button Head, Socket, Black Zinc | 2 |
| 6 | Washer, M14, Flat, 30mm ODx1.5mm THK, Black Zinc | 2 |
| 7 | Nut, M10x1.5, Nylon Insert | 2 |

JSS Europe / Uk Status Light Label Service Kit

Part Number: JSS-KIT-055

Europe and UK Version

| STATUS LIGHTS | |  Slow Flash Destello lento Clignotement lent Blinkt langsam |  Fast Flash Destello rápido Clignotement rapide Blinkt schnell | |
|---|--|---|--|---|
|  | Starting Up | Arranque | Démarrage | Starten |
|  | Ready - Running | Listo - En funcionamiento | Prêt - En marche | Bereit - In Betrieb |
|  | Coasting Down | Descenso por inercia | Descente libre | Läuft aus |
|  | Bypass ON | Derivación ACTIVADA | Dérivation activée | Bypass EIN |
|  | Paddle OUT (Push IN to clear) | Interruptor hacia FUERA (pulsar para solucionar) | Palette sortie (l'insérer pour y remédier) | Paddelschalter GEZOGEN (zum Löschen drücken) |
|  | Blade Contact While Stopped | Contacto de la hoja Cuando está parada | Contact de la lame à l'arrêt | Kontakt mit Sägeblatt Im Stillstand |
|  | Blade Contact During Bypass | Contacto de la hoja Durante la derivación | Contact de la lame pendant la dérivation | Kontakt mit Sägeblatt Im Bypass-Modus |
|  | Brake Cartridge Key Error | Error de llave de cartucho de freno | Erreur clé cartouche de frein | Patronenfehler |
|  | Overload Due to Moisture | Sobrecarga por humedad | Surcharge due à l'humidité | Überlastung durch Feuchtigkeit |
|  | Small or Missing Blade | Hoja pequeña o Ausencia de hoja | Lame petite ou manquante | Sägeblatt zu klein oder fehlt |
|  | No Blade Rotation | Sin rotación de la hoja | Pas de rotation de la lame | Keine Sägeblattrotation |
|  | Replace Cartridge | Sustitución del cartucho | Remplacer la cartouche | Patrone wechseln |

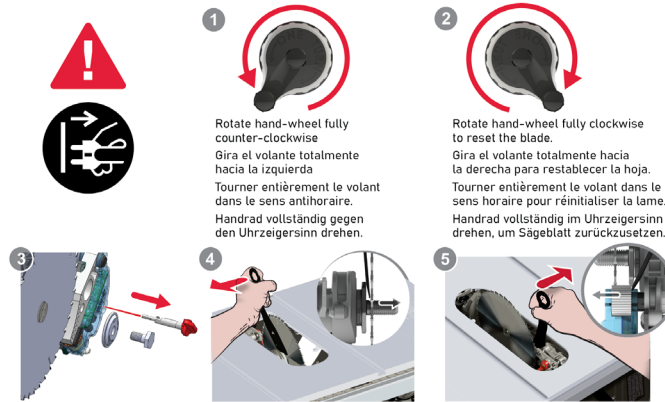
JSS Europe / UK Accessory Drawer Label Service Kit

Part Number: JSS-KIT-057

Europe and UK Version

BRAKE CARTRIDGE REPLACEMENT

SUSTITUCIÓN DEL CARTUCHO DE FRENO · REMPLACER LA CARTOUCHE DE FREIN
PATRONE WECHSELN



Check Material Conductivity in Bypass Mode

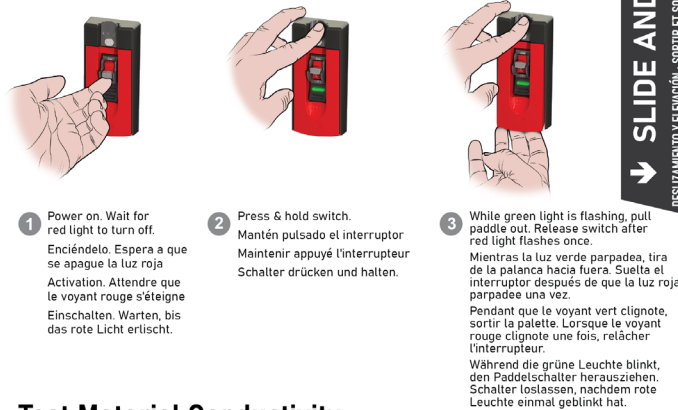
Comprueba la conductividad del material en modo derivación · Tester la conductivité du matériau en mode dérivation · Leitfähigkeit des Materials im Bypass-Modus testen.



THERE IS NO PROTECTION IN BYPASS MODE! ¡NO EXISTE PROTECCIÓN EN EL MODO DERIVACIÓN!
AUCUNE PROTECTION EN MODE DÉRIVATION ! IM BYPASS-MODUS BESTEHT KEIN SCHUTZ!

Starting Bypass Mode:

Inicio del modo de derivación · Démarrer en mode dérivation · Bypass-Modus aktivieren



1

Power on. Wait for red light to turn off.
Enciéndelo. Espera a que se apague la luz roja
Activation. Attendez que le voyant rouge s'éteigne
Einschalten. Warten, bis das rote Licht erlischt.

2

Press & hold switch.
Mantén pulsado el interruptor
Maintenir appuyé l'interrupteur
Schalter drücken und halten.

3

While green light is flashing, pull paddle out. Release switch after red light flashes once.
Mientras la luz verde parpadea, tira de la palanca hacia fuera. Suelta el interruptor después de que la luz roja parpadee una vez.
Pendant que le voyant vert clignote, sortir la palette. Lorsque le voyant rouge clignote une fois, relâcher l'interrupteur.
Während die grüne Leuchte blinkt, den Paddelschalter herausziehen. Schalter loslassen, nachdem rote Leuchte einmal geblinkt hat.

SLIDE AND LIFT
↓
DESPLAZAMIENTO Y ELEVACIÓN · SORTIR ET SOULEVER · ZIEHEN UND ANHEBEN

Test Material Conductivity:

Comprueba la conductividad del material · Tester la conductivité du matériau · Leitfähigkeit des Materials testen

- In bypass mode, make 2 test cuts.
En modo derivación, realiza dos cortes de prueba.
En mode dérivation, effectuer 2 coupes test.
Im Bypass-Modus 2 Test-schnitte durchführen.
- Conductive Material: Red light will flash until blade stops
Material conductor: la luz roja parpadeará hasta que la hoja se detenga
Matériau conducteur : le voyant rouge clignote jusqu'à ce que la lame s'arrête
Leitfähiges Material: Rote Leuchte blinkt, bis Sägeblatt im Stillstand ist.
- Non-Conductive Material: Only green light will flash.
Material no conductor: Solo parpadeará la luz verde.
Matériau non-conducteur : Seul le voyant vert clignote.
Nicht leitfähiges Material: Nur grüne Leuchte blinkt.

Disabling Bypass Mode:

Desactivación del modo derivación · Désactiver le mode dérivation · Bypass-Modus deaktivieren



1

2

3



SawStop.eu/JSSsupport

JSS Europe / UK Owner's Manual Service Kit

Part Number: JSS-KIT-059

Europe and UK Version



EN

DE

FR

ES

JSS-230B50UK / JSS-230B50EU

JOBSITE SAW PRO OWNER'S MANUAL



JSS®



JSS Jobsite Pro Logo Label Service Kit

Part Number: JSS-KIT-060



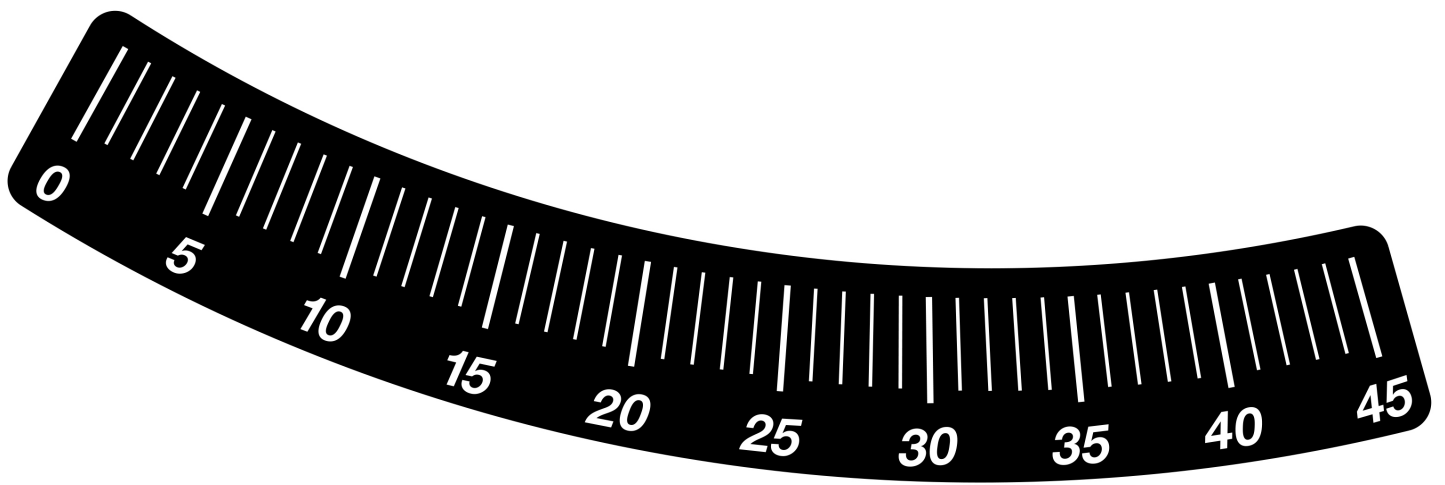
JSS Squeeze To Tilt Label Service Kit

Part Number: JSS-KIT-061



JSS Angle Label Service Kit

Part Number: JSS-KIT-062



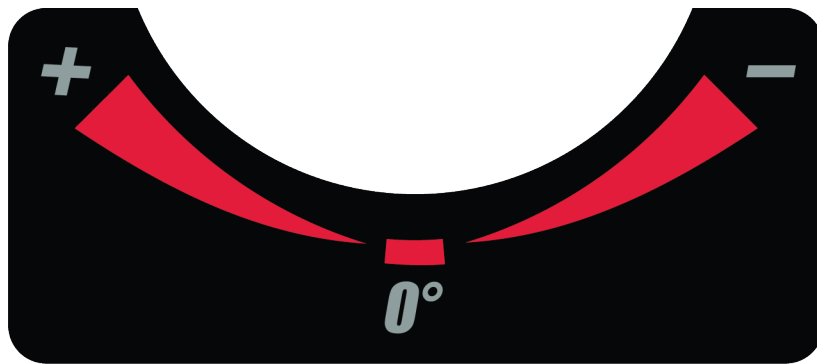
JSS Sawstop Logo Label Service Kit

Part Number: JSS-KIT-063



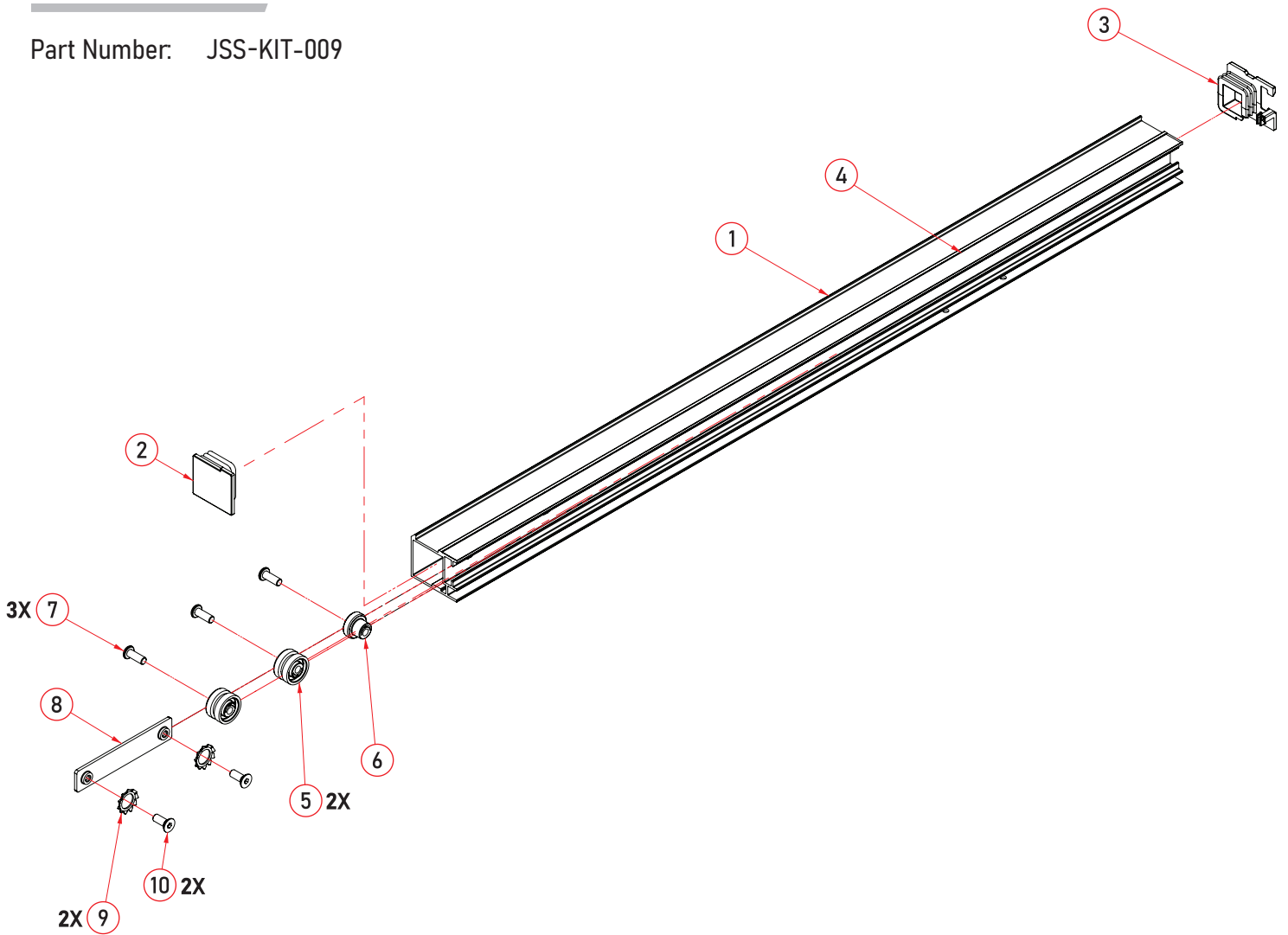
JSS Tilt Adjust Label

Part Number: JSS-KIT-064



JSS Front Rail Assembly Service Kit

Part Number: JSS-KIT-009

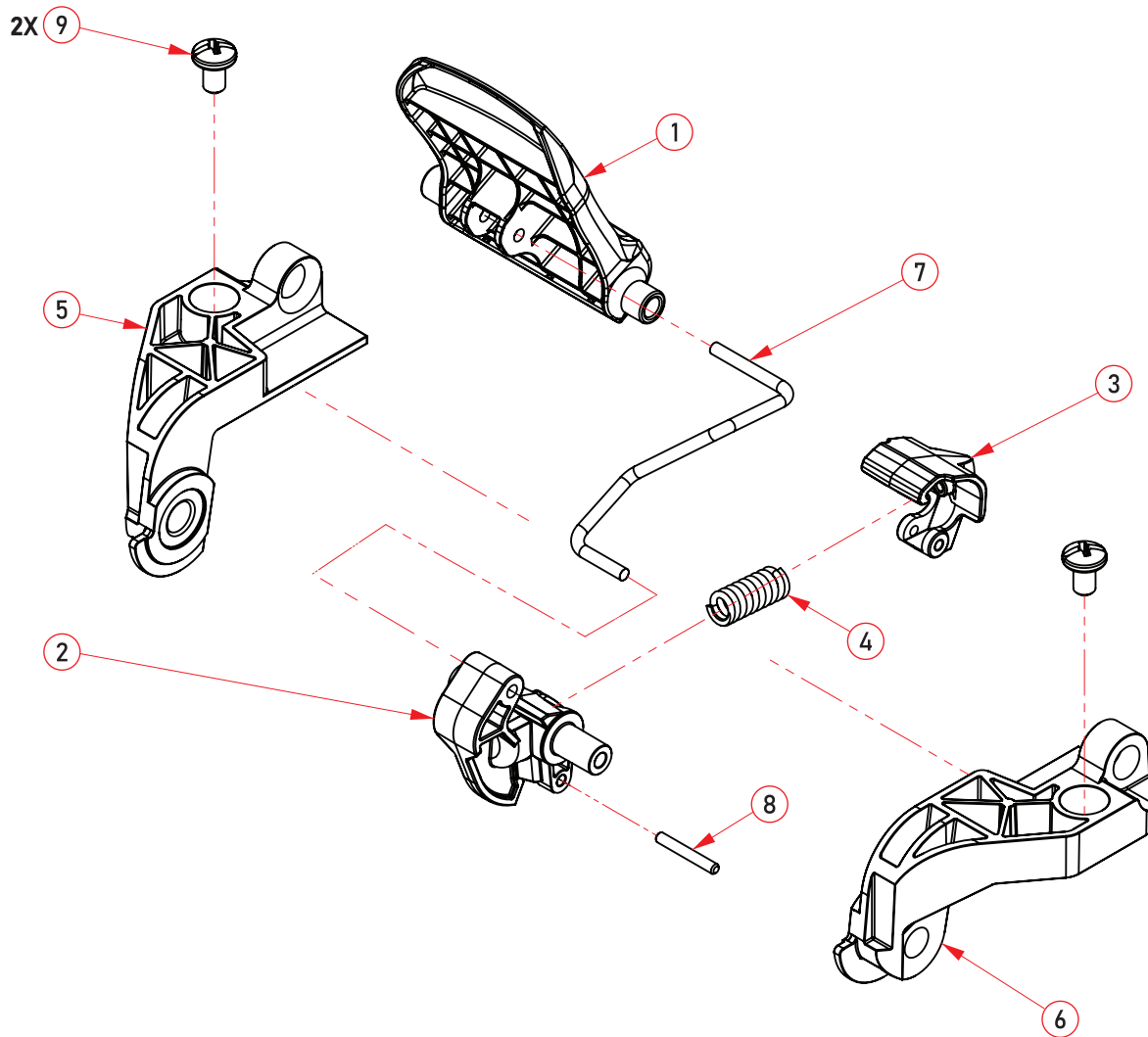


BILL OF MATERIALS

| ITEM NO. | DESCRIPTION | QTY |
|----------|--|-----|
| 1 | Rail, Front, JSS | 1 |
| 2 | End Cap, Front Rail, Right, JSS | 1 |
| 3 | End Cap, Front Rail, Left, JSS | 1 |
| 4 | Ruler, JSS2, Europe and UK | 1 |
| 5 | Pad, Rail Mount, Front, JSS | 2 |
| 6 | Pad, Rail Mount Left, Front, JSS | 1 |
| 7 | Bolt, M6x1.0, 16mm, Loctite, Button Head, Socket, Black Zinc | 3 |
| 8 | Plate, Rail Clamp, JSS | 1 |
| 9 | Washer, M12, External Totoh, Lock, Silver Zinc | 2 |
| 10 | Bolt, M6x1.0, 16mm, Loctite, Flat Head, Socket | 2 |

JSS Rail Lock Assembly Service Kit

Part Number: JSS-KIT-011



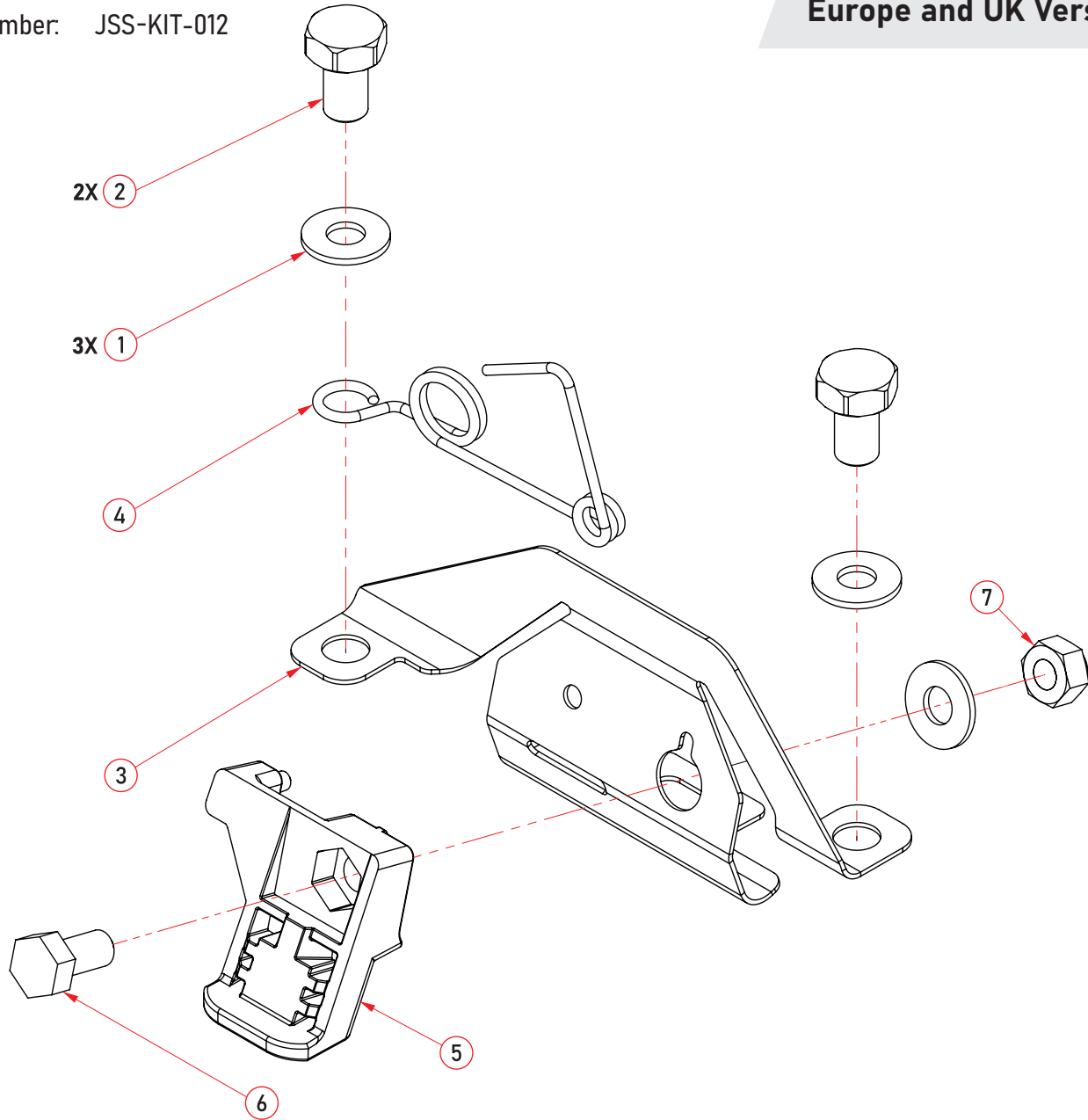
BILL OF MATERIALS

| ITEM NO. | DESCRIPTION | QTY |
|----------|--|-----|
| 1 | Handle, Front Rail, JSS | 1 |
| 2 | Cam, Rail Lock, Linkage, JSS | 1 |
| 3 | Cam, Rail Lock, Clamp, JSS | 1 |
| 4 | Spring, Can, Rail Locking, JSS | 1 |
| 5 | Bracket, Rail Handle, Left, JSS | 1 |
| 6 | Bracket, Rail Handle, Right, JSS | 1 |
| 7 | Link, Rail Lock, JSS | 1 |
| 8 | Pin, Dowel, 3mmx22mm | 1 |
| 9 | Bolt, M6x1.0, 10mm, Pan Head, Phillips, Black Zinc | 2 |

JSS Table Insert Latch Service Kit

Part Number: JSS-KIT-012

Europe and UK Version

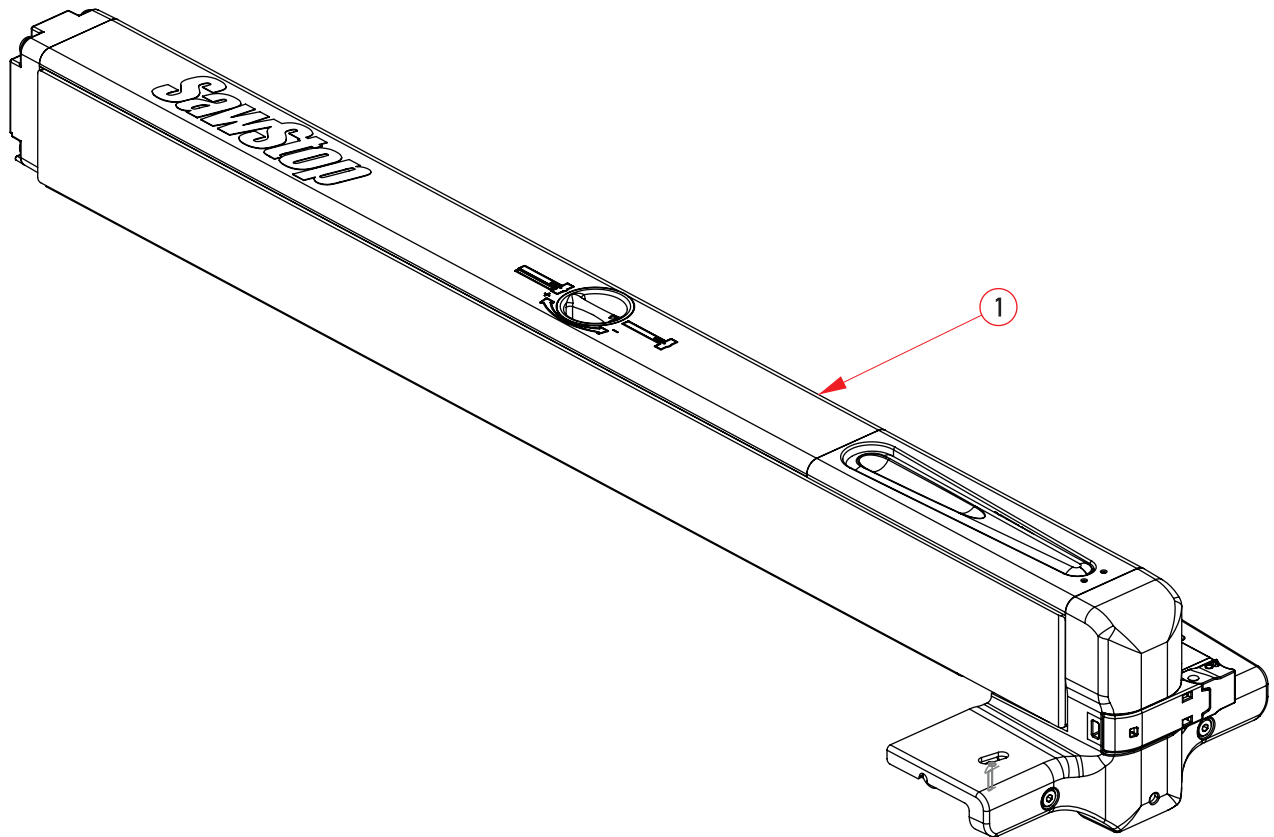


| BILL OF MATERIALS | | |
|-------------------|--|-----|
| ITEM NO. | DESCRIPTION | QTY |
| 1 | Washer, M5, Flat, 12mm ODx1mm THK, Silver Zinc | 3 |
| 2 | Bolt, M6x1.0, 10mm, Loctite, Hex Head | 2 |
| 3 | Latch, Insert, JSS | 1 |
| 4 | Spring, Insert Ejection, Wire Form, JSS | 1 |
| 5 | Latch, Table Insert Release, JSS-CE | 1 |
| 6 | Bolt, M5x0.8, 10mm, Hex Head, Silver Zinc | 1 |
| 7 | Nut, M5x0.8, Nylok | 1 |



JSS Fence Assembly Service Kit

Part Number: JSS-KIT-016

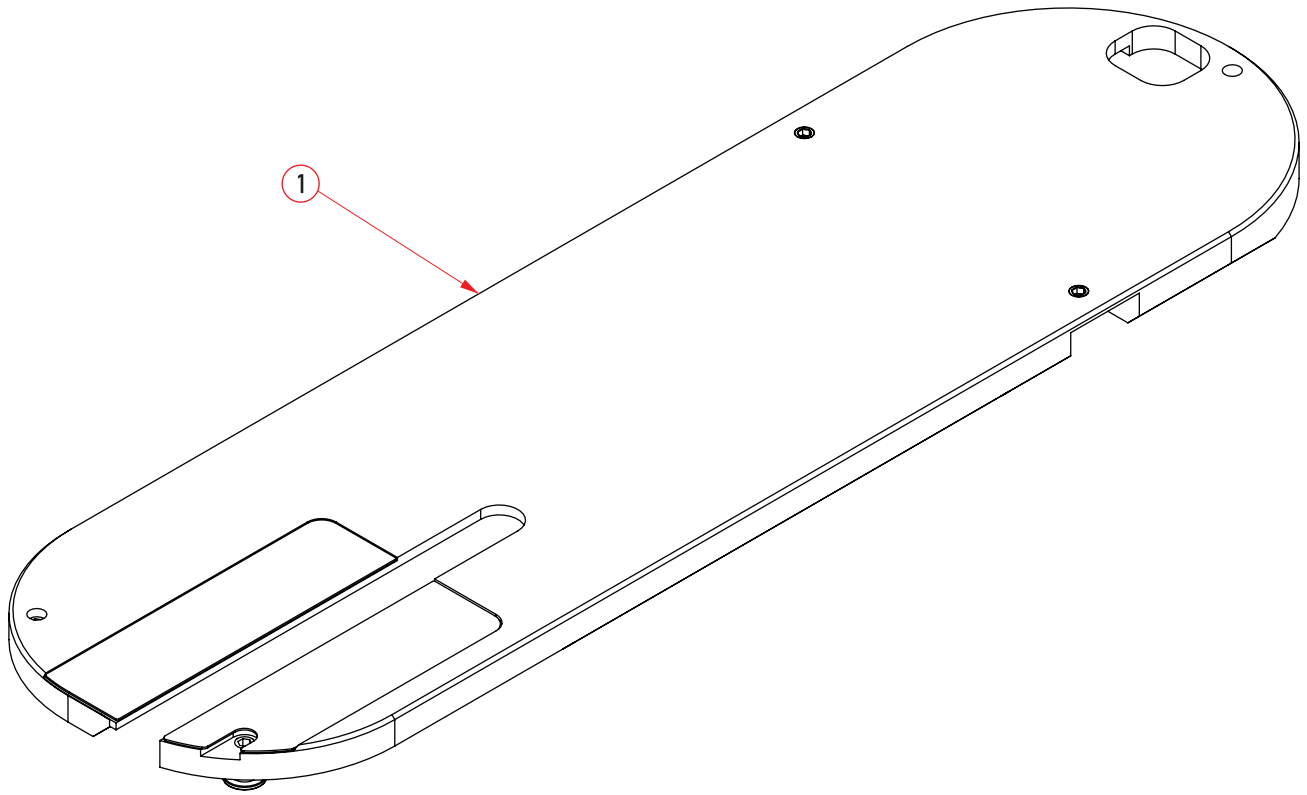


BILL OF MATERIALS

| ITEM NO. | DESCRIPTION | QTY |
|----------|----------------------|-----|
| 1 | Fence Assembly, JSS2 | 1 |

JSS Table Insert Service Kit

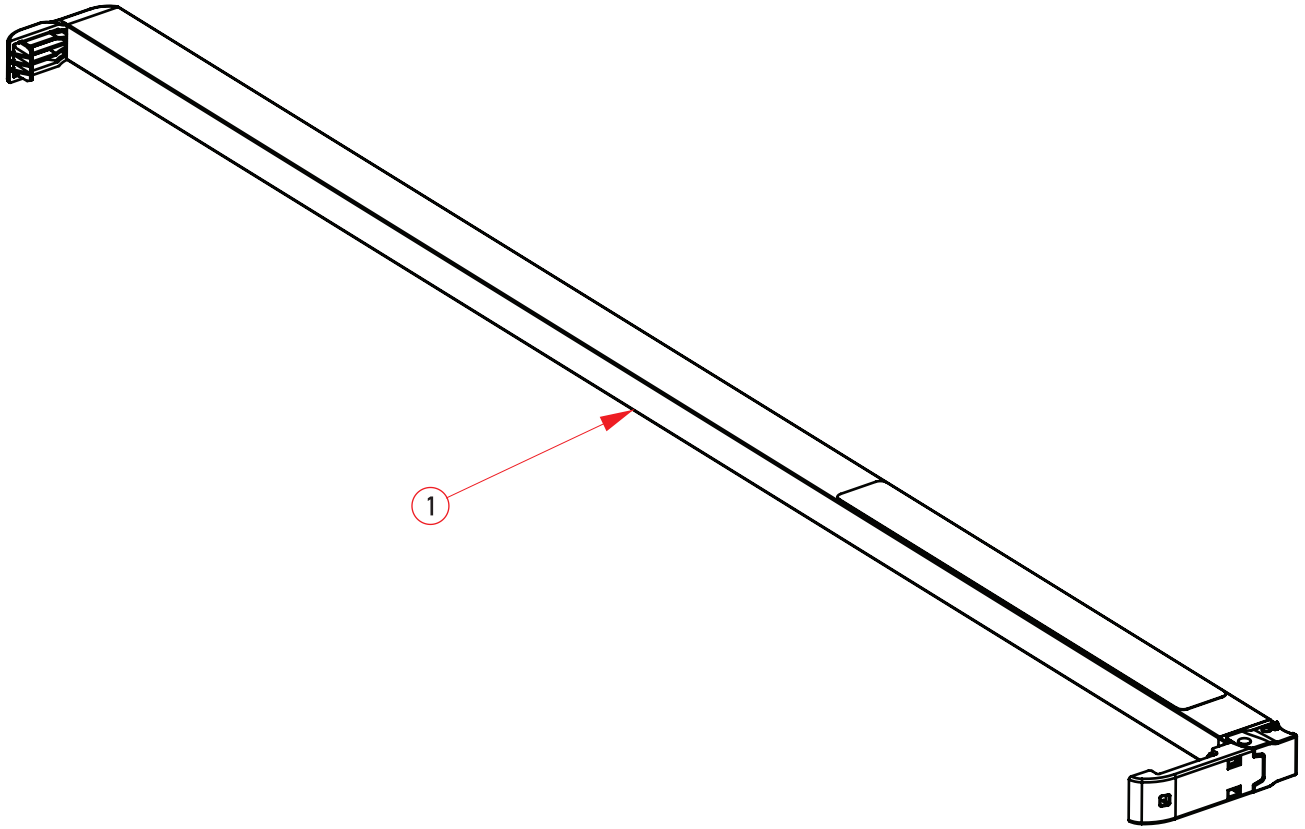
Part Number: TSI-SJB-I



| BILL OF MATERIALS | | |
|-------------------|---|-----|
| ITEM NO. | DESCRIPTION | QTY |
| 1 | Insert Assembly, Table Saw, Standard, TSI-SJB | 1 |

JSS Low Fence Service Kit

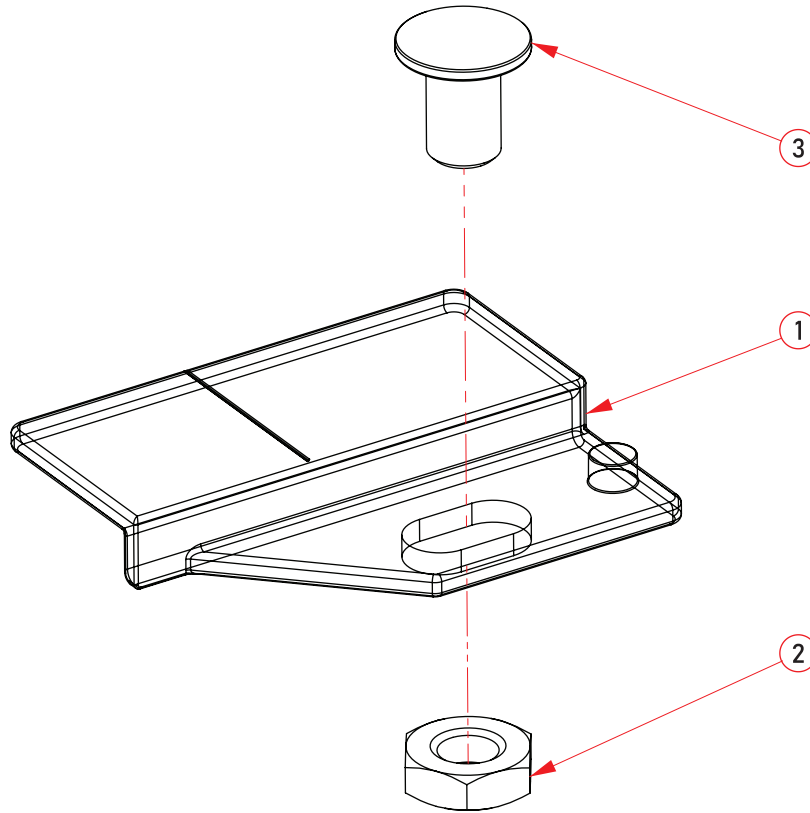
Part Number: JSS-KIT-028



| BILL OF MATERIALS | | |
|-------------------|-----------------------------------|-----|
| ITEM NO. | DESCRIPTION | QTY |
| 1 | Low Fence Complete Assembly, JSS2 | 1 |

JSS Fence Indicator Lens Service Kit

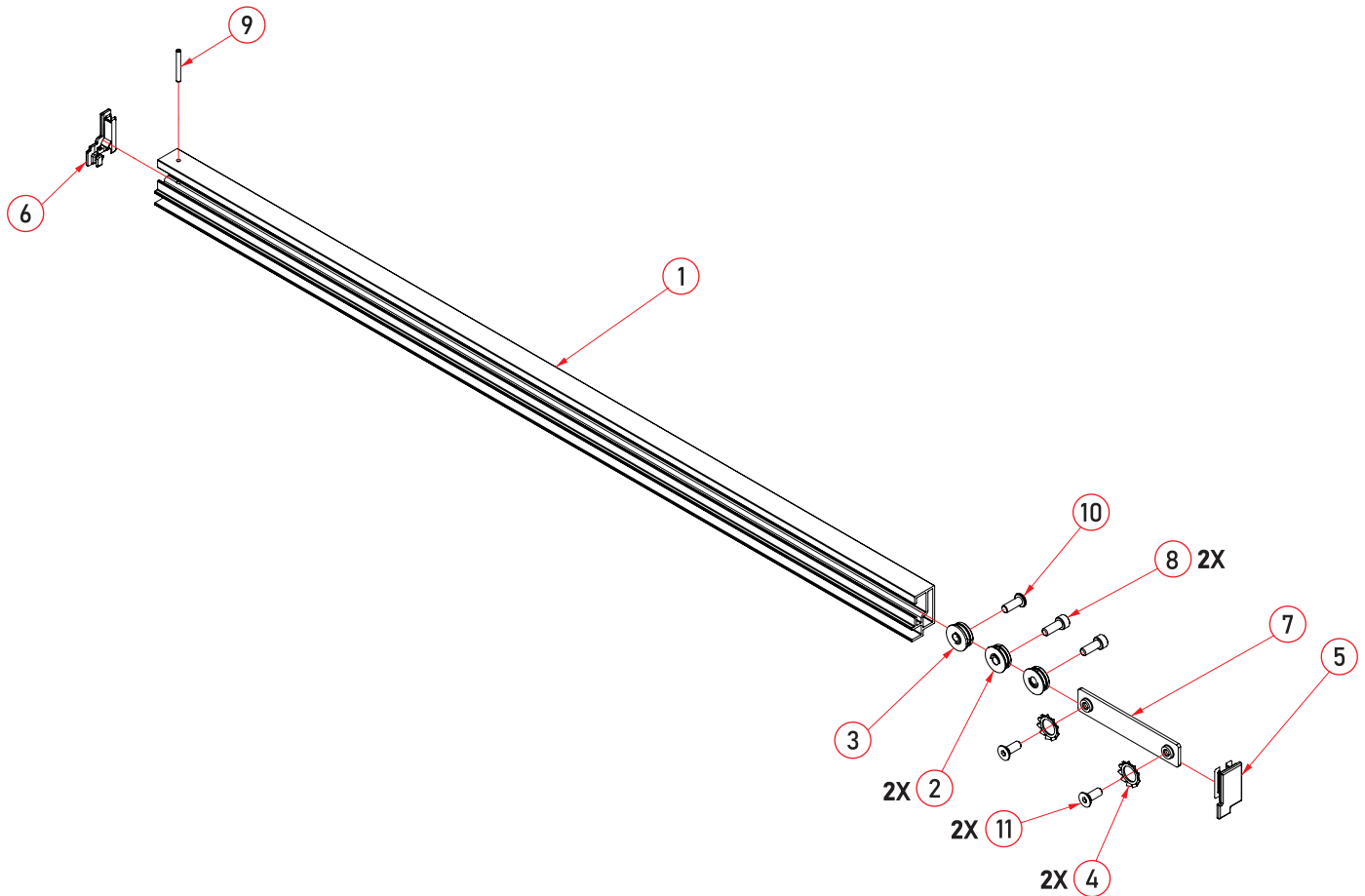
Part Number: JSS-KIT-029



| BILL OF MATERIALS | | |
|-------------------|---|-----|
| ITEM NO. | DESCRIPTION | QTY |
| 1 | Pointer, Fence, JSS2 | 1 |
| 2 | Nut, M6x1.0, Left-Hand, Jam | 1 |
| 3 | Bolt, M6x1.09, 9.5mm, Fence Pointer, Custom | 1 |

JSS Rear Rail Assembly Service Kit

Part Number: JSS-KIT-030

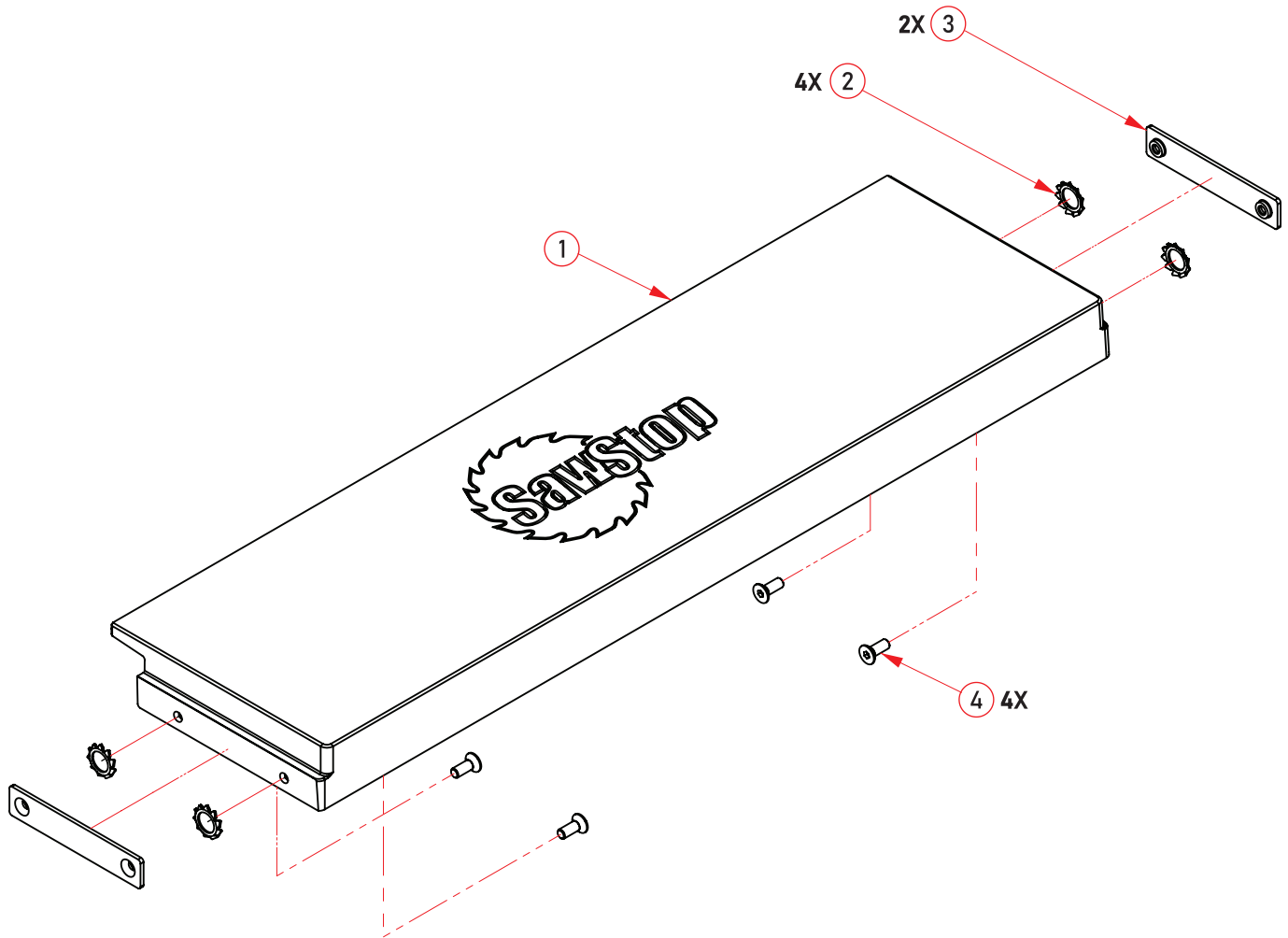


BILL OF MATERIALS

| ITEM NO. | DESCRIPTION | QTY |
|----------|--|-----|
| 1 | Rail, Rear, JSS | 1 |
| 2 | Pad, Rail Mount, Rear, JSS | 2 |
| 3 | Pad, Rail Mount Left, Rear, JSS | 1 |
| 4 | Washer, M12, External Tooth, Lock, Silver Zinc | 2 |
| 5 | End Cap, Rear Rail, Right, JSS | 1 |
| 6 | End Cap, Rear Rail, Left, JSS | 1 |
| 7 | Plate, Rail Clamp, JSS | 1 |
| 8 | Bolt, M6x1.0, 16mm, Loctite, Socket Head Cap, Black Zinc | 2 |
| 9 | Pin, Spring, 3x28 | 1 |
| 10 | Bolt, M6x1.0, 16mm, Loctite, Button Head, Socket, Black Zinc | 1 |
| 11 | Bolt, M6x1.0, 16mm, Loctite, Flat Head, Socket | 2 |

JSS Extension Wing Kit Service Kit

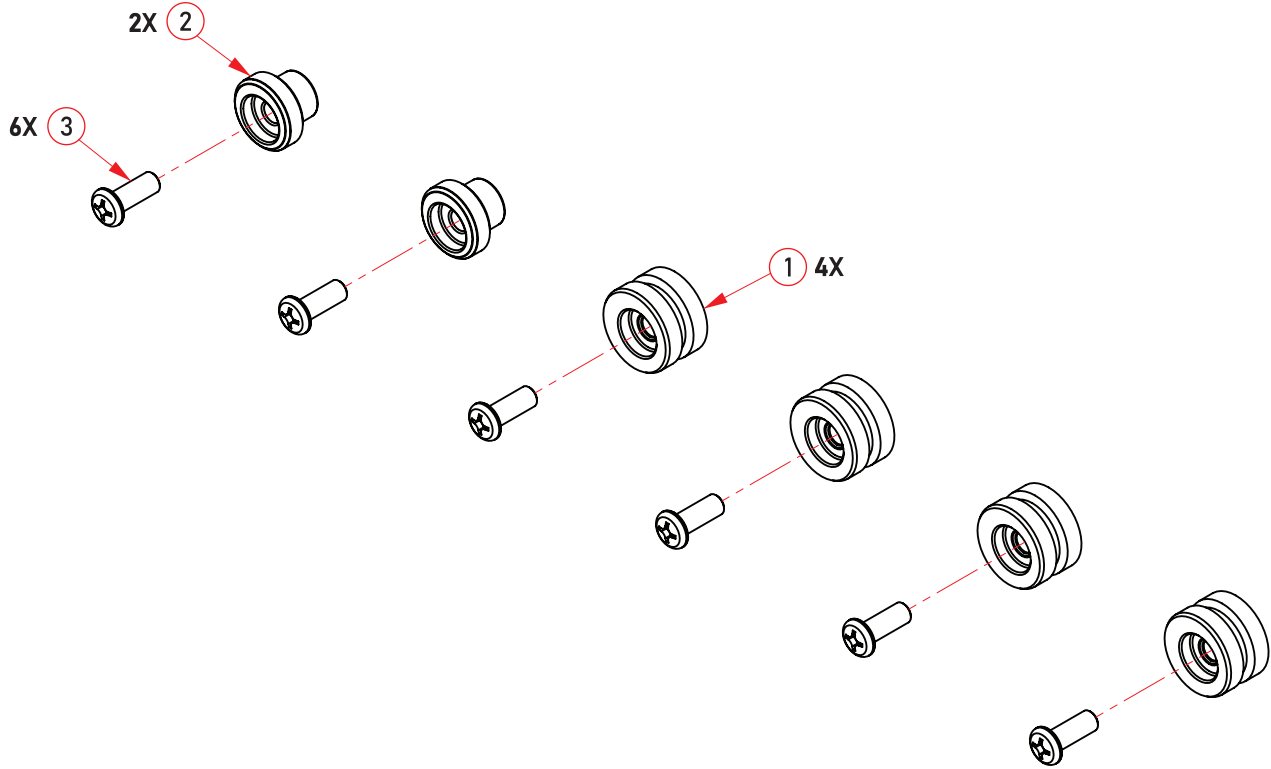
Part Number: JSS-KIT-031



| BILL OF MATERIALS | | |
|-------------------|--|-----|
| ITEM NO. | DESCRIPTION | QTY |
| 1 | Wing, Extension, JSS2 | 1 |
| 2 | Washer, M12, External Tooth, Lock, Silver Zinc | 4 |
| 3 | Plate, Rail Clamp, JSS | 2 |
| 4 | Bolt, M6x1.0, 16mm, Loctite, Flat Head, Socket | 4 |

JSS Front Rail Mount Pad Pack Service Kit

Part Number: JSS-KIT-037

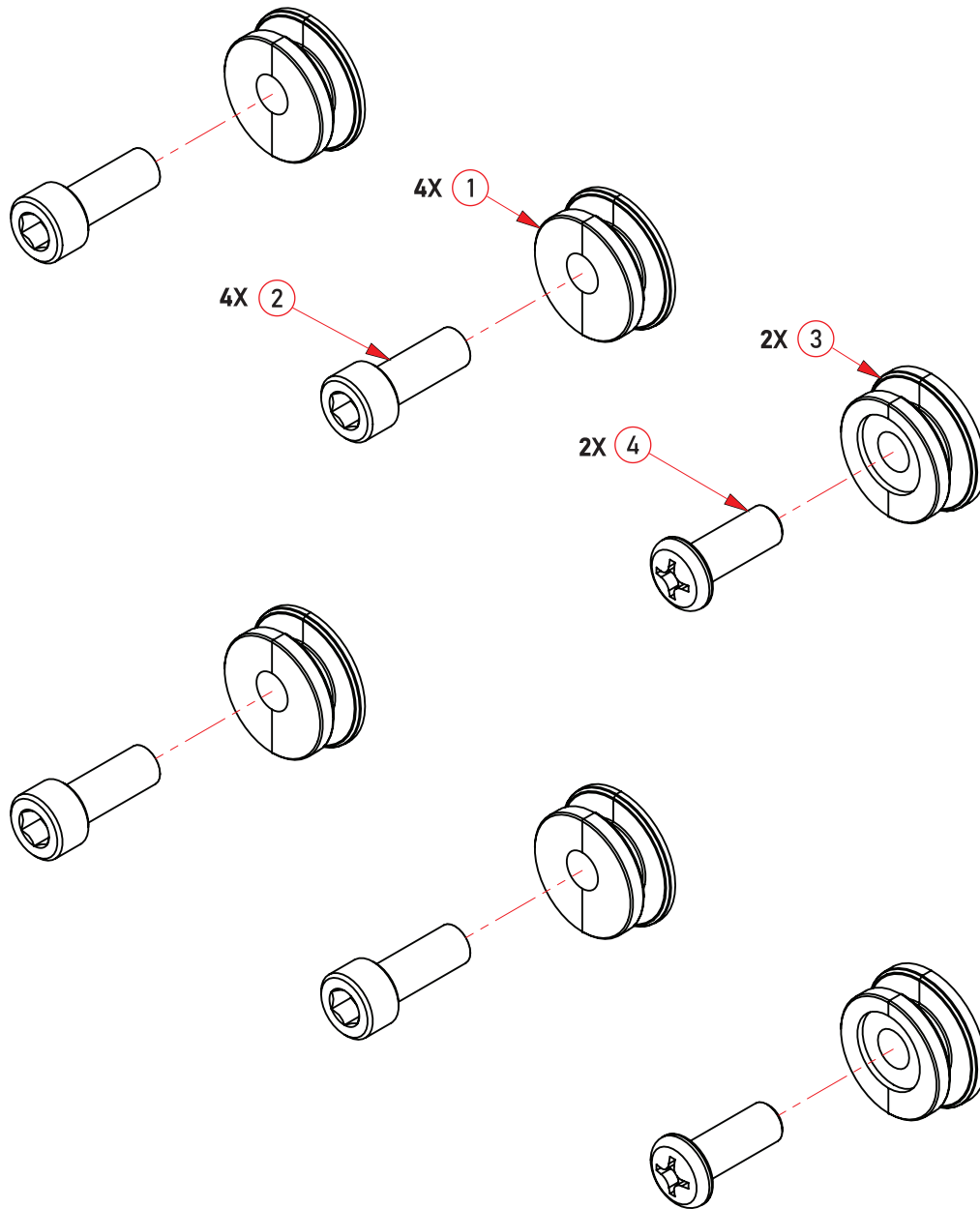


BILL OF MATERIALS

| ITEM NO. | DESCRIPTION | QTY |
|----------|--|-----|
| 1 | Pad, Rail Mount, Front, JSS | 4 |
| 2 | Pad, Rail Mount Left, Front, JSS | 2 |
| 3 | Bolt, M6x1.0, 16mm, Loctite, Button Head, Socket, Black Zinc | 6 |

JSS Rear Rail Mount Pad Pack Service Kit

Part Number: JSS-KIT-038

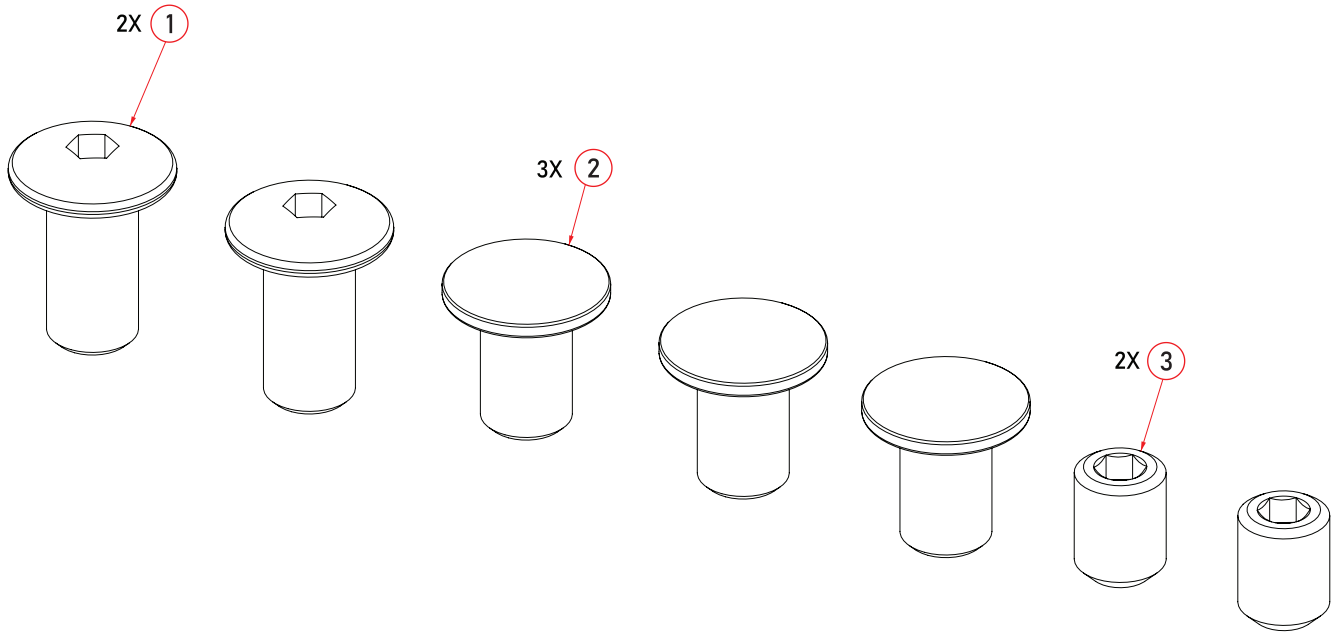


BILL OF MATERIALS

| ITEM NO. | DESCRIPTION | QTY |
|----------|--|-----|
| 1 | Pad, Rail Mount, Rear, JSS | 4 |
| 2 | Bolt, M6x1.0, 16mm, Loctite, Socket Head Cap, Black Zinc | 4 |
| 3 | Pad, Rail Mount Left, Rear, JSS | 2 |
| 4 | Bolt, M6x1.0, 16mm, Loctite, Button Head, Socket, Black Zinc | 2 |

JSS Table Insert Locking And Leveling Screws Service Kit

Part Number: JSS-KIT-048



| BILL OF MATERIALS | | |
|-------------------|---|-----|
| ITEM NO. | DESCRIPTION | QTY |
| 1 | Bolt, M6x1.0, 12mm, Loctite, Button Head, 3mm Socket | 2 |
| 2 | Bolt, M6x1.0, 9.5mm, Insert Leveling, Custom | 2 |
| 3 | Set Screw, M6x1.0, 8mm, Loctite, Socket Head, Flat Tip, Phosphate | 3 |

JSS Europe / UK Ruler Service Kit

Part Number: JSS-KIT-053

Europe and UK Version





SawStop, LLC
11555 SW Myslony St,
Tualatin, OR 97062 USA

EUROPE/UK **TTS Europe SE**
73240 Wendlingen a.N., DE

UK Rep
Authorised Rep Compliance Ltd., ARC House,
Thurnham, Lancaster, LA2 0DT, UK.

SawStop.eu/support
SupportEurope@SawStop.com