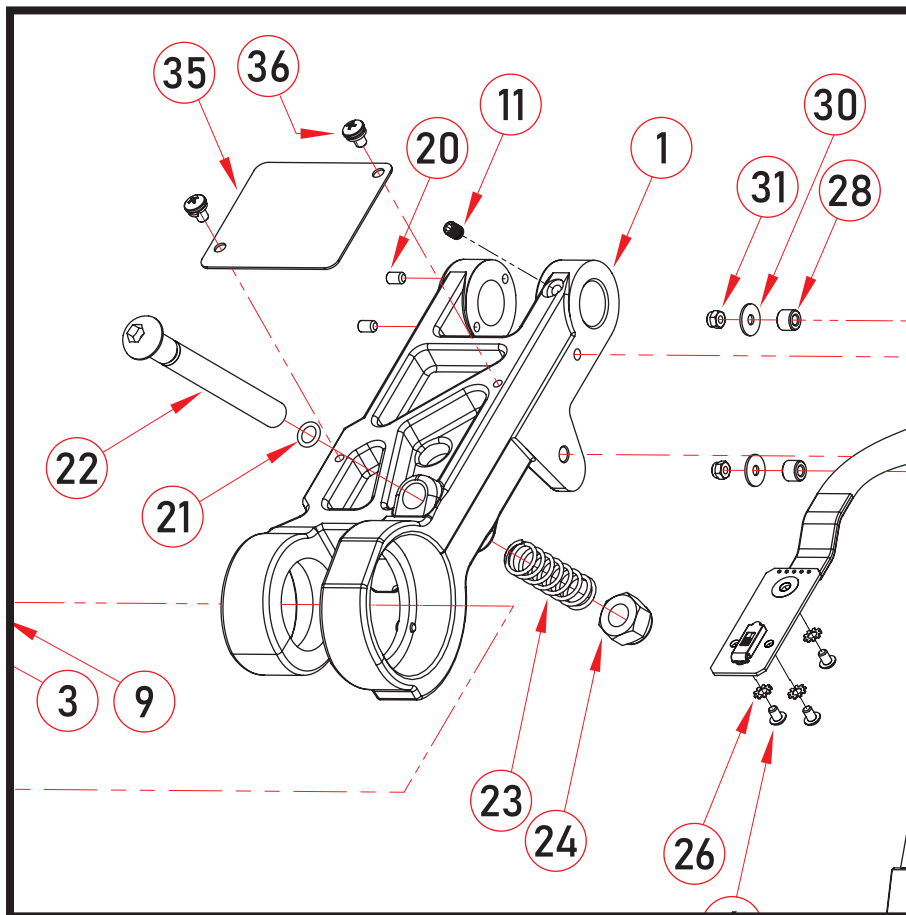




Model PCS31230-EU

# PROFESSIONAL CABINET SAW AND ACCESSORIES

## Parts Lists



# Table of Contents

## Saw Body

Switchbox Bracket Hardware Kit for PCS .....	8
Part Number: PCS-KIT-005	
Motor Door Kit for PCS .....	9
Part Number: PCS-KIT-020	
Cabinet Door Kit for PCS .....	10
Part Number: PCS-KIT-021	
Tilt Angle Scale Kit for PCS .....	11
Part Number: PCS-KIT-023	
Main Table for PCS (Europe and UK) .....	12
Part Number: PCS-KIT-024	
Cast Iron Table - Wing Hardware Kit for PCS (Europe & UK) .....	13
Part Number: PCS-KIT-025	
Accessory Holder Kit for PCS .....	14
Part Number: PCS-KIT-026	
Blade Wrench Holder for PCS .....	15
Part Number: PCS-KIT-027	
Table Wing Kit for PCS (Europe and UK) .....	16
Part Number: PCS-KIT-049	

## Fence Rails

Fence Rail Cap for T-Glide Fence System .....	17
Part Number: PCS-KIT-105	
36" Ruler .....	18
Part Number: PCS-KIT-106	
52" Ruler .....	19
Part Number: PCS-KIT-107	
Adjustment Bracket .....	20
Part Number: PCS-KIT-108	
Support Leg .....	21
Part Number: PCS-KIT-109	
English Documentation .....	22
Part Number: PCS-KIT-110	
German Documentation .....	23
Part Number: PCS-KIT-111	
Spanish Documentation .....	24
Part Number: PCS-KIT-112	
French Documentation .....	25
Part Number: PCS-KIT-113	
T-Glide Hardware Pack .....	26
Part Number: PCS-KIT-114	

## Rip Fence

Fence Face Extrusion For T-Glide Advance Professional Rip Fence .....	27
Part Number: ATGP-002	

Clamp Bar Assembly for T-Glide Advance Rip Fence .....	28
Part Number: ATGP-003	
Roller Sub-Assembly for T-Glide Advance Rip Fence .....	29
Part Number: ATGP-004	
Leveling Screw Assembly for T-Glide Advance Rip Fence .....	30
Part Number: ATGP-005	
Indicator Lens Assembly for T-Glide Advance Rip Fence .....	31
Part Number: ATGP-006	
Lock Handle Assembly for T-Glide Advance Rip Fence .....	32
Part Number: ATGP-007	
Handle Base Assembly for T-Glide Advance Rip Fence .....	33
Part Number: ATGP-008	
SawStop Label for T-Glide Advance Professional Rip Fence .....	34
Part Number: ATGP-010	
Flex Arm Assembly for T-Glide Advance Rip Fence .....	35
Part Number: ATGP-012	
Handle Assembly for Rip Fence .....	36
Part Number: ATGP-001	
End Cap Assembly for T-Glide Rip Fence .....	37
Part Number: ATGP-009	
Wedge Clamp .....	38
Part Number: ATGP-011	

## Motor and Power

Switchbox Assembly for PCS (Europe & UK) .....	39
Part Number: PCS-KIT-029	
Switchbox Key Kit for PCS .....	40
Part Number: PCS-KIT-033	
Main Power Cable for PCS (Europe and UK) .....	41
Part Number: PCS-KIT-034	
Motor Assembly for PCS (Europe and UK) .....	42
Part Number: PCS-KIT-035	
Motor Capacitor Kit for PCS .....	43
Part Number: PCS-KIT-036	
Contactora Box Assembly for PCS (Europe and UK) .....	44
Part Number: PCS-KIT-038	
Switchbox Sealing Kit for PCS (Europe and UK) .....	45
Part Number: PCS-KIT-046	

## Internal Assemblies

Brake Cartridge Key .....	46
Part Number: PCS-KIT-002	
Gas Spring Kit for PCS .....	47
Part Number: PCS-KIT-003	
Elevated Threaded Rod Kit for PCS .....	48
Part Number: PCS-KIT-004	
Tilt Shaft Kit for PCS .....	49
Part Number: PCS-KIT-006	

Tilt Lock Kit for PCS .....	50
Part Number: PCS-KIT-007	
Tilt Bracket Kit for PCS .....	51
Part Number: PCS-KIT-008	
Elevation Shaft Kit for PCS .....	52
Part Number: PCS-KIT-009	
Elevation Control Kit for PCS .....	53
Part Number: PCS-KIT-010	
Tilt Wheel Kit for PCS .....	54
Part Number: PCS-KIT-011	
Elevation Wheel Kit for PCS .....	55
Part Number: PCS-KIT-012	
Elevation Gear Kit for PCS .....	56
Part Number: PCS-KIT-013	
Front Trunnion Bracket for PCS .....	57
Part Number: PCS-KIT-014	
Rear Trunnion Bracket for PCS .....	58
Part Number: PCS-KIT-015	
Dust Shroud Kit for PCS .....	59
Part Number: PCS-KIT-016	
Belt Kit for PCS .....	60
Part Number: PCS-KIT-017	
Rubber Bumper Kit for PCS .....	61
Part Number: PCS-KIT-018	
Dust Port Kit for PCS .....	62
Part Number: PCS-KIT-019	
Riving Knife Clamp Assembly for PCS (Europe and UK) .....	63
Part Number: PCS-KIT-032	
Cartridge Cable Kit for PCS .....	64
Part Number: PCS-KIT-037	
Arbor Block Assembly Kit for PCS .....	65
Part Number: PCS-KIT-041	
Retraction Bracket Kit for PCS .....	66
Part Number: PCS-KIT-042	

## Accessories

Replacement Push Stick .....	67
Part Number: PCS-KIT-001	
PCS31230-EU Owner's Manual .....	68
Part Number: PCS-KIT-022 (English), PCS-KIT-052 (German), PCS-KIT-053 (French), PCS-KIT-054 (Spanish)	
Inner Guard Shell Kit for PCS (Europe and UK) .....	69
Part Number: PCS-KIT-028	
Blade Guard Shell Assembly for PCS (Europe & UK) .....	70
Part Number: PCS-KIT-030	
Miter Gauge Assembly for PCS (Europe and UK) .....	71
Part Number: PCS-KIT-031	
Dado Arbor Nut and Washer .....	72
Part Number: PCS-KIT-039	
Blade Wrench Kit for PCS .....	73
Part Number: PCS-KIT-040	

Push Block Kit for PCS .....	74
Part Number: PCS-KIT-043	
Main, Outfeed Table for PCS (Europe and UK) .....	75
Part Number: PCS-KIT-044	
Arbor Nut & Washer for PCS (Europe and UK) .....	76
Part Number: PCS-KIT-045	
Riving Knife Kit, 250MM for PCS .....	77
Part Number: PCS-KIT-047	
Spreader Kit for PCS (Europe and UK) .....	78
Part Number: PCS-KIT-048	
Riving Knife Kit, 254MM for PCS .....	79
Part Number: PCS-KIT-050	
Anti-kickback Pawl Assembly for PCS, JSS, CTS .....	80
Part Number: PCS-KIT-051	
Safety and General Use Instructions for Table Saws - 13 languages. ....	81
Part Number: PCS-KIT-055	
Dado Table Insert Kit for PCS (Europe and UK) .....	82
Part Number: TSI-DLD-I	
Table Insert Kit for PCS (Europe and UK) .....	83
Part Number: TSI-SLD-I	

## **MB-PCS-000-I**

Foot Pedal .....	84
Part Number: PCS-KIT-115	
Fixed Wheel Assembly .....	85
Part Number: PCS-KIT-116	
Component Refresh .....	86
Part Number: PCS-KIT-117	
Hydraulic Jack .....	87
Part Number: PCS-KIT-118	
Release Pedal .....	88
Part Number: PCS-KIT-119	
Caster Wheel .....	89
Part Number: PCS-KIT-120	
Retention Strap .....	90
Part Number: PCS-KIT-121	

## **TSA-ODC-I**

Dust Tube .....	91
Part Number: PCS-KIT-101	
Dust Port Splitter .....	92
Part Number: PCS-KIT-102	
Dust Collection Hose .....	93
Part Number: PCS-KIT-103	
Mounting Bracket .....	94
Part Number: PCS-KIT-104	

## TSA-FDC-I

Hardware Pack .....	95
Part Number: PCS-KIT-146	
Dust Tube .....	97
Part Number: PCS-KIT-147	
Guard Assembly .....	98
Part Number: PCS-KIT-148	
Dust Tube Hardware Kit .....	99
Part Number: PCS-KIT-149	
Floating Guard Hardware Kit .....	100
Part Number: PCS-KIT-150	
Mounting Bracket .....	101
Part Number: PCS-KIT-151	
Mounting Bracket Hardware Kit .....	102
Part Number: PCS-KIT-152	
Support Leg .....	104
Part Number: PCS-KIT-153	
Support Leg Hardware Kit .....	105
Part Number: PCS-KIT-154	
Extension Leg .....	106
Part Number: PCS-KIT-155	
Extension Leg Hardware Kit .....	107
Part Number: PCS-KIT-156	
Dust Tube Guide Bar .....	108
Part Number: PCS-KIT-157	
Dust Tube Guide Sleeve .....	109
Part Number: PCS-KIT-158	
Dust Tube Outer Sleeve .....	110
Part Number: PCS-KIT-159	
Guard Ribs .....	111
Part Number: PCS-KIT-160	

## TSA-FOT-I

132mm Table Roller .....	112
Part Number: PCS-KIT-135	
170mm Table Roller .....	113
Part Number: PCS-KIT-136	
Leg Replacement .....	114
Part Number: PCS-KIT-137	
Rail Clamp .....	115
Part Number: PCS-KIT-138	
Documentation .....	116
Part Number: PCS-KIT-139 (English), PCS-KIT-140 (German), PCS-KIT-141 (Spanish), PCS-KIT-142 (French)	
End Cap .....	117
Part Number: PCS-KIT-143	
Table Tube .....	118
Part Number: PCS-KIT-144	
Table Support Tube .....	119
Part Number: PCS-KIT-145	

**TSA-SA48-I**

**Support Leg** ..... 120  
Part Number: PCS-KIT-122

**Extension Wing** ..... 121  
Part Number: PCS-KIT-123

**Switch Box Bracket** ..... 122  
Part Number: PCS-KIT-124

**Sliding Table Lock** ..... 123  
Part Number: PCS-KIT-125

**Flip Stop** ..... 124  
Part Number: PCS-KIT-126

**Ruler** ..... 125  
Part Number: PCS-KIT-127

**Extension Support** ..... 126  
Part Number: PCS-KIT-128

**Glide Pad Replacement** ..... 127  
Part Number: PCS-KIT-129

**Miter Head Lock** ..... 128  
Part Number: PCS-KIT-130

**Main Fence Assembly** ..... 129  
Part Number: PCS-KIT-131

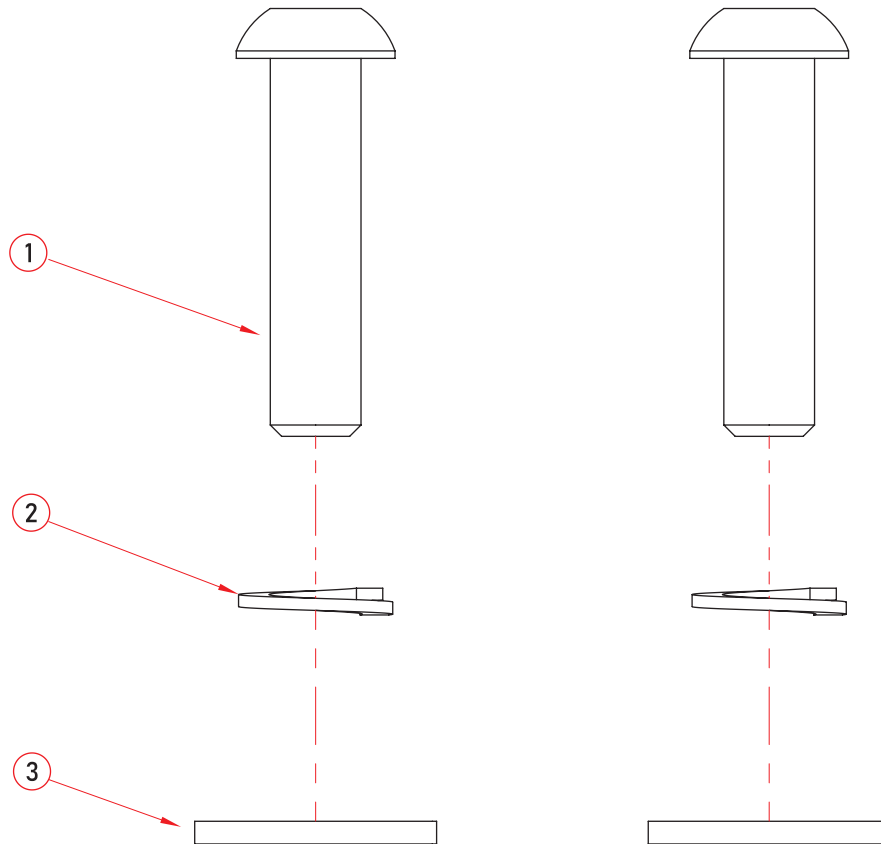
**Fence Lock Knob** ..... 130  
Part Number: PCS-KIT-132

**Miter Gauge Head** ..... 131  
Part Number: PCS-KIT-133

**Hardware Kit** ..... 132  
Part Number: PCS-KIT-134

# Switchbox Bracket Hardware Kit for PCS

Part Number: PCS-KIT-005

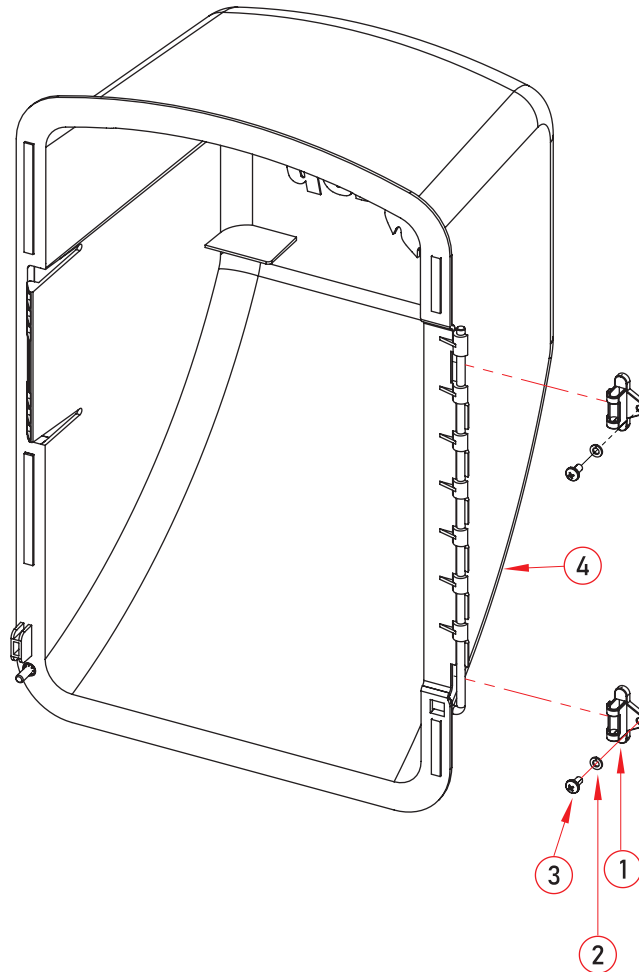


## BILL OF MATERIALS

ITEM NO.	DESCRIPTION	QTY
1	Bolt, M6x1.0, 25mm, Button Head, Socket	2
2	Washer, M6, Lock	2
3	Washer, M6, Flat, 16mm ODx1.5mm THK, Black Oxide	2

# Motor Door Kit for PCS

Part Number: PCS-KIT-020

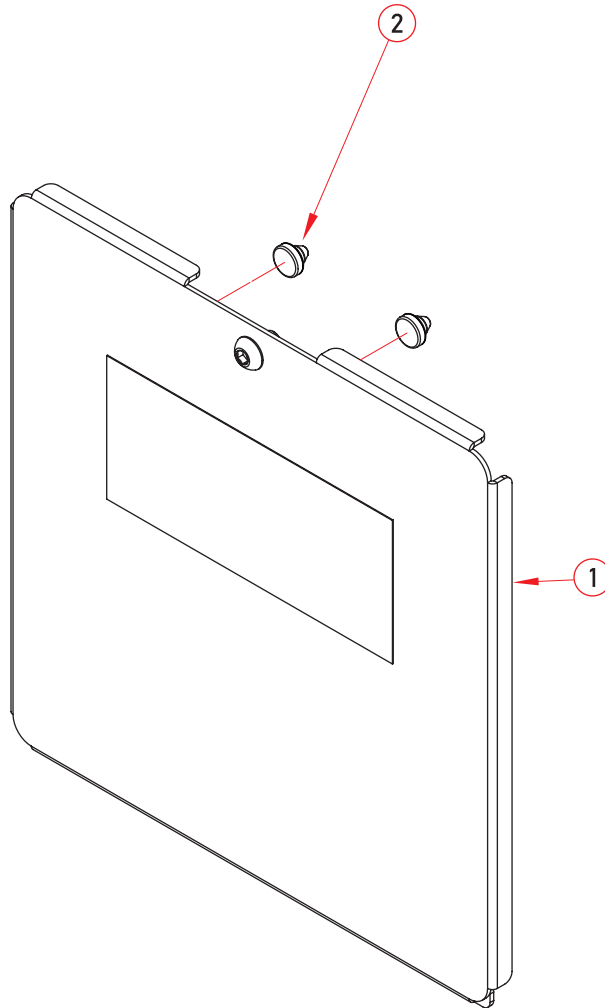


## BILL OF MATERIALS

ITEM NO.	DESCRIPTION	QTY
1	Bracket, Mounting, Motor Cover, PCS	2
2	Washer, M5, Lock	2
3	Bolt, M5x0.8, 8mm, Button Head, Phillips	2
4	Motor Cover Assembly	1

# Cabinet Door Kit for PCS

Part Number: PCS-KIT-021

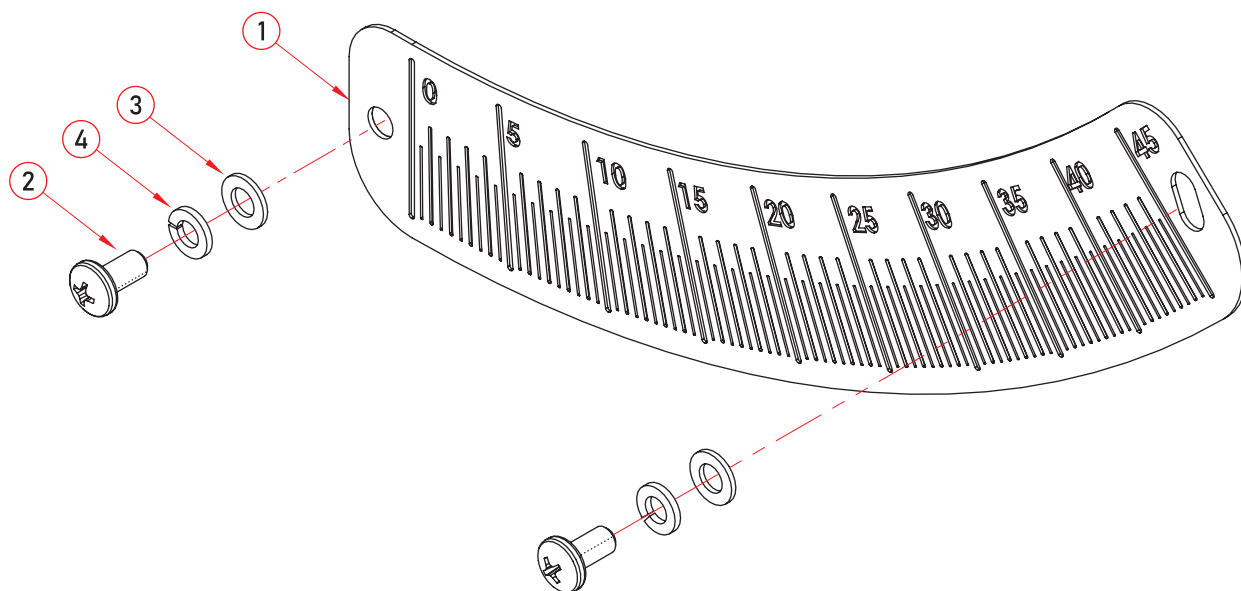


## BILL OF MATERIALS

ITEM NO.	DESCRIPTION	QTY
1	Cabinet Door Assembly	1
2	Bumper, Rubber Grommet, 12mm ODx3mm THK, PCS	2

# Tilt Angle Scale Kit for PCS

Part Number: PCS-KIT-023

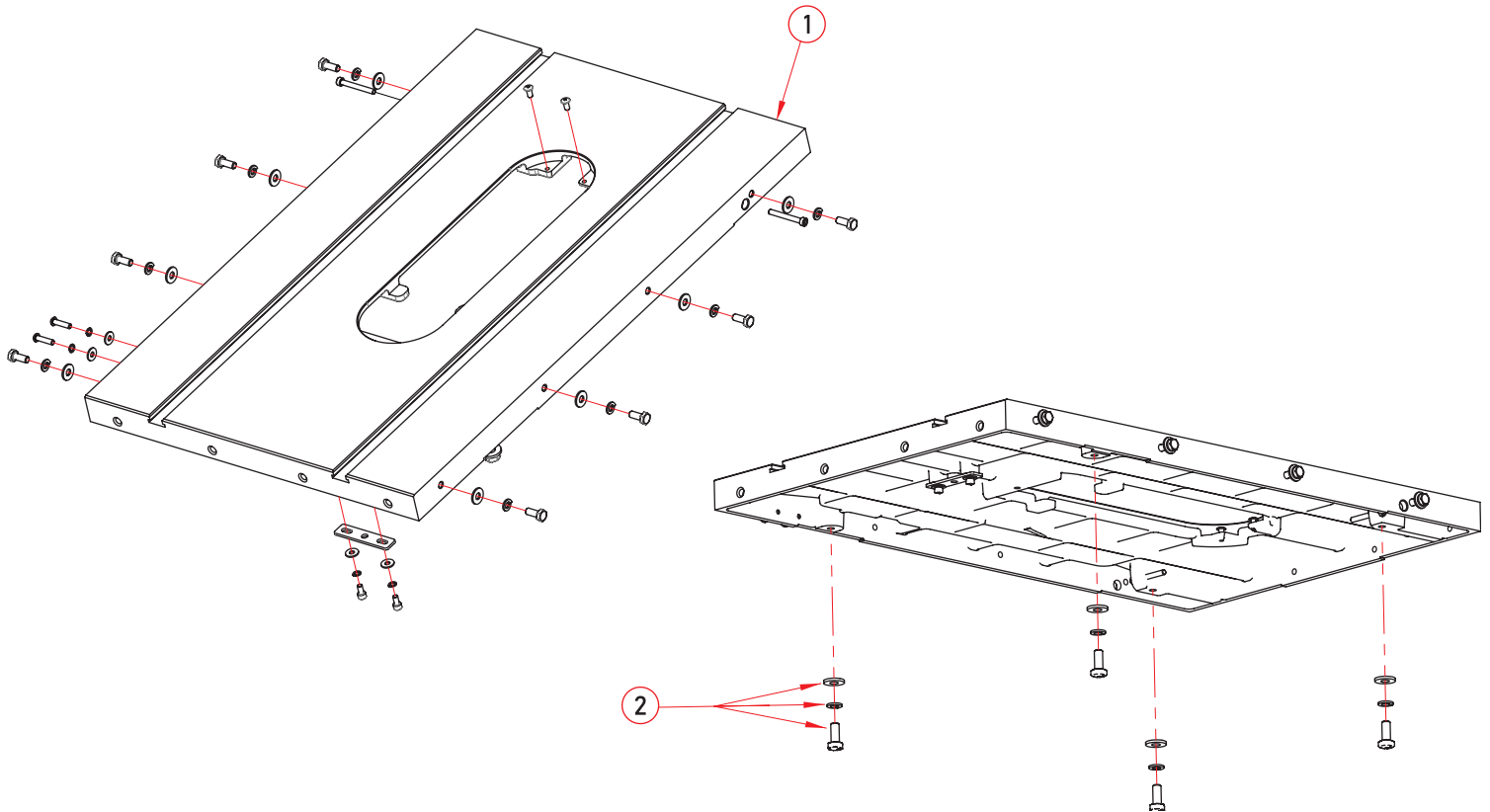


## BILL OF MATERIALS

ITEM NO.	DESCRIPTION	QTY
1	Ruler, Angle, PCS	1
2	Bolt, M5x0.8, 8mm, Button Head, Phillips	2
3	Washer, M5, Flat, 10mm ODx1mm THK	2
4	Washer, M5, Lock	2

# Main Table for PCS (Europe and UK)

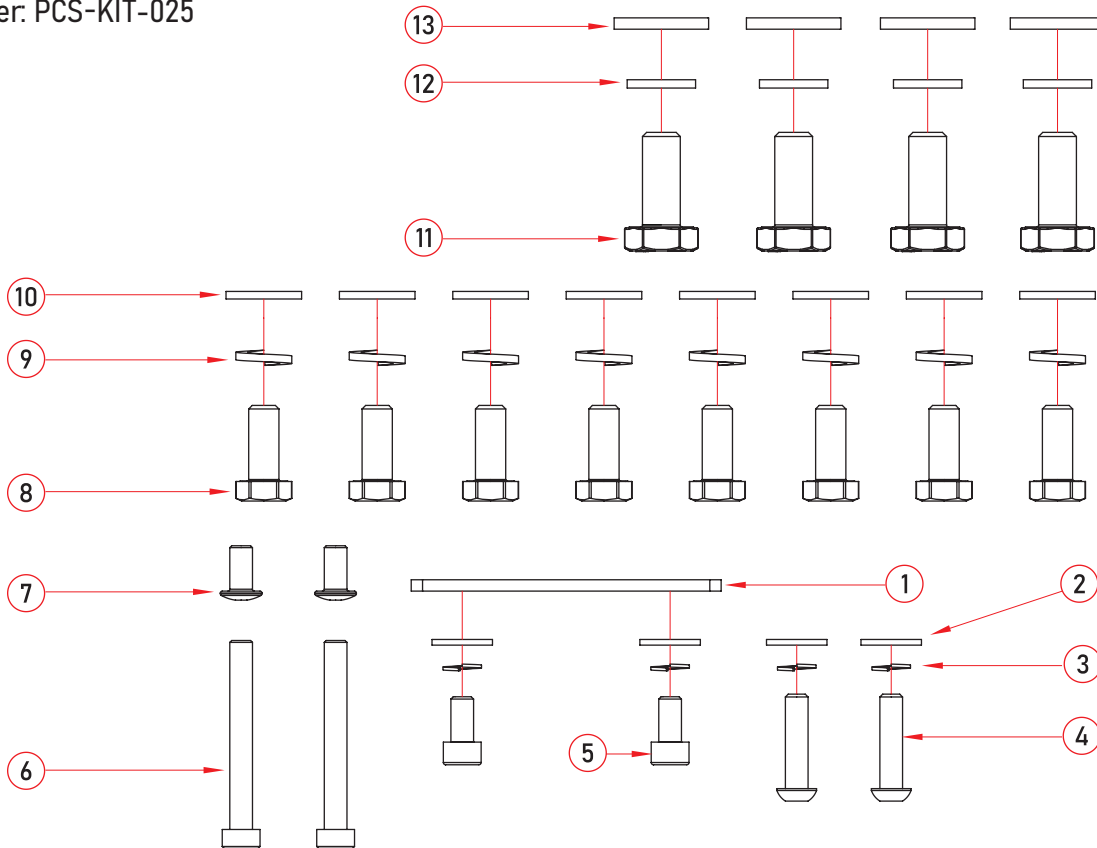
Part Number: PCS-KIT-024



BILL OF MATERIALS		
ITEM NO.	DESCRIPTION	QTY
1	Table, Main	1
2	Cast Iron Table - Wing Hardware Kit, PCS-KIT-025	1

# Cast Iron Table - Wing Hardware Kit for PCS (Europe & UK)

Part Number: PCS-KIT-025

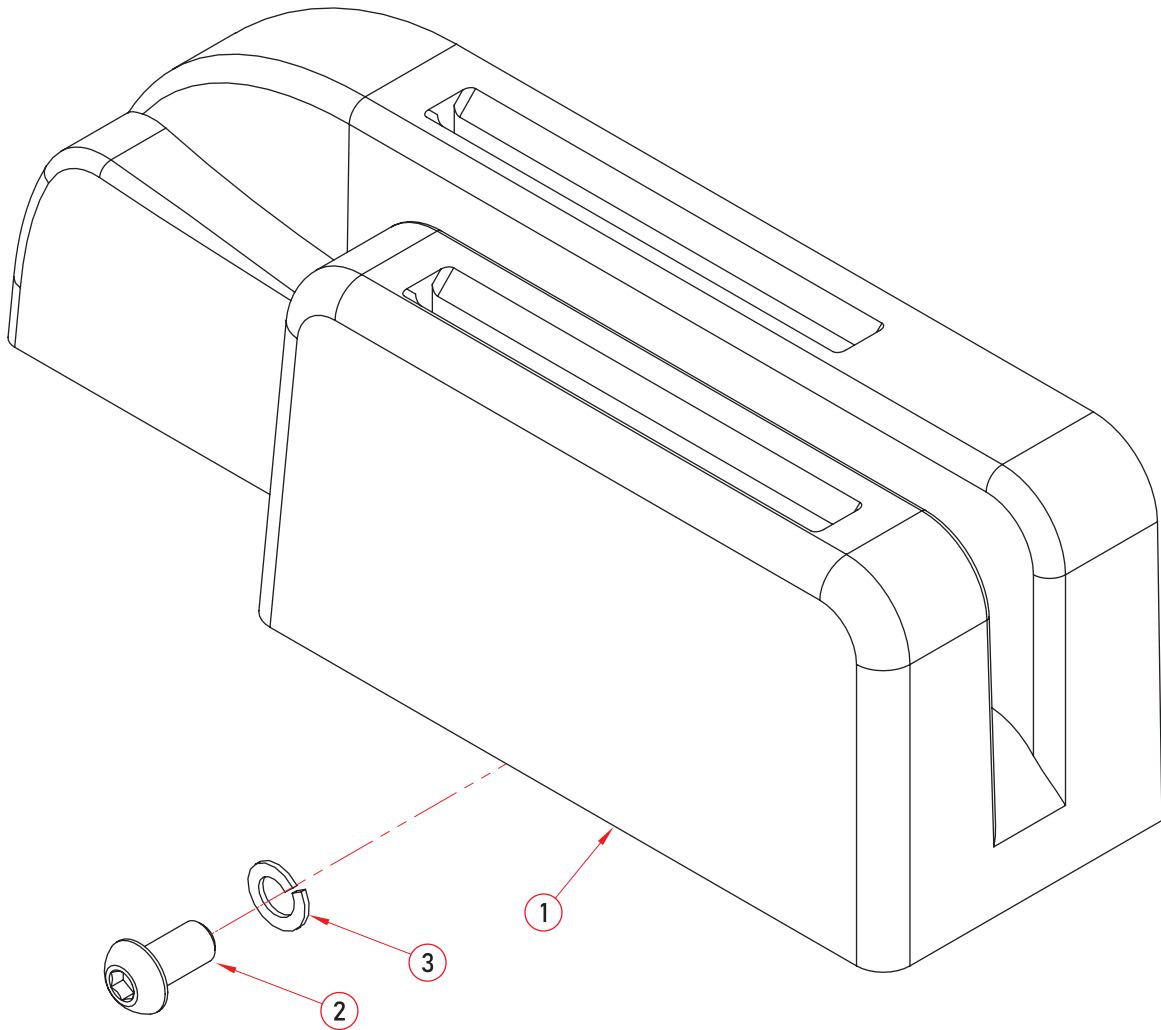


## BILL OF MATERIALS

ITEM NO.	DESCRIPTION	QTY
1	Bracket, Table Alignment	1
2	Washer, M6, Flat, 16mm ODx1.5mm THK, Black Oxide	4
3	Washer, M6, Lock	4
4	Bolt, M6x1.0, 25mm, Button Head, Socket	2
5	Bolt, M6x1.0, 12mm, Socket Head Cap	2
6	Bolt, M6x1.0, 50mm, Socket Head Cap	2
7	Bolt, M6x1.0, 12mm, Loctite, Button Head, 3mm Socket	2
8	Bolt, M8x1.25, 20mm, Hex Head	8
9	Washer, M8, Lock	8
10	Washer, M8, Flat, 20mm ODx2mm THK	8
11	Bolt, M10x1.5, 25mm, Hex Head	4
12	Washer, M10, Lock	4
13	Washer, M10, Flat, 25mm ODx3mm THK	4

# Accessory Holder Kit for PCS

Part Number: PCS-KIT-026

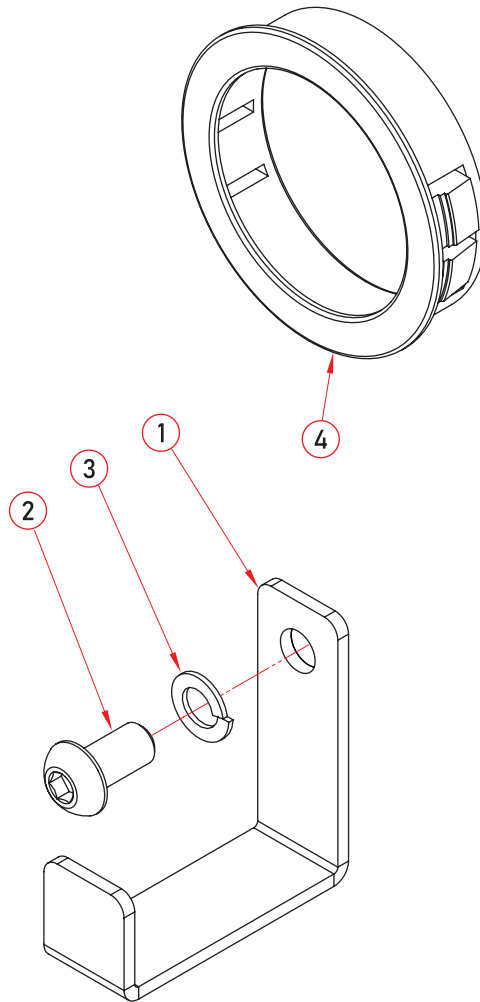


## BILL OF MATERIALS

ITEM NO.	DESCRIPTION	QTY
1	Holder, Accessory Tool, PCS	1
2	Bolt, M6x1.0, 12mm, Button Head, Socket	1
3	Washer, M6, Lock	1

# Blade Wrench Holder for PCS

Part Number: PCS-KIT-027

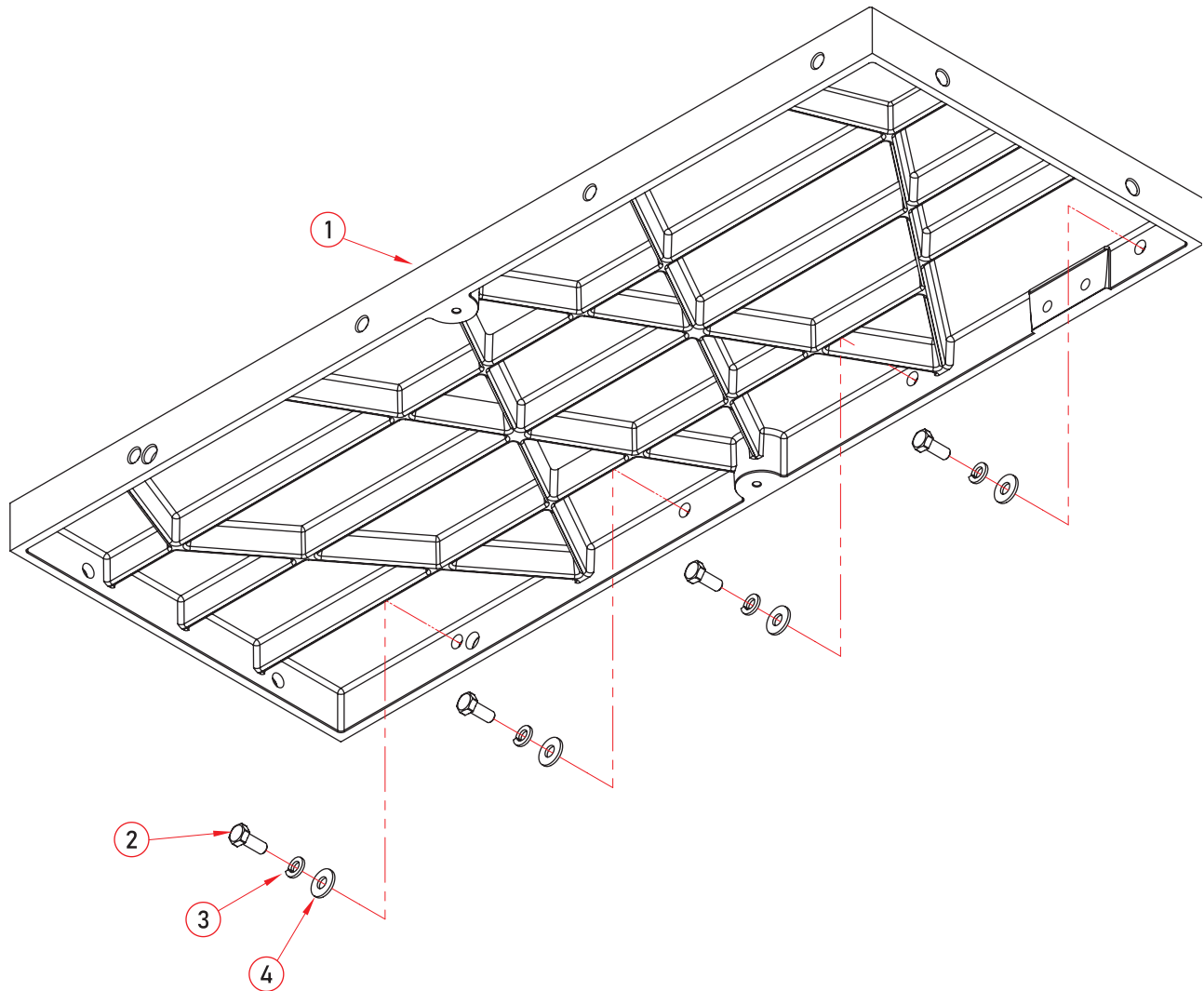


## BILL OF MATERIALS

ITEM NO.	DESCRIPTION	QTY
1	Holder, Blade Wrench, PCS	1
2	Bolt, M6x1.0, 12mm, Button Head, Socket	1
3	Washer, M6, Lock	1
4	Grommet, Cable, 36mm ID, Nylon	1

# Table Wing Kit for PCS (Europe and UK)

Part Number: PCS-KIT-049



## BILL OF MATERIALS

ITEM NO.	DESCRIPTION	QTY
1	Wing, Cast Iron	1
2	Bolt, M8x1.25, 20mm, Hex Head	4
3	Washer, M8, Lock	4
4	Washer, M8, Flat, 20mm ODx2mm THK	4

# Fence Rail Cap for T-Glide Fence System

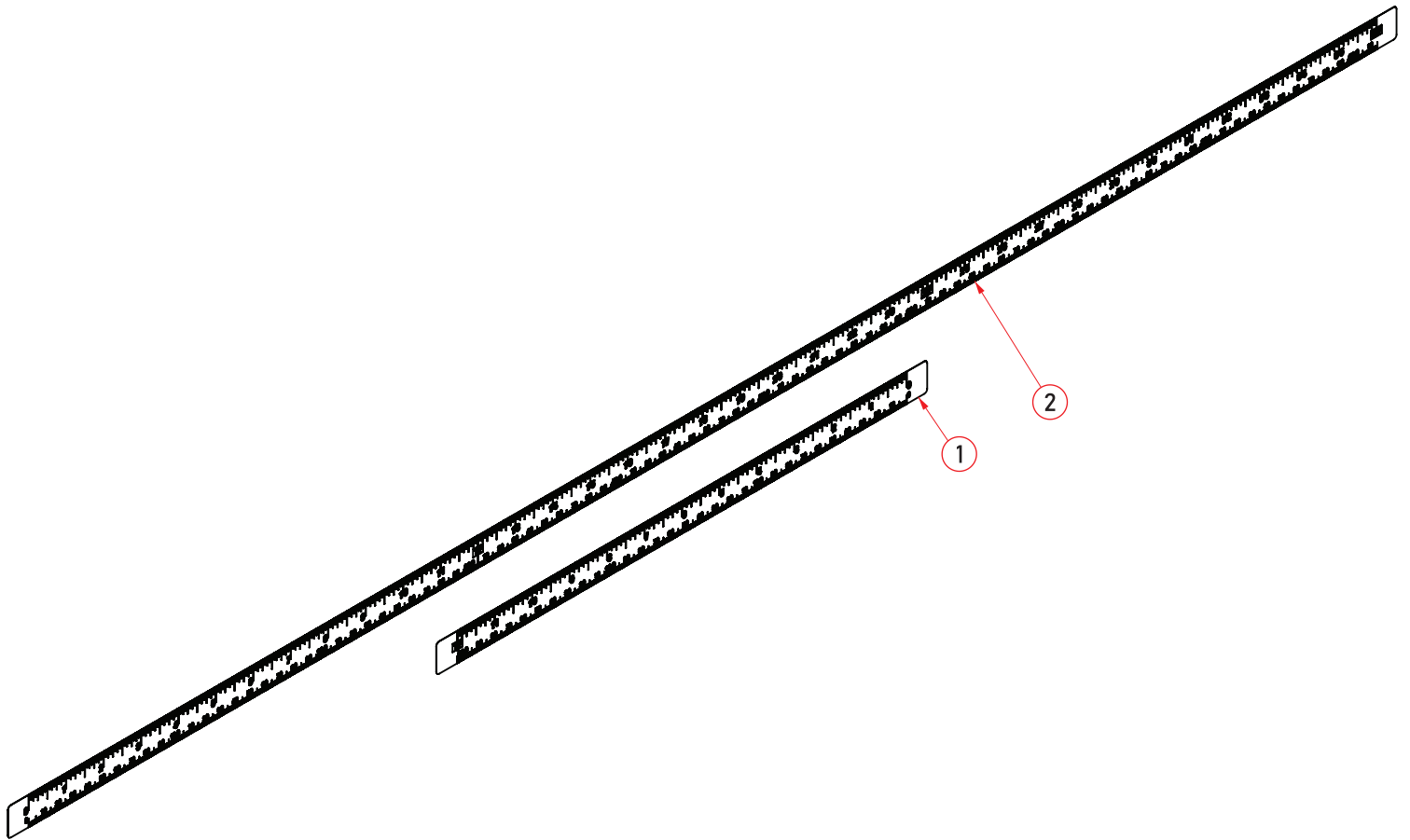
Part Number: PCS-KIT-105



BILL OF MATERIALS		
ITEM NO.	DESCRIPTION	QTY
1	Fence Rail Cap	1

# 36" Ruler for T-Glide Fence System

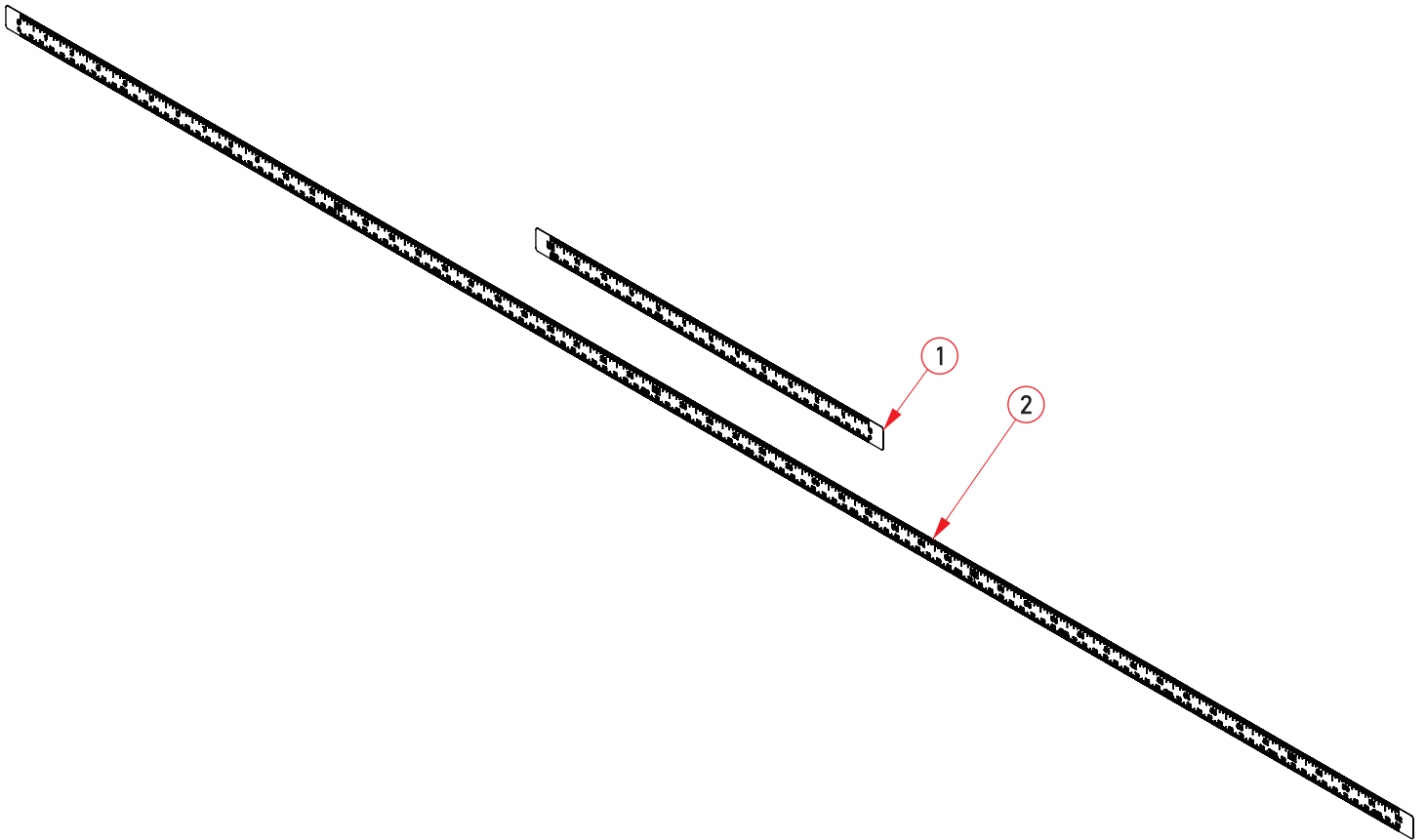
Part Number: PCS-KIT-106



BILL OF MATERIALS		
ITEM NO.	DESCRIPTION	QTY
1	Ruler, 12"	1
2	Ruler, 36"	1

# 52" Ruler for T-Glide Fence System

Part Number: PCS-KIT-107

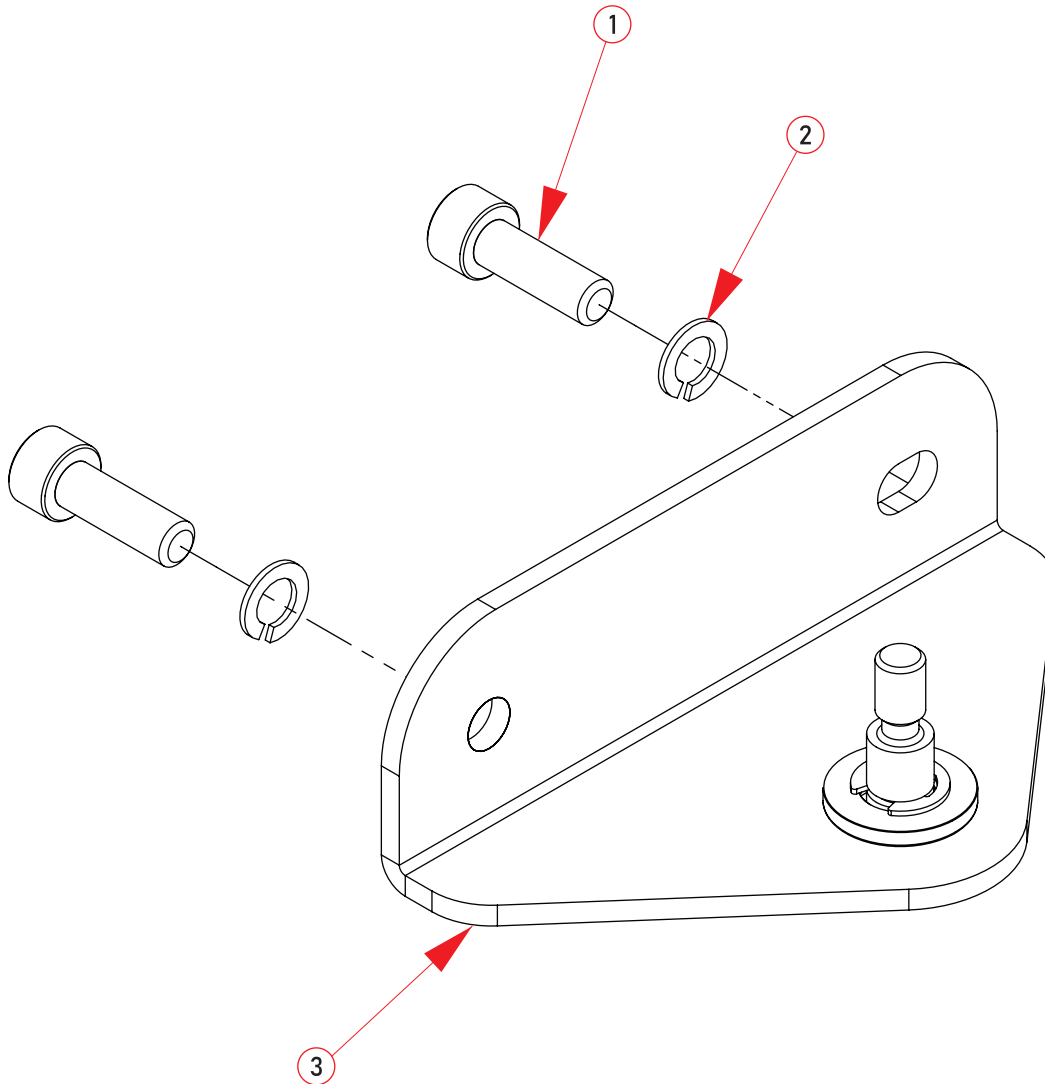


## BILL OF MATERIALS

ITEM NO.	DESCRIPTION	QTY
1	Ruler, 12"	1
2	Ruler, 52"	1

# Adjustment Bracket

Part Number: PCS-KIT-108

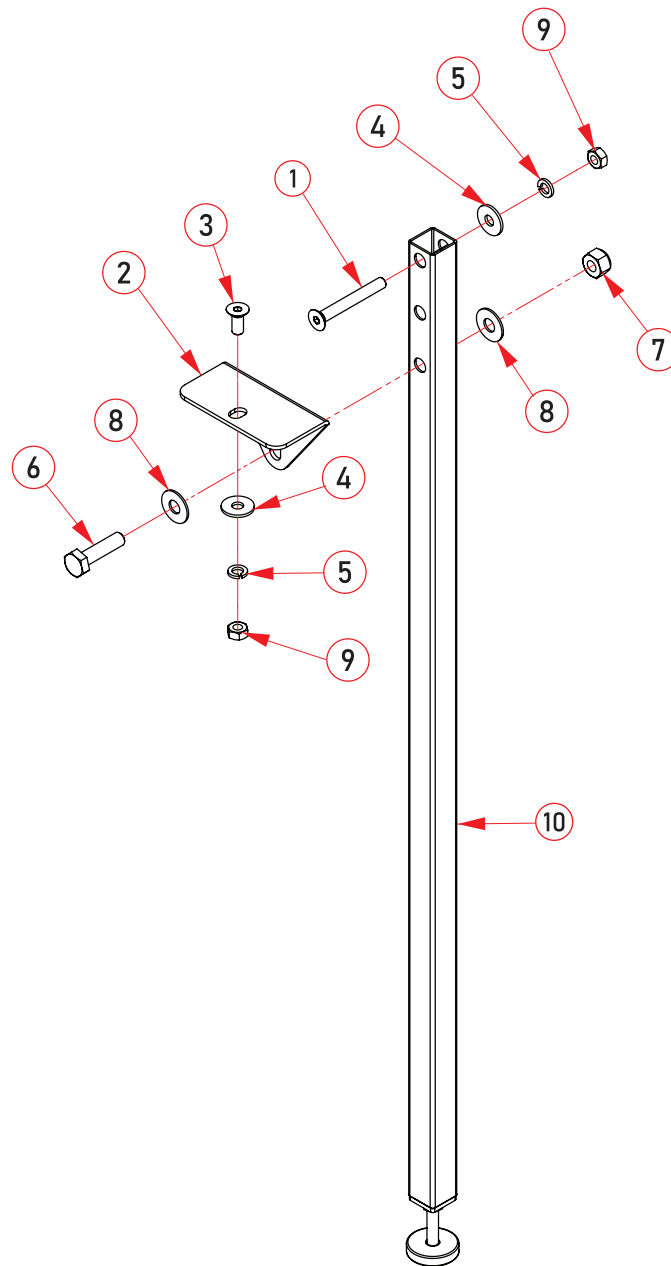


## BILL OF MATERIALS

ITEM NO.	DESCRIPTION	QTY
1	Bolt, M6x1.0, 18mm, Socket Head Cap	2
2	Washer, M6, Lock	2
3	Bracket Assembly	1

# Support Leg

Part Number: PCS-KIT-109



BILL OF MATERIALS		
ITEM NO.	DESCRIPTION	QTY
1	Bolt, M8x1.25, 65mm, Flat Head, Socket	1
2	Bracket, Leg Support, TGP2	1
3	Bolt, M8x1.25, 20mm, Flat Head Socket	1
4	Washer, M8, Flat, 23mm ODx2mm THK	2
5	Washer, M8, Lock, Black Oxide	2
6	Bolt, M10x1.5, 40mm, Hex Head	1
7	Nut, M10x1.5, Nylon Insert	1
8	Washer, M10, Flat, 25mm ODx1.5mm THK	2
9	Nut, M8x1.25, 13mm, Hex	2
10	Support Leg Assembly	1



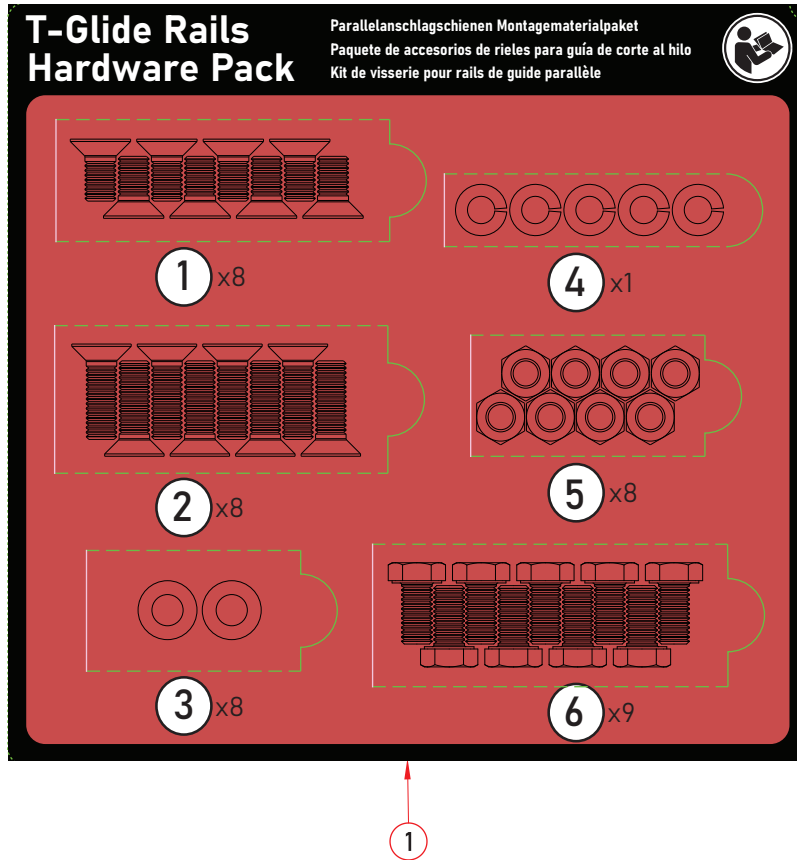






# T-Glide Hardware Pack

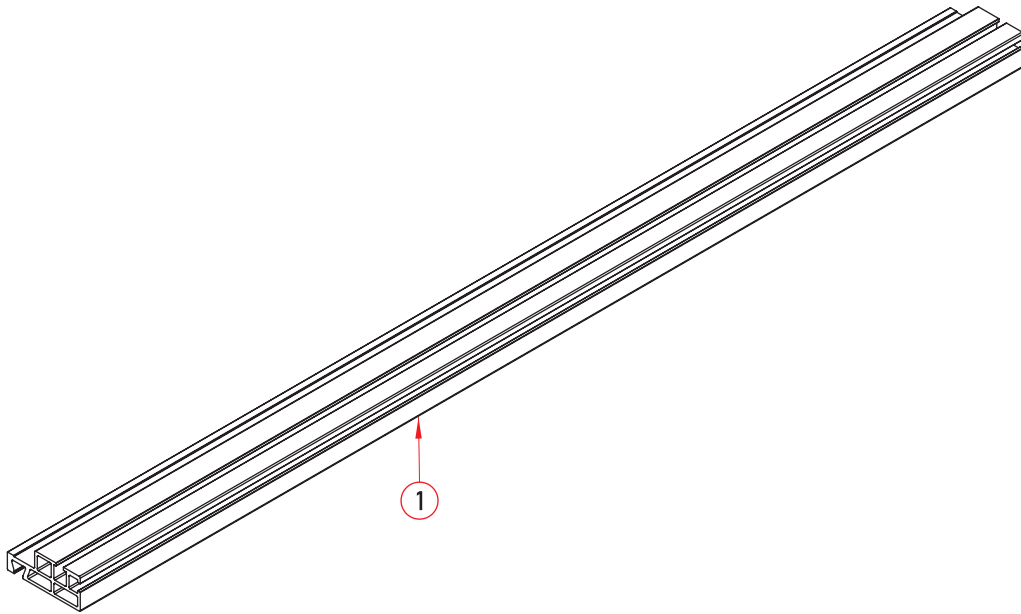
Part Number: PCS-KIT-114



BILL OF MATERIALS		
ITEM NO.	DESCRIPTION	QTY
1	Hardware Pack, T-Glide Advance	1

# Fence Face Extrusion For T-Glide Advance Professional Rip Fence

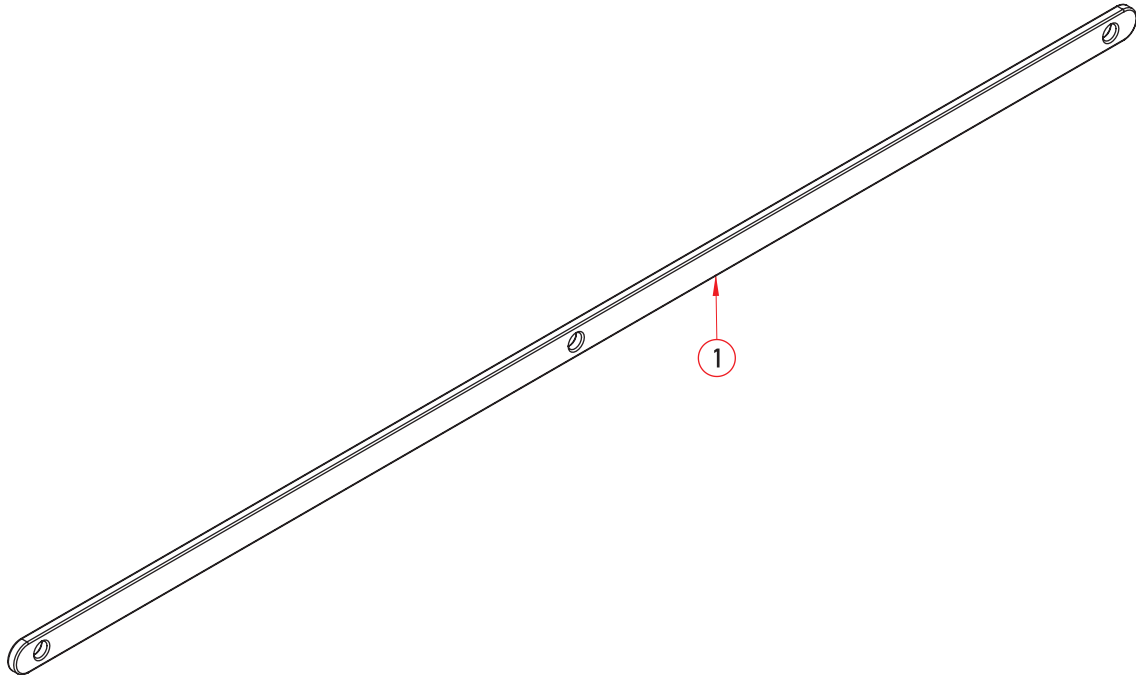
Part Number: ATGP-002



BILL OF MATERIALS		
ITEM NO.	DESCRIPTION	QTY
1	Fence Face Extrusion for T-Glide Advance Professional Rip Fence	1

# Clamp Bar Assembly for T-Glide Advance Rip Fence

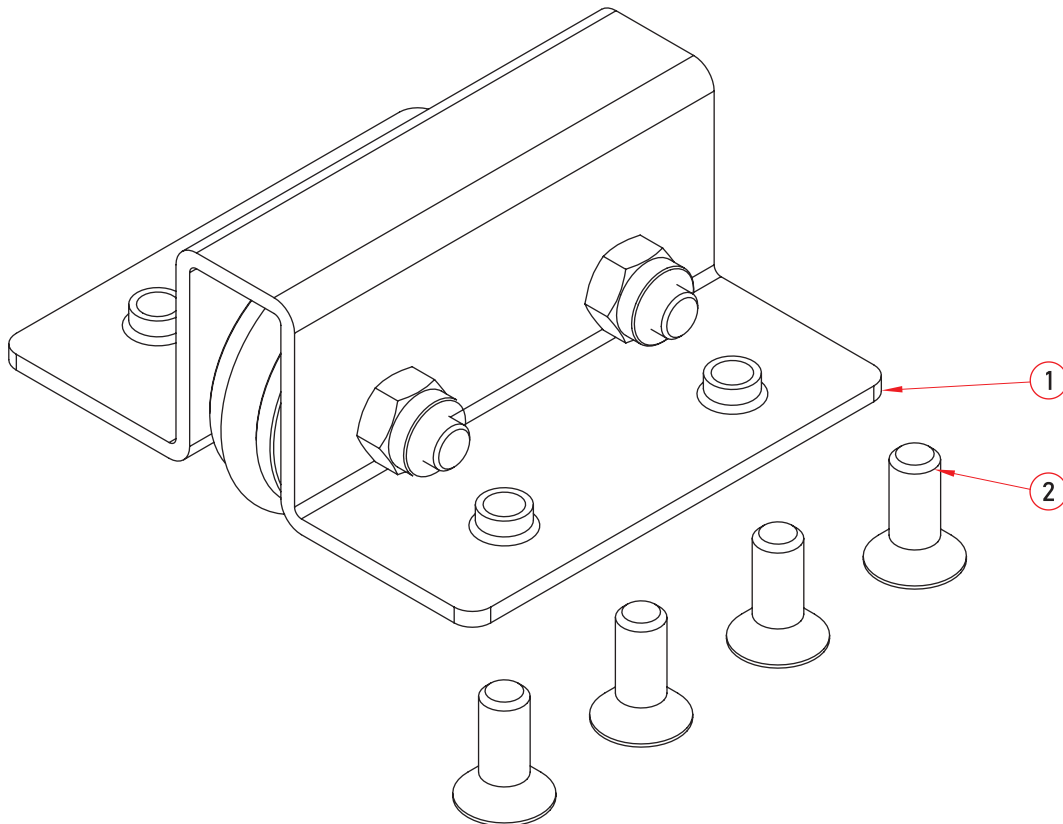
Part Number: ATGP-003



BILL OF MATERIALS		
ITEM NO.	DESCRIPTION	QTY
1	Clamp Bar Assembly for T-Glide Advance Rip Fence	1

# Roller Sub-Assembly for T-Glide Advance Rip Fence

Part Number: ATGP-004

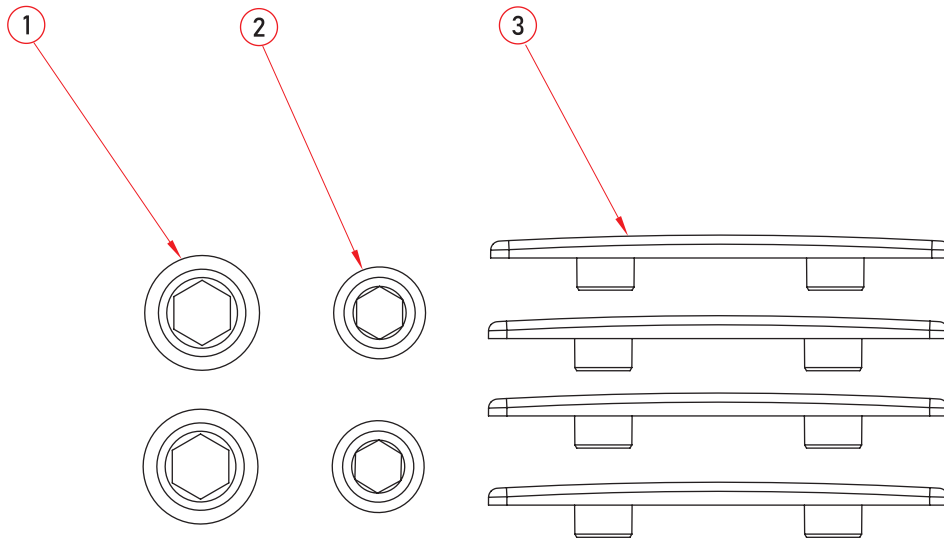


## BILL OF MATERIALS

ITEM NO.	DESCRIPTION	QTY
1	Roller Assembly, Fence, T-Glide Advance	1
2	Bolt, M4x0.7, 10mm, Flat Head, Hex, Black Zinc	4

# Leveling Screw Assembly for T-Glide Advance Rip Fence

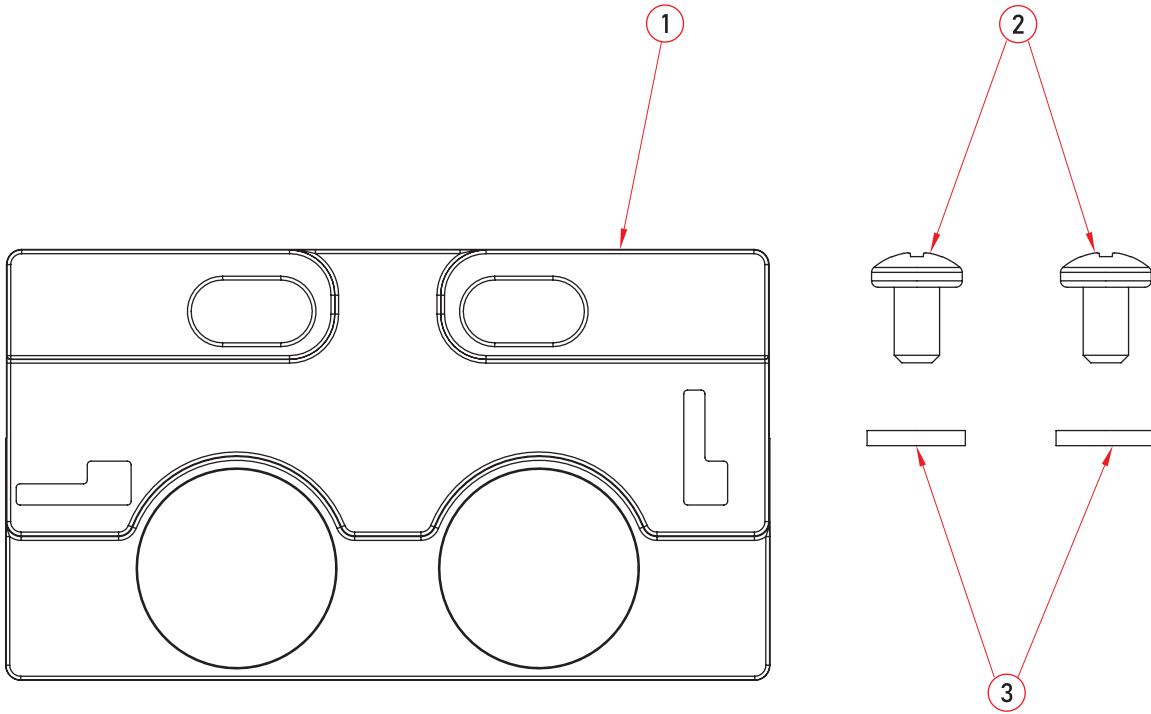
Part Number: ATGP-005



BILL OF MATERIALS		
ITEM NO.	DESCRIPTION	QTY
1	Bolt, Leveling Adjustment, Delrin, M12x1.75, 13mm, 6mm Socket	2
2	Set Screw, M10x1.5, 8mm, Loctite, Socket Head, Black Zinc	2
3	Glide, Fence-Rail, TGI	4

# Indicator Lens Assembly for T-Glide Advance Rip Fence

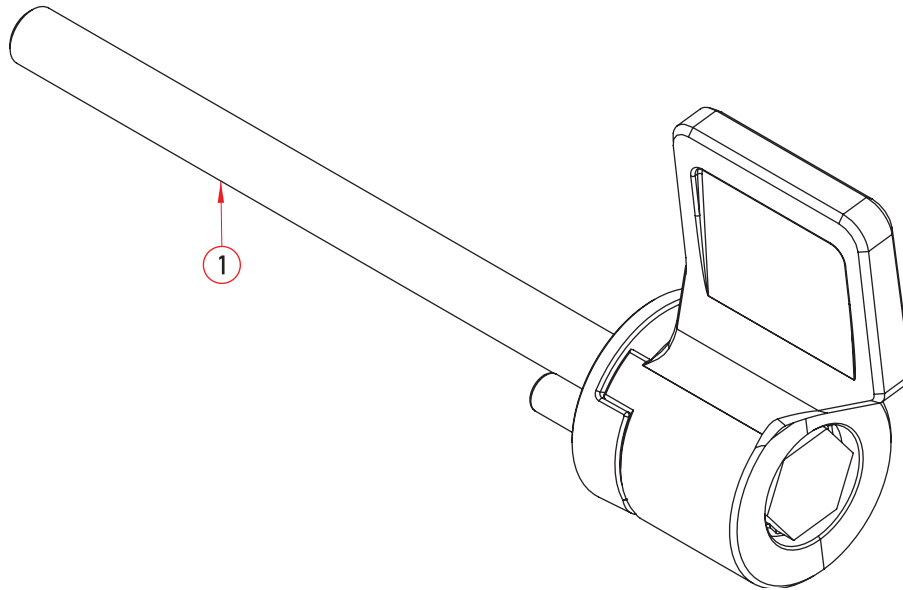
Part Number: ATGP-006



BILL OF MATERIALS		
ITEM NO.	DESCRIPTION	QTY
1	Lens, Position Indicator, T-Glide Advance	1
2	Bolt, M6x1.0, 10mm, Pan Head, Phillips, Silver Zinc	2
3	Washer, M6, Flat, 13mm ODx2mm THK, Silver Zinc	2

# Lock Handle Assembly for T-Glide Advance Rip Fence

Part Number: ATGP-007

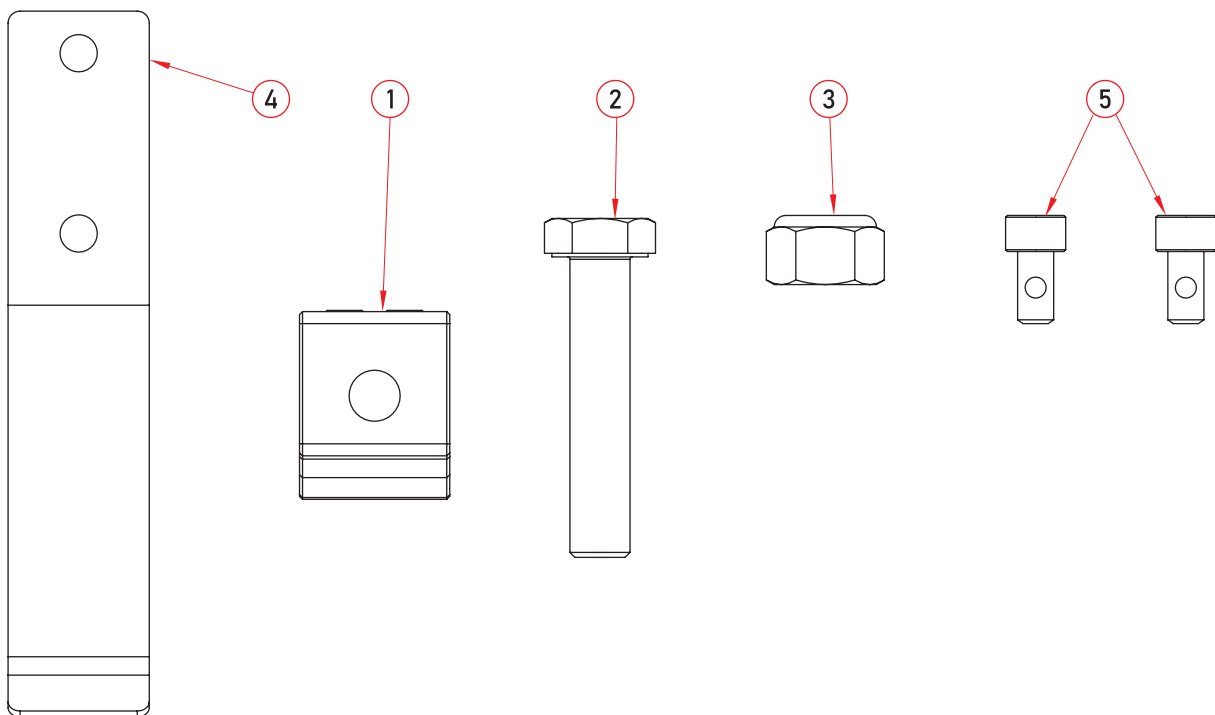


## BILL OF MATERIALS

ITEM NO.	DESCRIPTION	QTY
1	Lock Handle, Assembly, T-Glide Advance	1

# Handle Base Assembly for T-Glide Advance Rip Fence

Part Number: ATGP-008



## BILL OF MATERIALS

ITEM NO.	DESCRIPTION	QTY
1	Cam Lock, Fence Handle	1
2	Bolt, M10x1.5, 50mm, Hex Head, Black Zinc	1
3	Nut, M10x1.5, Nylon Insert	1
4	Plate, Flex	1
5	Bolt, M6x1.0, 12mm, Loctite, Socket Head, Black Zinc	2

# SawStop Label for T-Glide Advance Professional Rip Fence

Part Number: ATGP-010

1

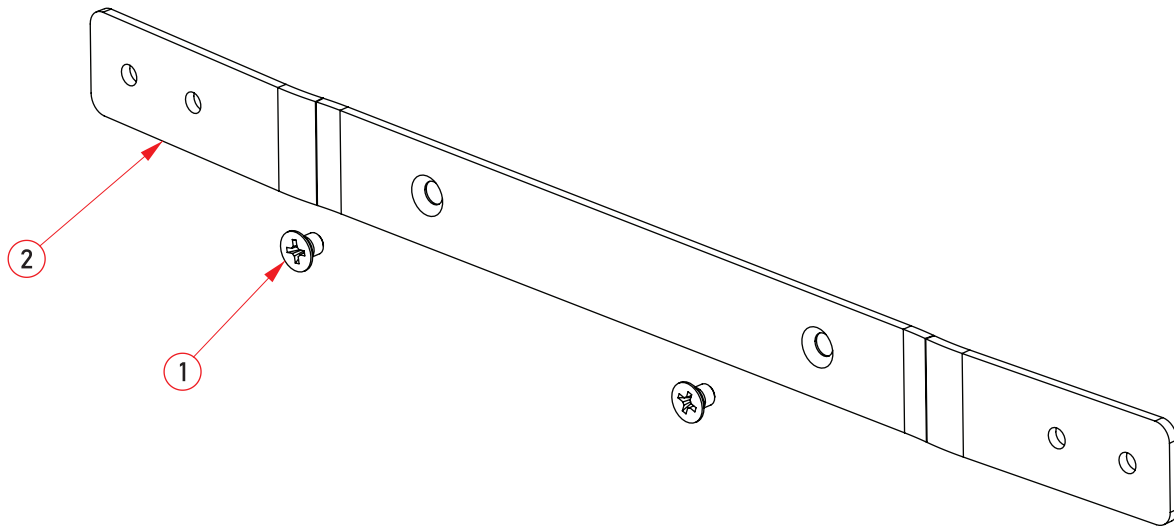


BILL OF MATERIALS		
ITEM NO.	DESCRIPTION	QTY
1	Label, Accessory Track	1



# Flex Arm Assembly for T-Glide Advance Rip Fence

Part Number: ATGP-012

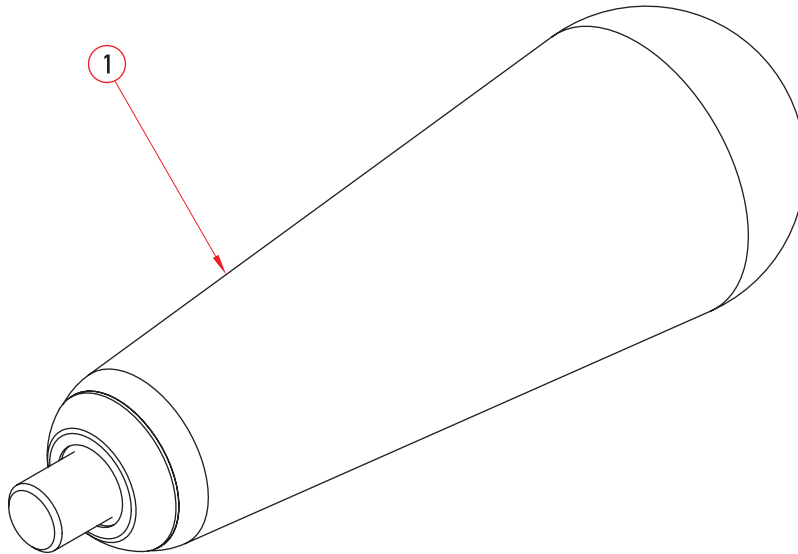


## BILL OF MATERIALS

ITEM NO.	DESCRIPTION	QTY
1	Bolt, M6x1.0, 8mm, Flat Head, Phillips, Black Zinc	2
2	Arm, Flex	1

# Handle Assembly for Rip Fence

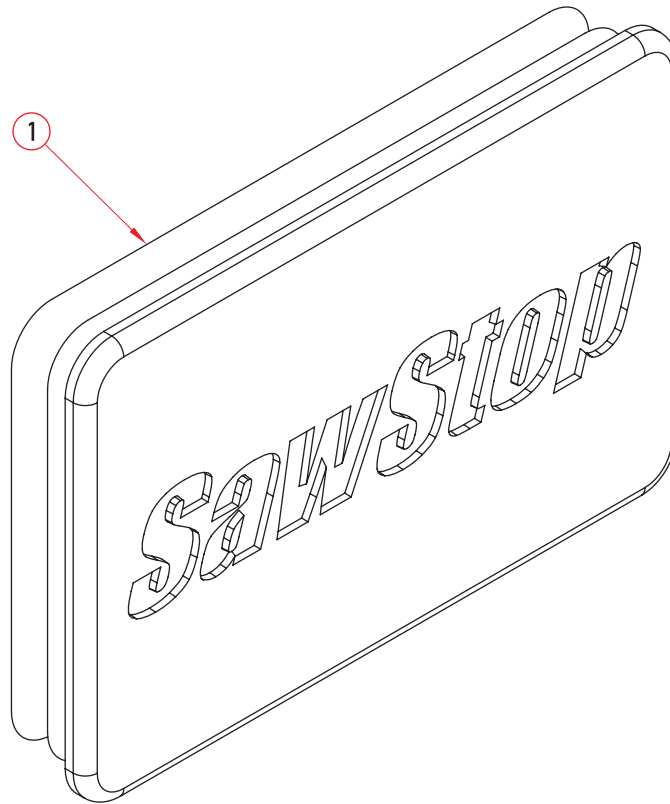
Part Number: ATGP-001



BILL OF MATERIALS		
ITEM NO.	DESCRIPTION	QTY
1	Handle, Fence	1

# End Cap Assembly for T-Glide Rip Fence

Part Number: ATGP-009

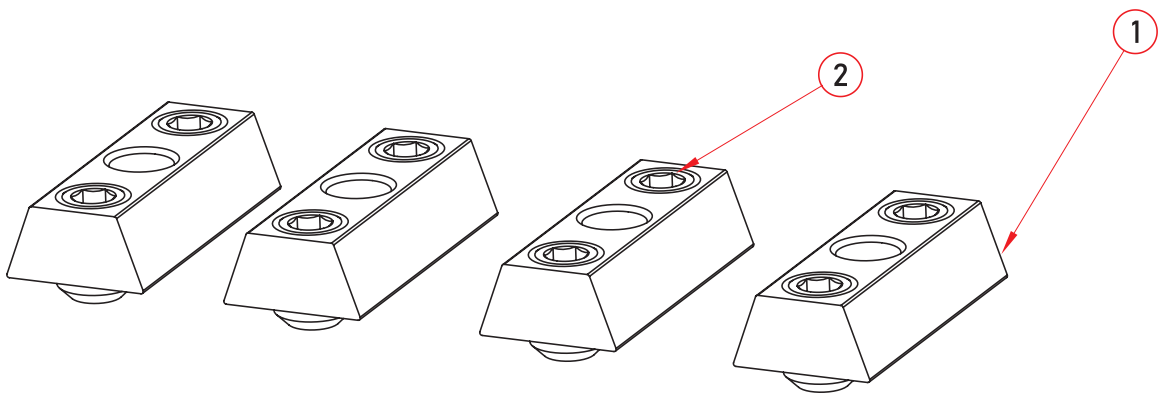


BILL OF MATERIALS		
ITEM NO.	DESCRIPTION	QTY
1	End Cap, Fence, TGP2	1



# Wedge Clamp

Part Number: ATGP-011

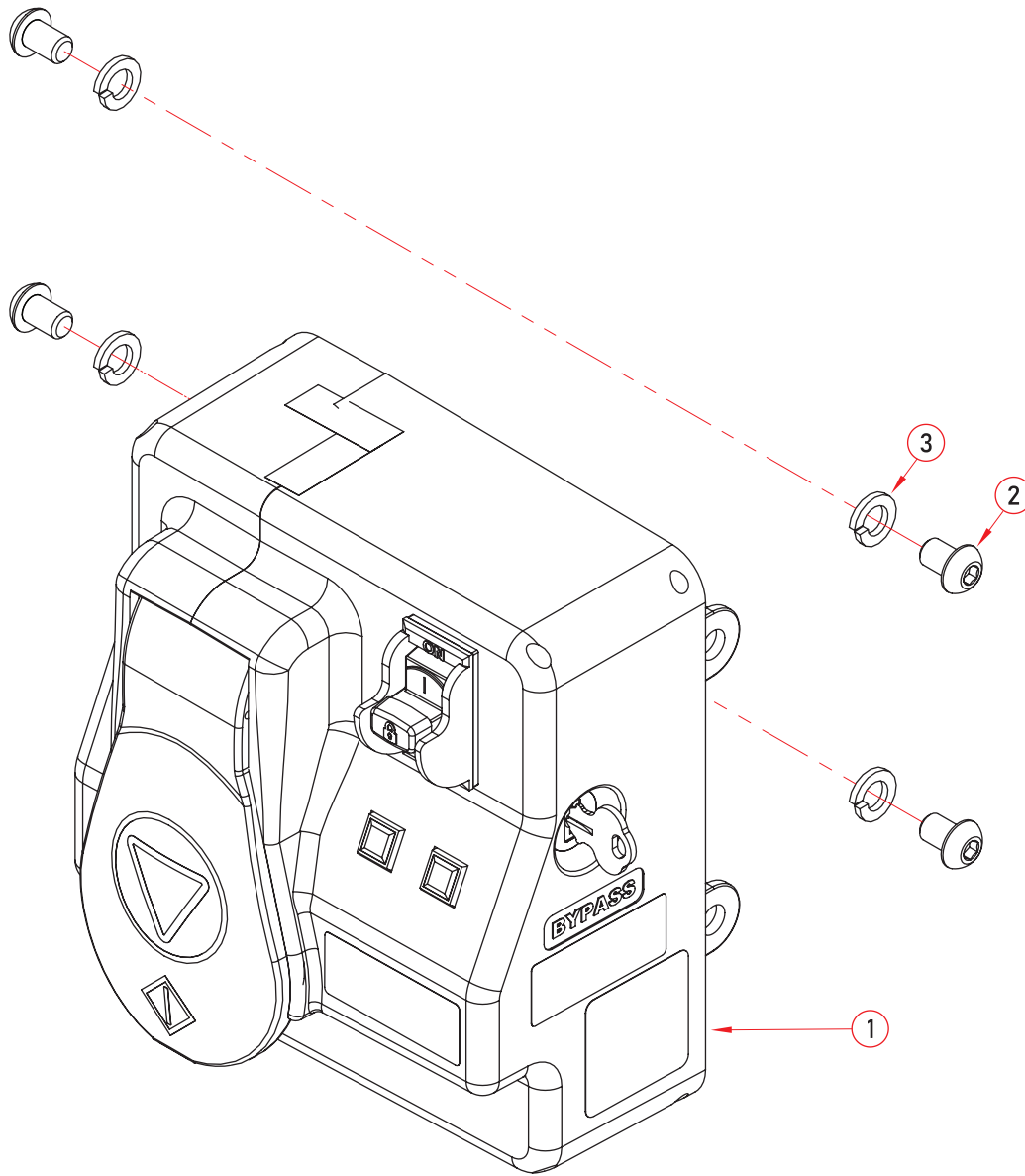


## BILL OF MATERIALS

ITEM NO.	DESCRIPTION	QTY
1	Wedge Clamp, Miter Fence, Revolution	4
2	Set Screw, M6x1.0x8mm, Socket Head	8

# Switchbox Assembly for PCS (Europe & UK)

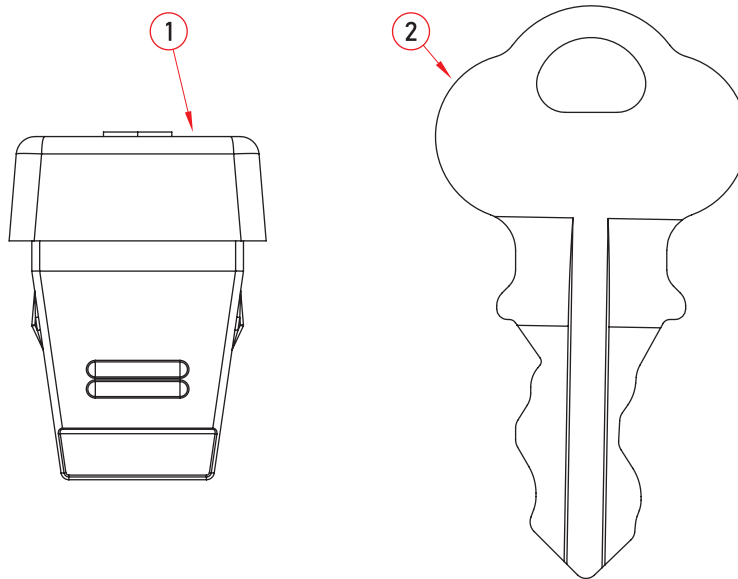
Part Number: PCS-KIT-029



BILL OF MATERIALS		
ITEM NO.	DESCRIPTION	QTY
1	Switchbox Assembly	1
2	Bolt, M8x1.25, 12mm, Button Head, Socket	4
3	Washer, M8, Lock	4

# Switchbox Key Kit for PCS

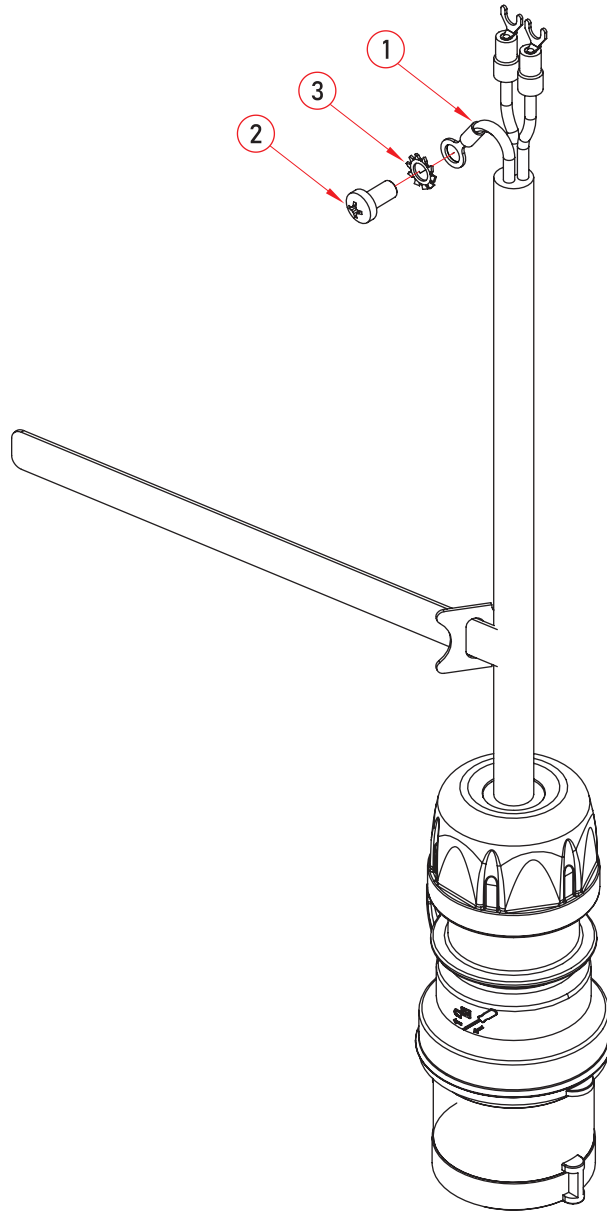
Part Number: PCS-KIT-033



BILL OF MATERIALS		
ITEM NO.	DESCRIPTION	QTY
1	Switch, Plug, Lock, On-Off, Power	1
2	Key, Switch Box, Bypass	1

# Main Power Cable for PCS (Europe and UK)

Part Number: PCS-KIT-034

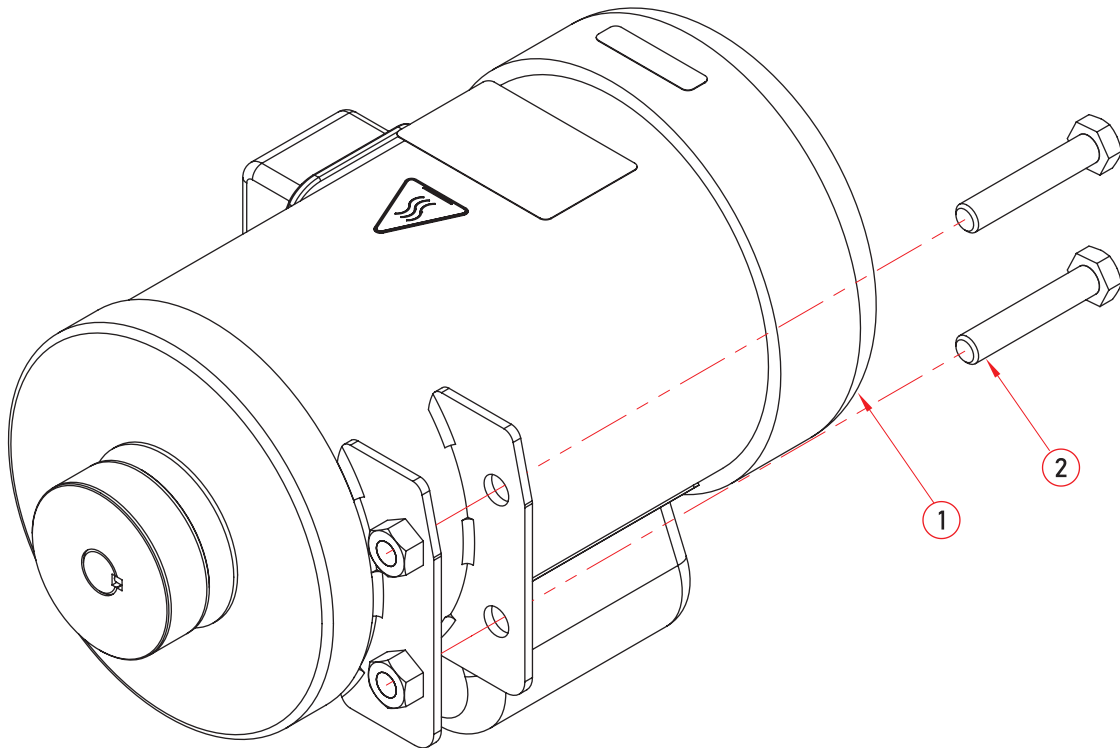


## BILL OF MATERIALS

ITEM NO.	DESCRIPTION	QTY
1	Cable, Power, Assembly	1
2	Screw, M5x0.8, 10mm, Pan Head, Phillips, Thread Cutting, Silver Zinc	1
3	Washer, M5, External Tooth, Lock, Silver Zinc	1

# Motor Assembly for PCS (Europe and UK)

Part Number: PCS-KIT-035

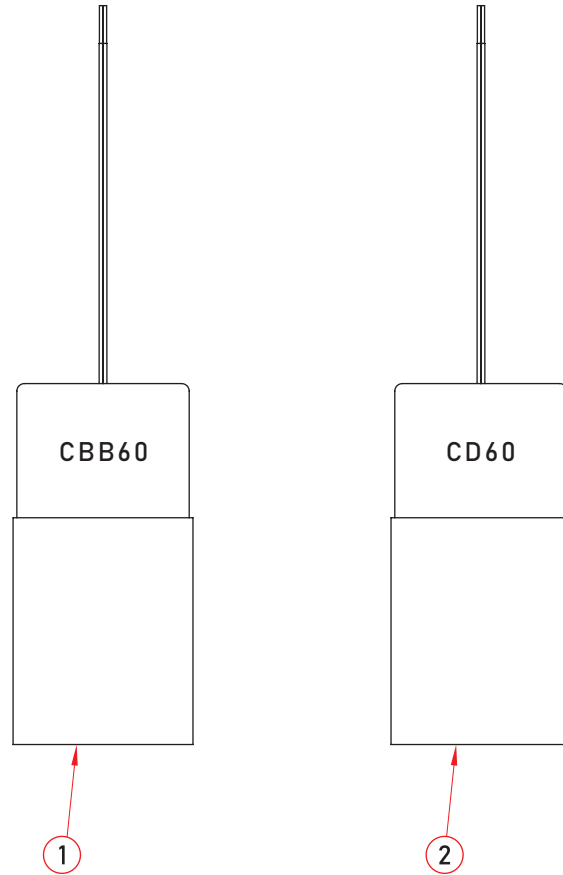


## BILL OF MATERIALS

ITEM NO.	DESCRIPTION	QTY
1	50hz Motor Assembly	1
2	Bolt, M12x1.75, 65mm, Hex Head	2

# Motor Capacitor Kit for PCS

Part Number: PCS-KIT-036

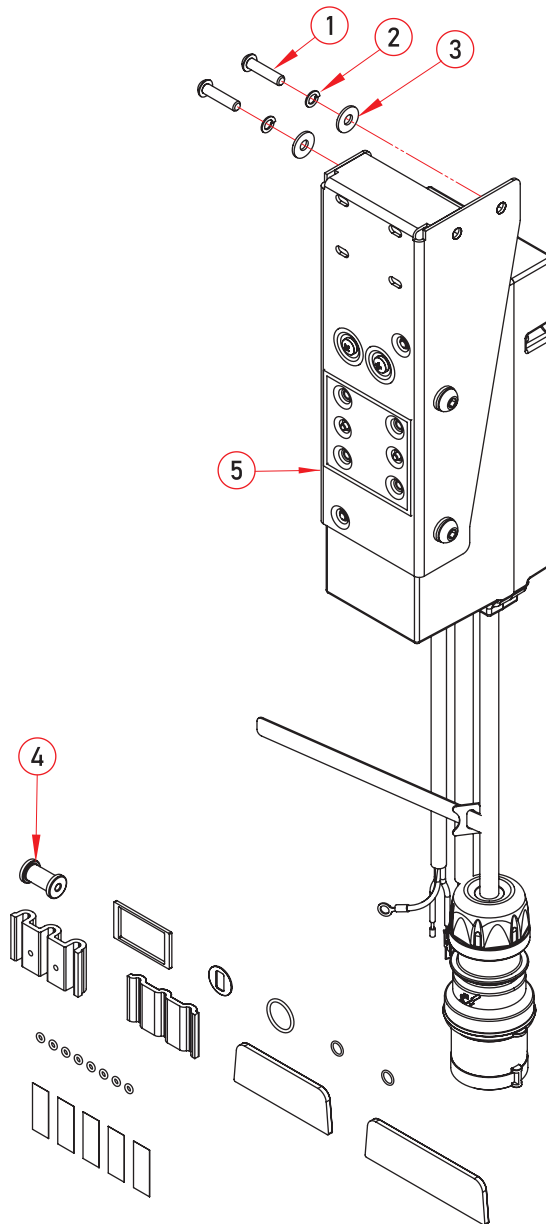


BILL OF MATERIALS		
ITEM NO.	DESCRIPTION	QTY
1	Capacitor, 45UF, 350V	1
2	Capacitor, 600UF, 300V	1



# Contactor Box Assembly for PCS (Europe and UK)

Part Number: PCS-KIT-038

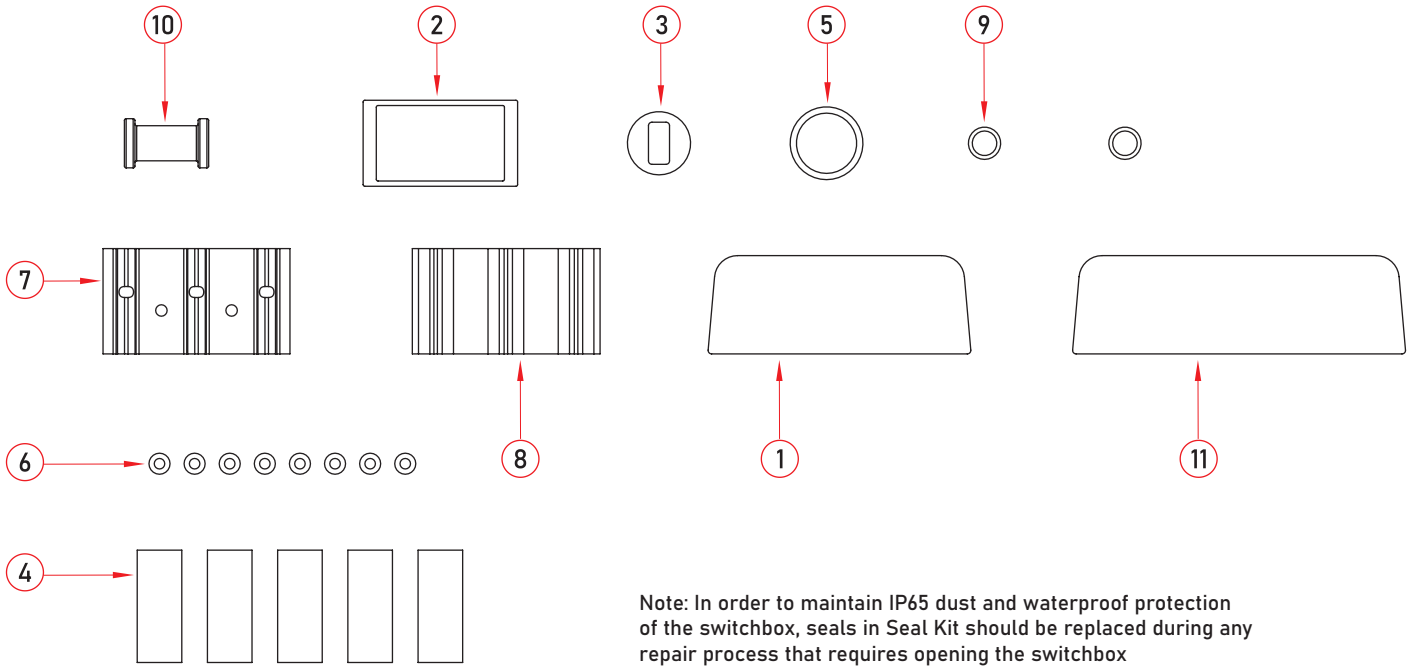


Note: In order to maintain IP65 dust and waterproof protection of the switchbox, seals in Seal Kit (4) should be replaced during any repair process that requires opening the switchbox

BILL OF MATERIALS		
ITEM NO.	DESCRIPTION	QTY
1	Bolt, M6x1.0, 25mm, Button Head, Socket	2
2	Washer, M6, Lock	2
3	Washer, M6, Flat, 16mmODx1.5mmTHK, Black Oxide	2
4	Seal Kit, PCS-KIT-046	1
5	Contactor Box Assembly	1

# Switchbox Sealing Kit for PCS (Europe and UK)

Part Number: PCS-KIT-046

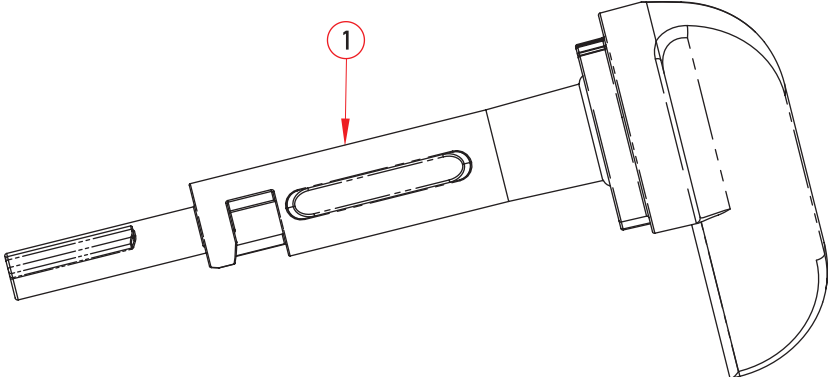


Note: In order to maintain IP65 dust and waterproof protection of the switchbox, seals in Seal Kit should be replaced during any repair process that requires opening the switchbox

BILL OF MATERIALS		
ITEM NO.	DESCRIPTION	QTY
1	Gasket, Left Shell, Switchbox	1
2	Gasket, Switch, Switchbox	1
3	Label, Cover, Bypass Key, Switchbox	1
4	Tape, Switchbox	5
5	O-Ring, Nitrile, 17.2mm ID, 1.8mm THK	1
6	O-Ring, Nitrile, 3mm ID, 1.5mm THK	8
7	Gasket, Adhesive Backed, Shell, Contactor Box	1
8	Gasket, Adhesive Backed, Cover, Contactor Box	1
9	O-Ring, Nitrile, 7mm ID, 1.1mm THK	2
10	Plug, Cable, Switchbox	1
11	Gasket, Right Shell, Switchbox	1

# Brake Cartridge Key

Part Number: PCS-KIT-002

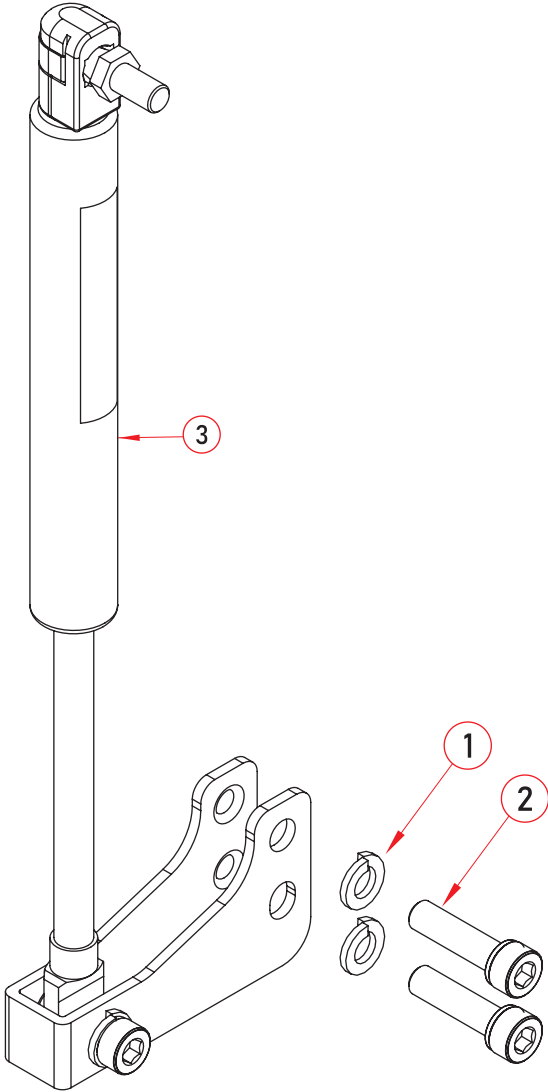


BILL OF MATERIALS		
ITEM NO.	DESCRIPTION	QTY
1	Cartridge Key, Assembly	1



# Gas Spring Kit for PCS

Part Number: PCS-KIT-003

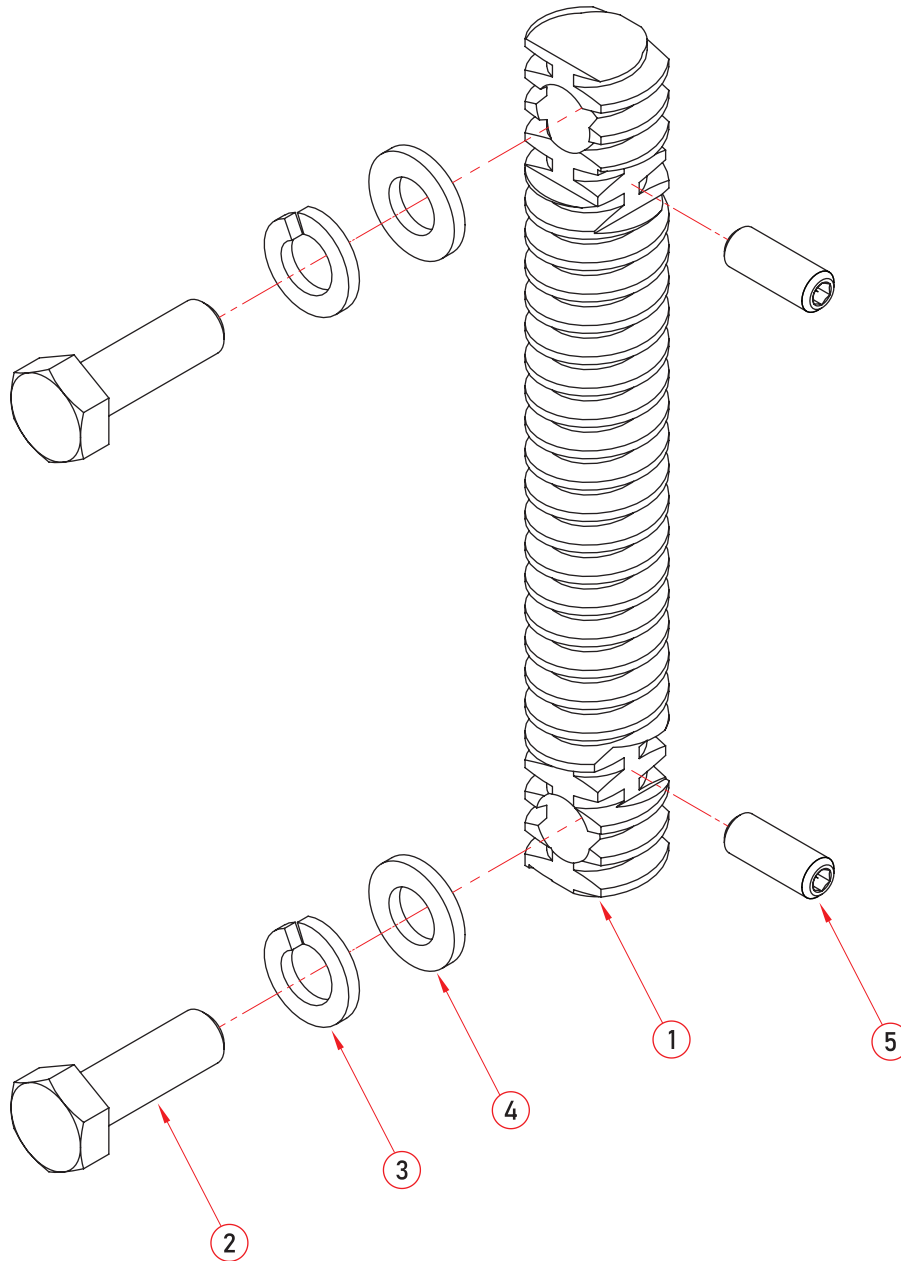


BILL OF MATERIALS		
ITEM NO.	DESCRIPTION	QTY
1	Washer, M8, Lock	2
2	Bolt, M8x1.25, 30mm, Socket Head Cap	2
3	Gas Spring Assembly	1



# Elevated Threaded Rod Kit for PCS

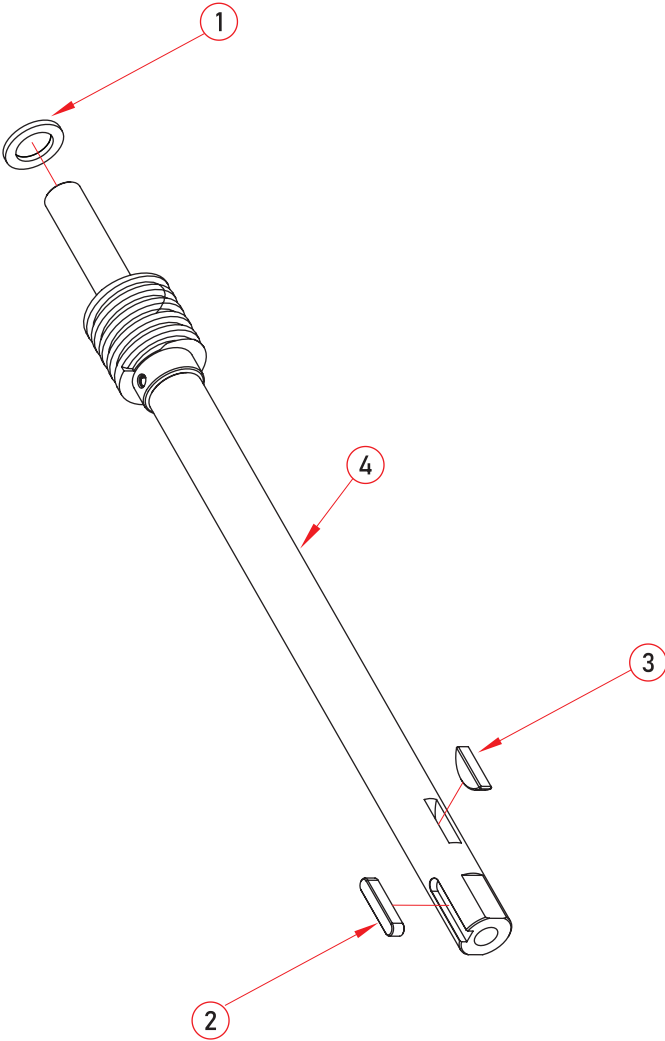
Part Number: PCS-KIT-004



BILL OF MATERIALS		
ITEM NO.	DESCRIPTION	QTY
1	Rod, Elevation, Threaded, Acme, PCS	1
2	M8x1.25x25mm Hex Head Bolt	2
3	Washer, M8, Lock	2
4	Washer, M8, Flat, 16mm ODx2mm THK	2
5	Set Screw, M6x1.0, 16mm, Loctite, Socket Head	2

# Tilt Shaft Kit for PCS

Part Number: PCS-KIT-006

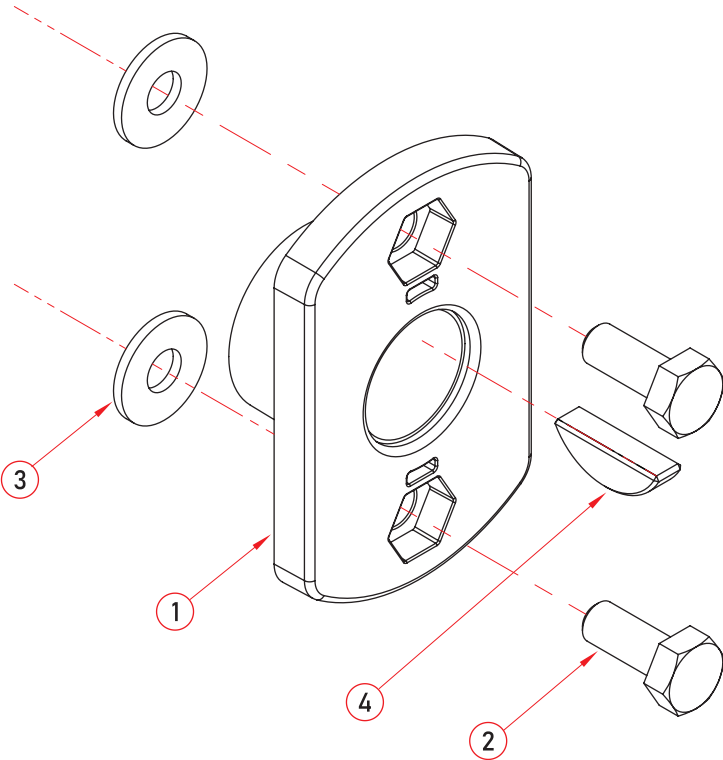


BILL OF MATERIALS		
ITEM NO.	DESCRIPTION	QTY
1	Washer, M12, Flat, 21mm ODx2mm THK	1
2	Key, 5x5x25	1
3	Key, Woodruff, 5x22x6.5	1
4	Tilt Shaft Assembly	1



# Tilt Lock Kit for PCS

Part Number: PCS-KIT-007

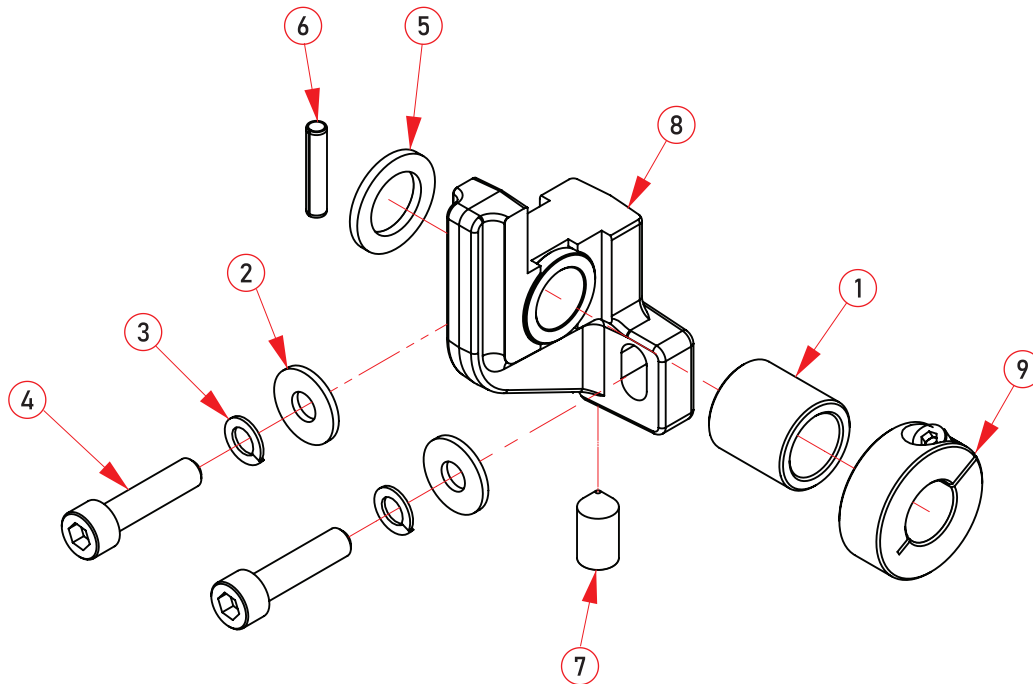


BILL OF MATERIALS		
ITEM NO.	DESCRIPTION	QTY
1	Bracket, Mounting, Tilt Control Shaft, PCS	1
2	Bolt, M6x1.0, 15mm, Hex Head	2
3	Washer, M6, Flat, 16mm ODx1.5mm THK, Black Oxide	2
4	Key, Woodruff, 5x22x6.5	1



# Tilt Bracket Kit for PCS

Part Number: PCS-KIT-008

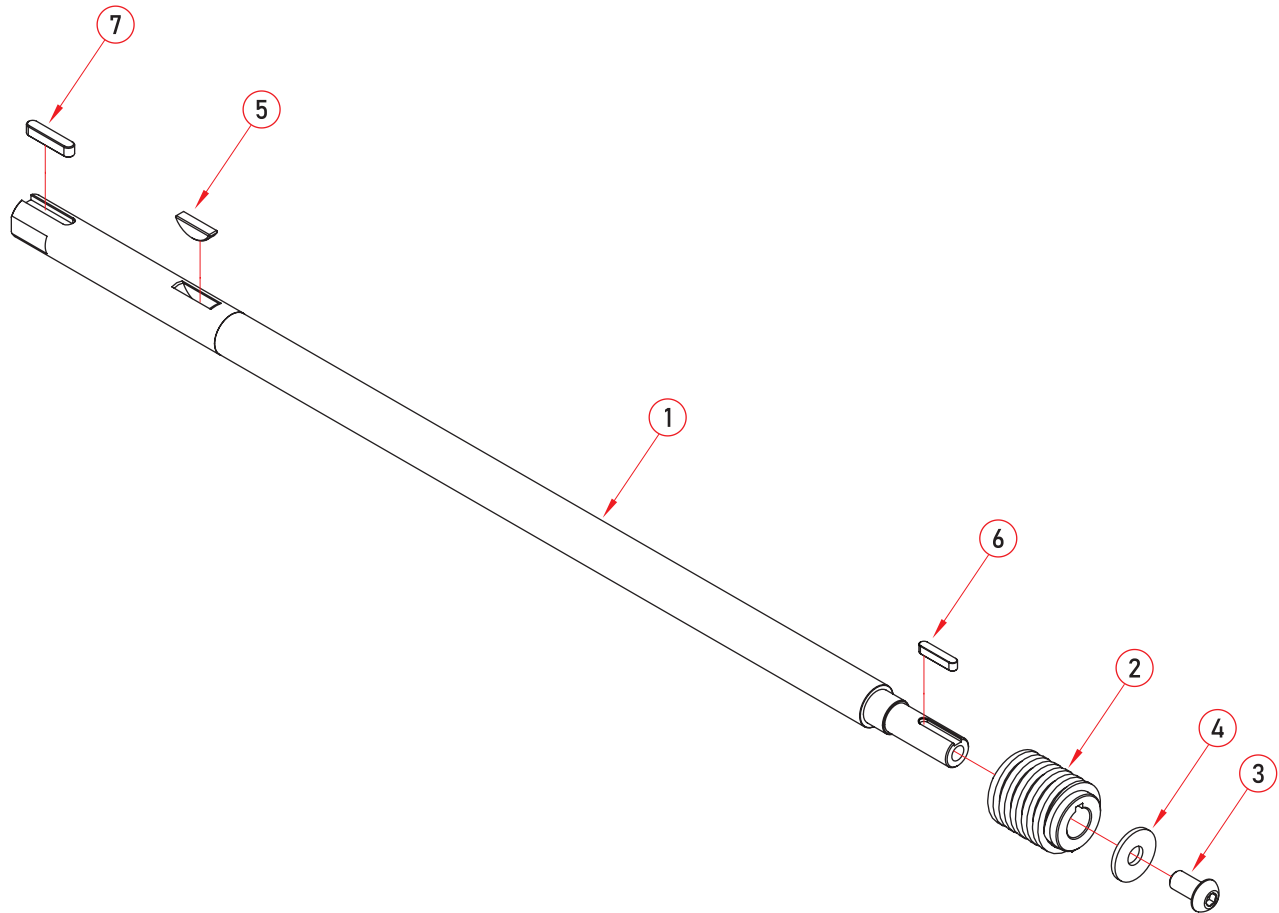


## BILL OF MATERIALS

ITEM NO.	DESCRIPTION	QTY
1	Spacer, Tilt Control Shaft, PCS	1
2	Washer, M6, Flat, 16mm ODx1.5mm THK, Black Oxide	2
3	Washer, M6, Lock	2
4	Bolt, M6x1.0, 25mm, Socket Head Cap	2
5	Washer, M12, Flat, 21mm ODx2mm THK	1
6	Pin, Spring, 4x20	1
7	Set Screw, M8x1.25, 16mm, Loctite, Socket Head, Cone Nose	1
8	Tilt Adjustment Bracket Assembly	1
9	Tilt Adjustment Collar	1

# Elevation Shaft Kit for PCS

Part Number: PCS-KIT-009

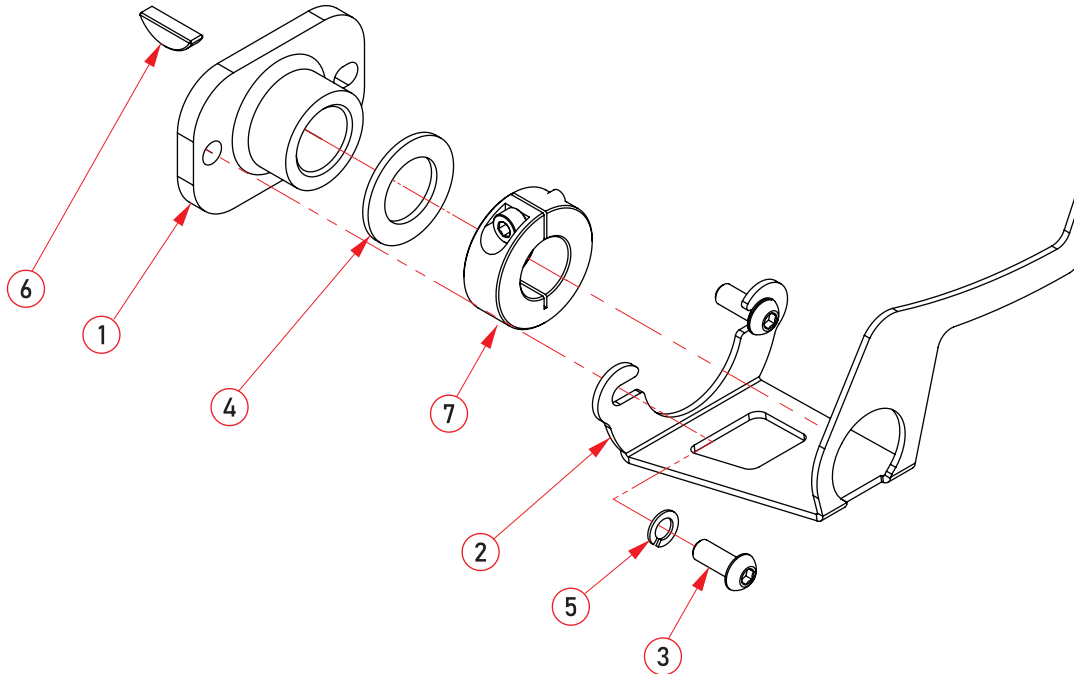


## BILL OF MATERIALS

ITEM NO.	DESCRIPTION	QTY
1	Shaft, Elevation Control, PCS	1
2	Gear, Worm Elevation Control Shaft, PCS	1
3	Bolt, M8x1.25, 16mm, Button Head, Socket	1
4	Washer, M8, Flat, 23mm ODx2mm THK, Hardened	1
5	Key, Woodruff, 5x22x6.5	1
6	Key, 4x4x20	1
7	Key, 5x5x25	1

# Elevation Control Kit for PCS

Part Number: PCS-KIT-010

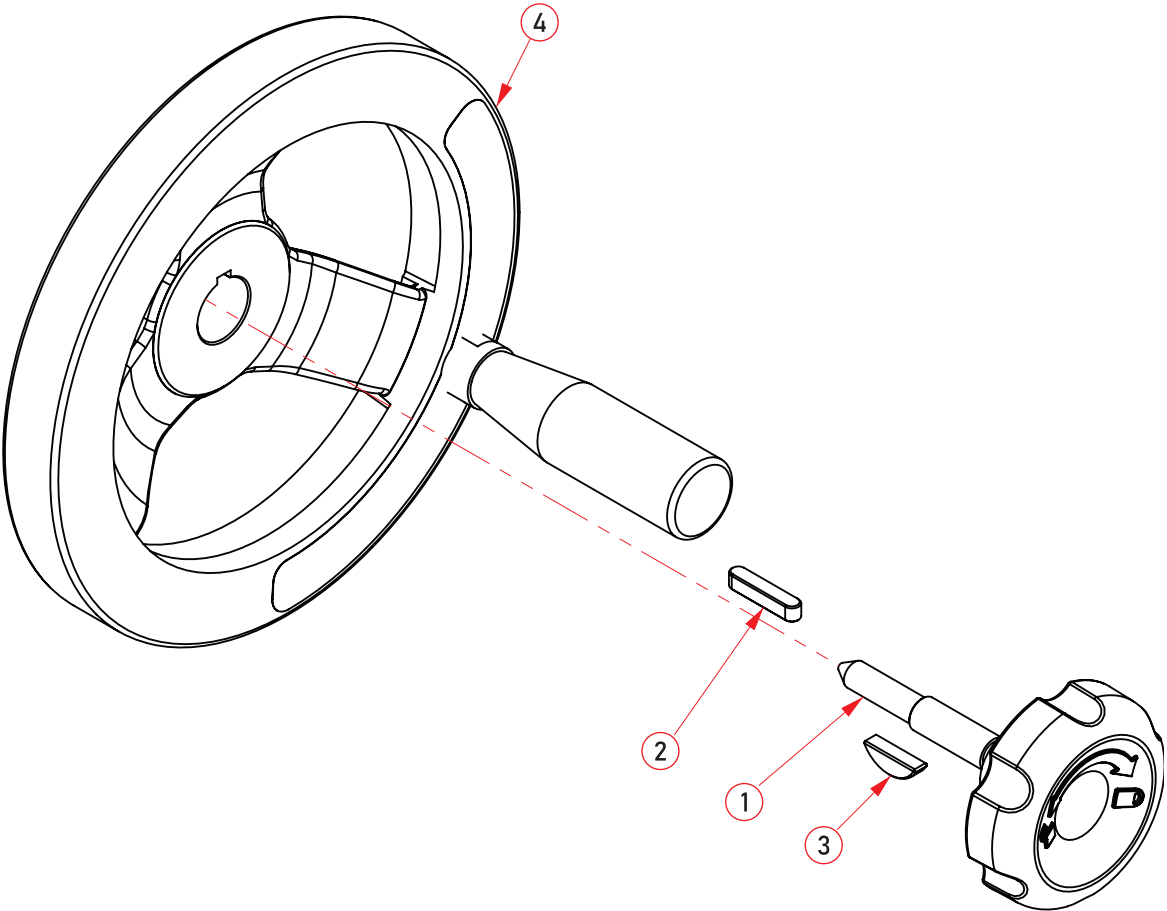


## BILL OF MATERIALS

ITEM NO.	DESCRIPTION	QTY
1	Bushing, Elevation Control Shaft, Front, PCS	1
2	Indicator, Tilt, PCS	1
3	Bolt, M6x1.0, 15mm, Button Head, Socket	2
4	Washer, M20, Flat, Hardened, 32mm ODx2mm THK	1
5	Washer, M6, Lock	2
6	Key, Woodruff, 5x22x6.5	1
7	Elevation Adjustment Collar	1

# Tilt Wheel Kit for PCS

Part Number: PCS-KIT-011

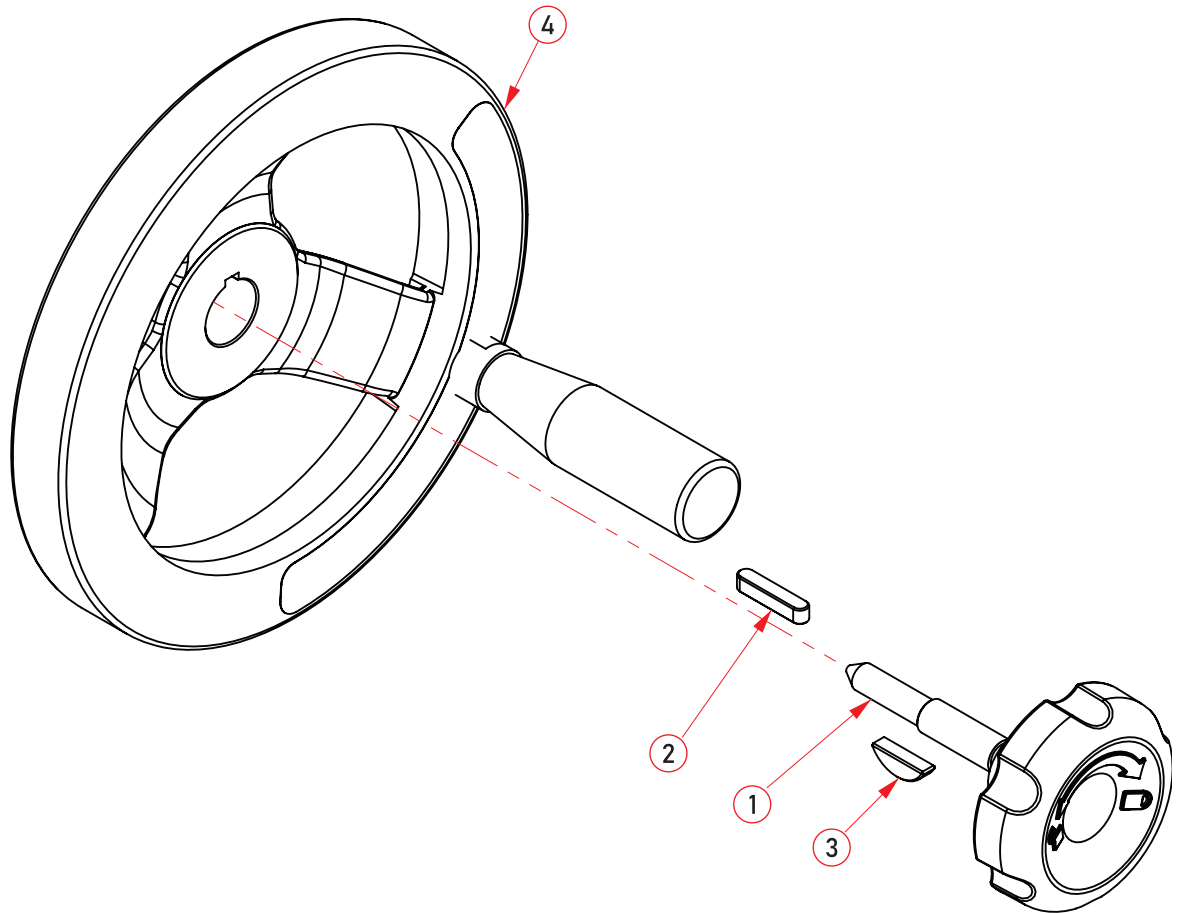


BILL OF MATERIALS		
ITEM NO.	DESCRIPTION	QTY
1	Knob, Tilt Control Shaft, Lock, PCS	1
2	Key, 5x5x25	1
3	Key, Woodruff, 5x22x6.5	1
4	Tilt Wheel Assembly	1



# Elevation Wheel Kit for PCS

Part Number: PCS-KIT-012

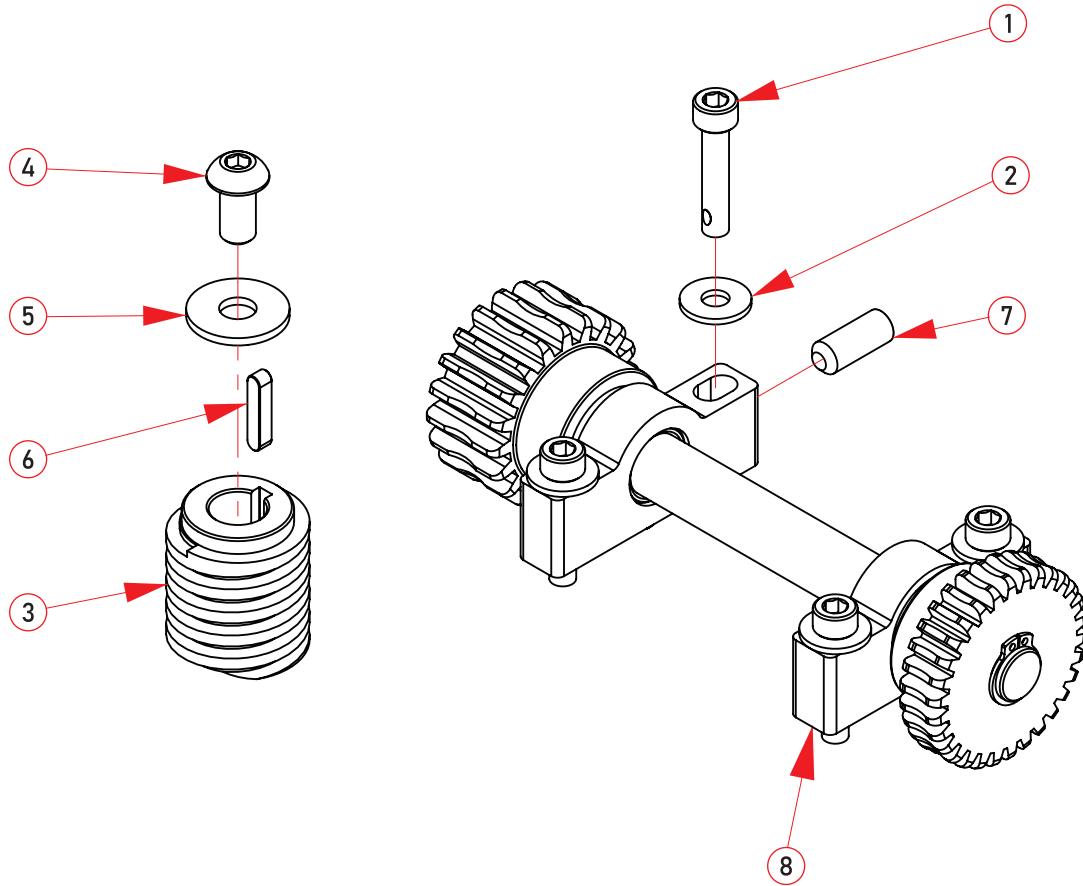


## BILL OF MATERIALS

ITEM NO.	DESCRIPTION	QTY
1	Knob, Elevation Shaft, Lock, PCS	1
2	Key, 5x5x25	1
3	Key, Woodruff, 5x22x6.5	1
4	Elevation Wheel Assembly	1

# Elevation Gear Kit for PCS

Part Number: PCS-KIT-013

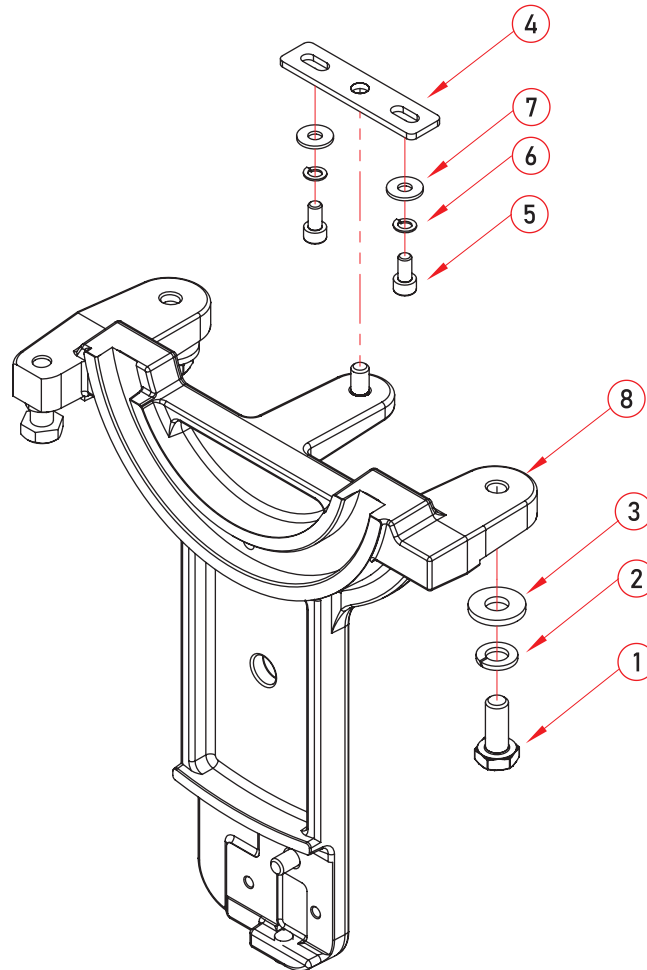


## BILL OF MATERIALS

ITEM NO.	DESCRIPTION	QTY
1	Bolt, M6x1.0, 30mm, Loctite, Socket Head Cap	4
2	Washer, M6, Flat, 16mm ODx1.5mm THK, Black Oxide	4
3	Gear, Worm Elevation Control Shaft, PCS	1
4	Bolt, M8x1.25, 16mm, Button Head, Socket	1
5	Washer, M8, Flat, 23mm ODx2mm THK, Hardened	1
6	Key, 4x4x20	1
7	Set Screw, M8x1.0, 20mm, Loctite, Socket Head	1
8	Elevation Gear Pinion Assembly	1

# Front Trunnion Bracket for PCS

Part Number: PCS-KIT-014

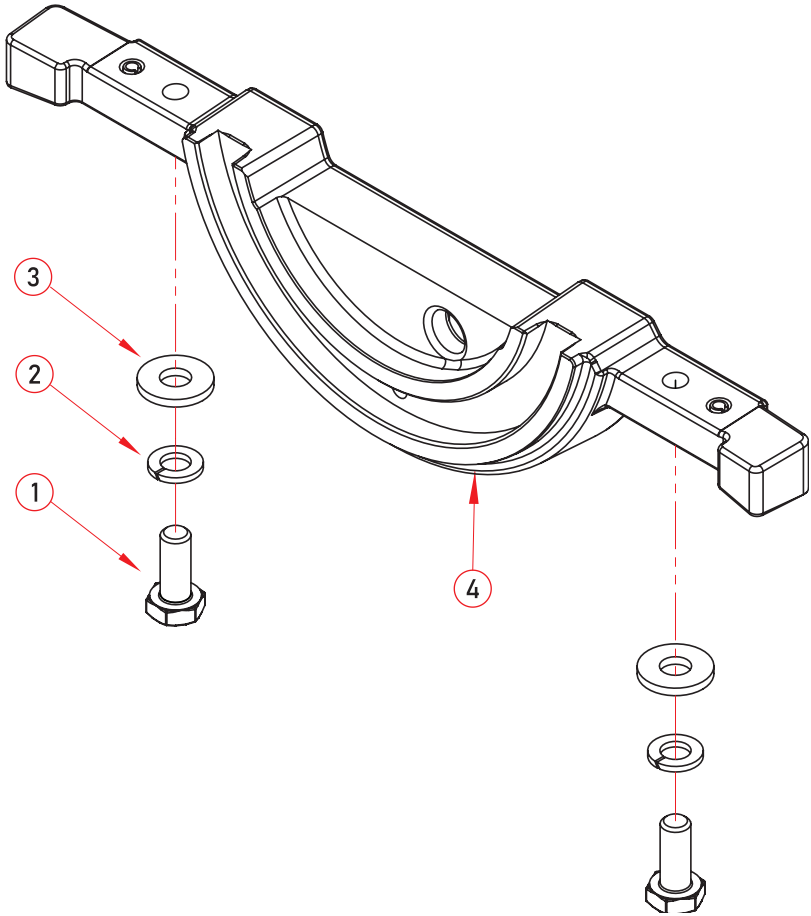


## BILL OF MATERIALS

ITEM NO.	DESCRIPTION	QTY
1	Bolt, M10x1.5, 25mm, Hex Head	2
2	Washer, M10, Lock	2
3	Washer, M10, Flat, 25mm ODx3mm THK	2
4	Bracket, Table Alignment	1
5	Bolt, M6x1.0, 12mm, Socket Head Cap	2
6	Washer, M6, Lock	2
7	Washer, M6, Flat, 16mm ODx1.5mm THK, Black Oxide	2
8	Front Trunnion Bracket Assembly	1

# Rear Trunnion Bracket for PCS

Part Number: PCS-KIT-015

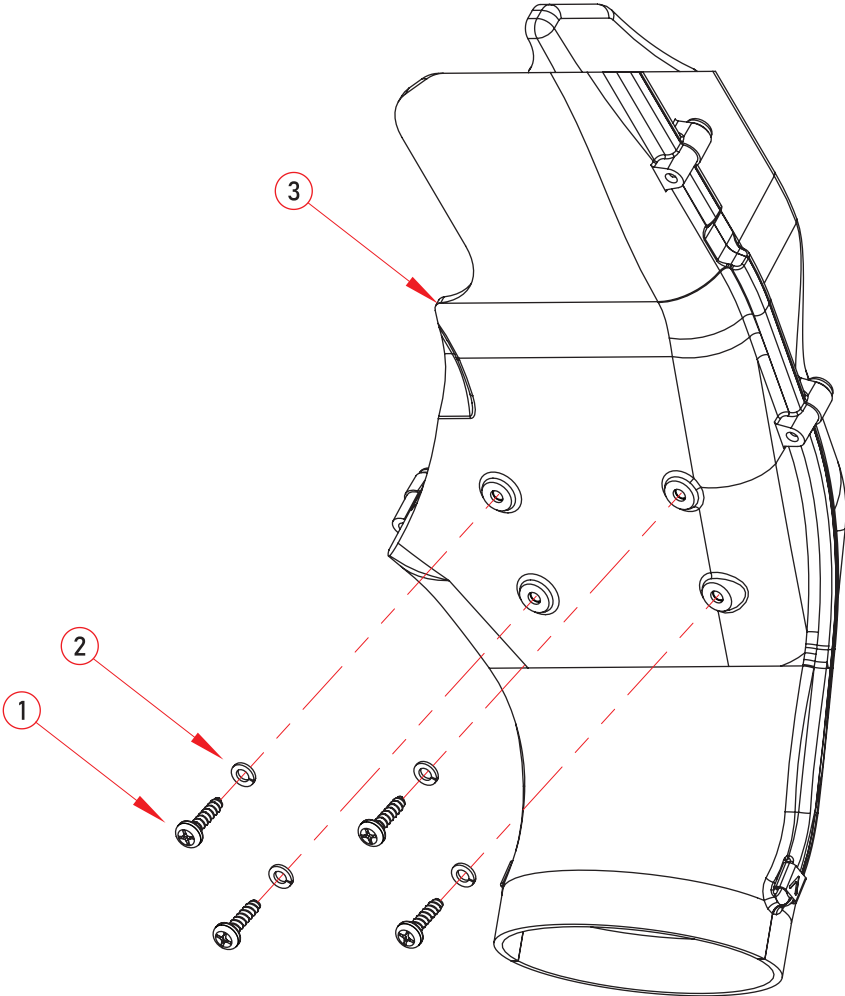


BILL OF MATERIALS		
ITEM NO.	DESCRIPTION	QTY
1	Bolt, M10x1.5, 25mm, Hex Head	2
2	Washer, M10, Lock	2
3	Washer, M10, Flat, 25mm ODx3mm THK	2
4	Rear Trunnion Bracket Assembly	1



# Dust Shroud Kit for PCS

Part Number: PCS-KIT-016

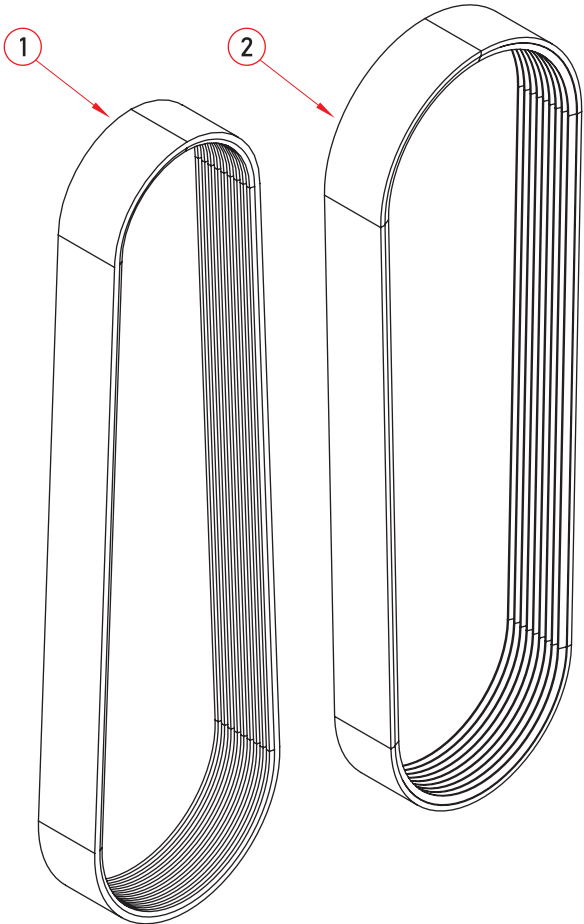


BILL OF MATERIALS		
ITEM NO.	DESCRIPTION	QTY
1	Screw, M5x2.2, 20mm, Button Head, Phillips, Silver Zinc	4
2	Washer, M5, Lock	4
3	Dust Shroud Assembly	1



# Belt Kit for PCS

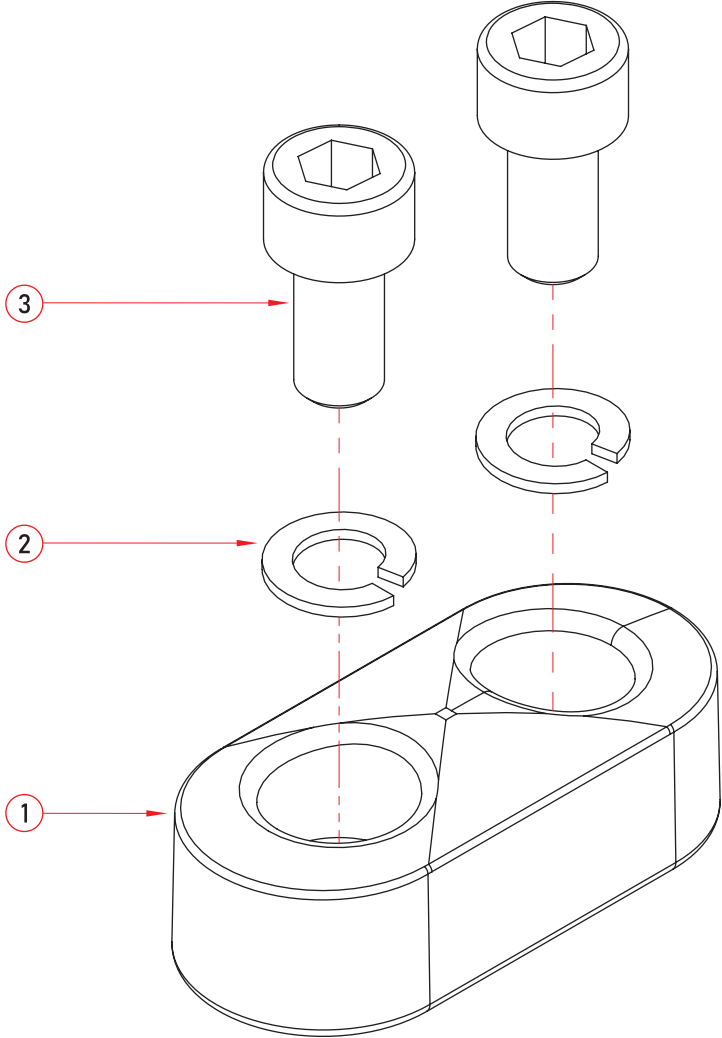
Part Number: PCS-KIT-017



BILL OF MATERIALS		
ITEM NO.	DESCRIPTION	QTY
1	Belt, Arbor	1
2	Belt, Motor 50hz, PCS	1

# Rubber Bumper Kit for PCS

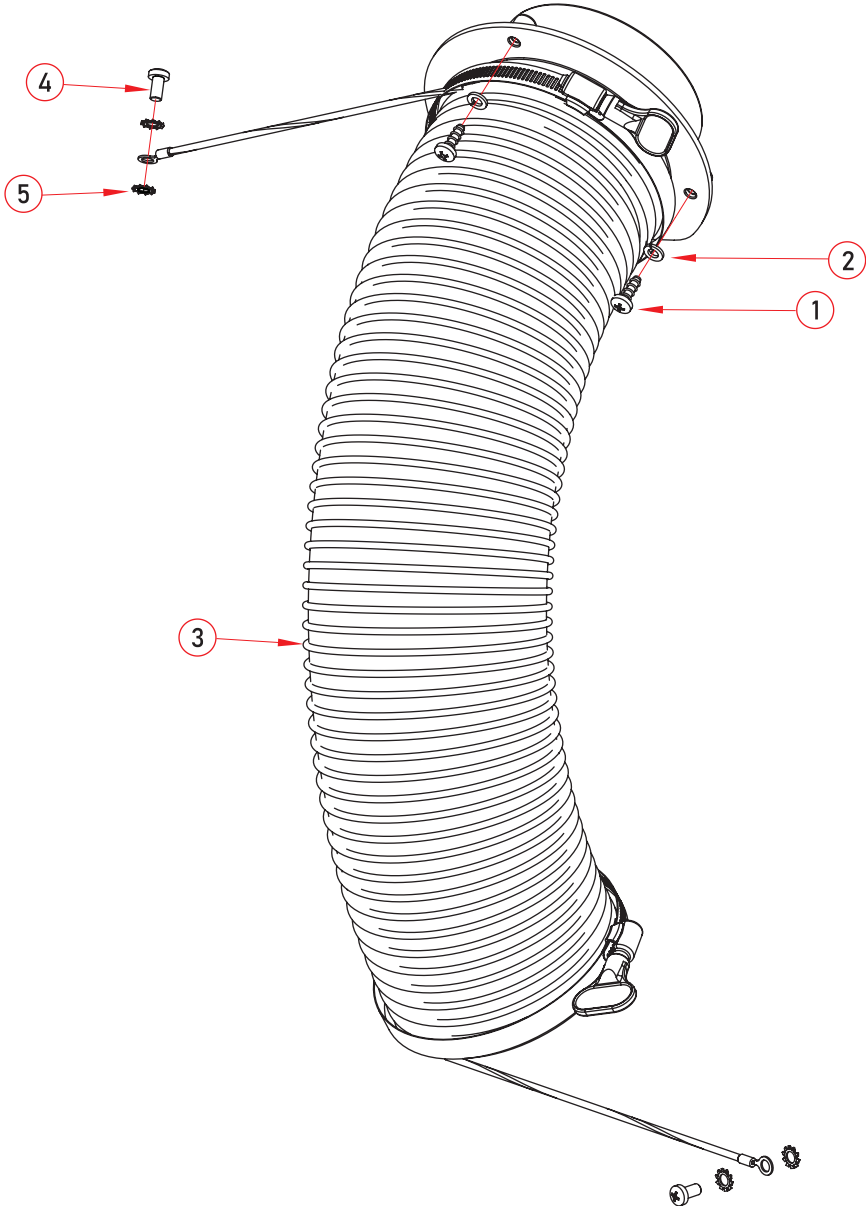
Part Number: PCS-KIT-018



BILL OF MATERIALS		
ITEM NO.	DESCRIPTION	QTY
1	Bumper, Arbor, PCS	1
2	Washer, M6, Lock	2
3	Bolt, M6x1.0, 12mm, Socket Head Cap	2

# Dust Port Kit for PCS

Part Number: PCS-KIT-019

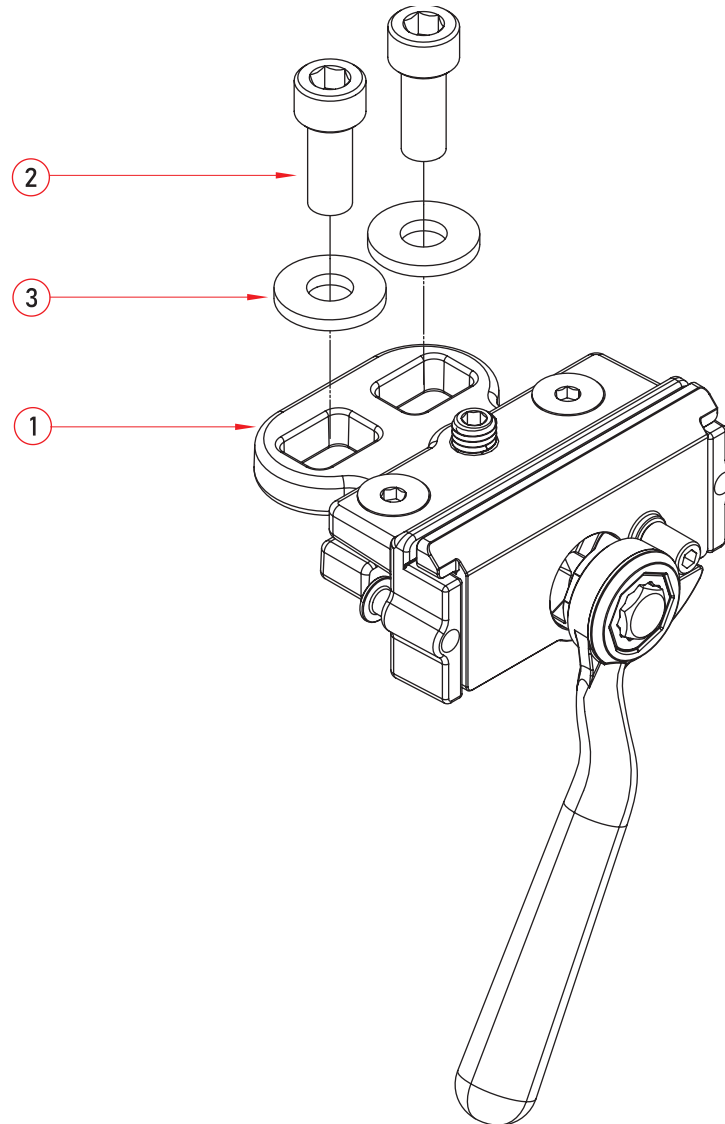


BILL OF MATERIALS		
ITEM NO.	DESCRIPTION	QTY
1	Screw, M5x3, 15mm, Button Head, Phillips, Plastite	3
2	Washer, M5, Lock	3
3	Dust Hose Assembly	1
4	Screw, M5x0.8	2
5	M5 Lock Washer	4



# Riving Knife Clamp Assembly for PCS (Europe and UK)

Part Number: PCS-KIT-032

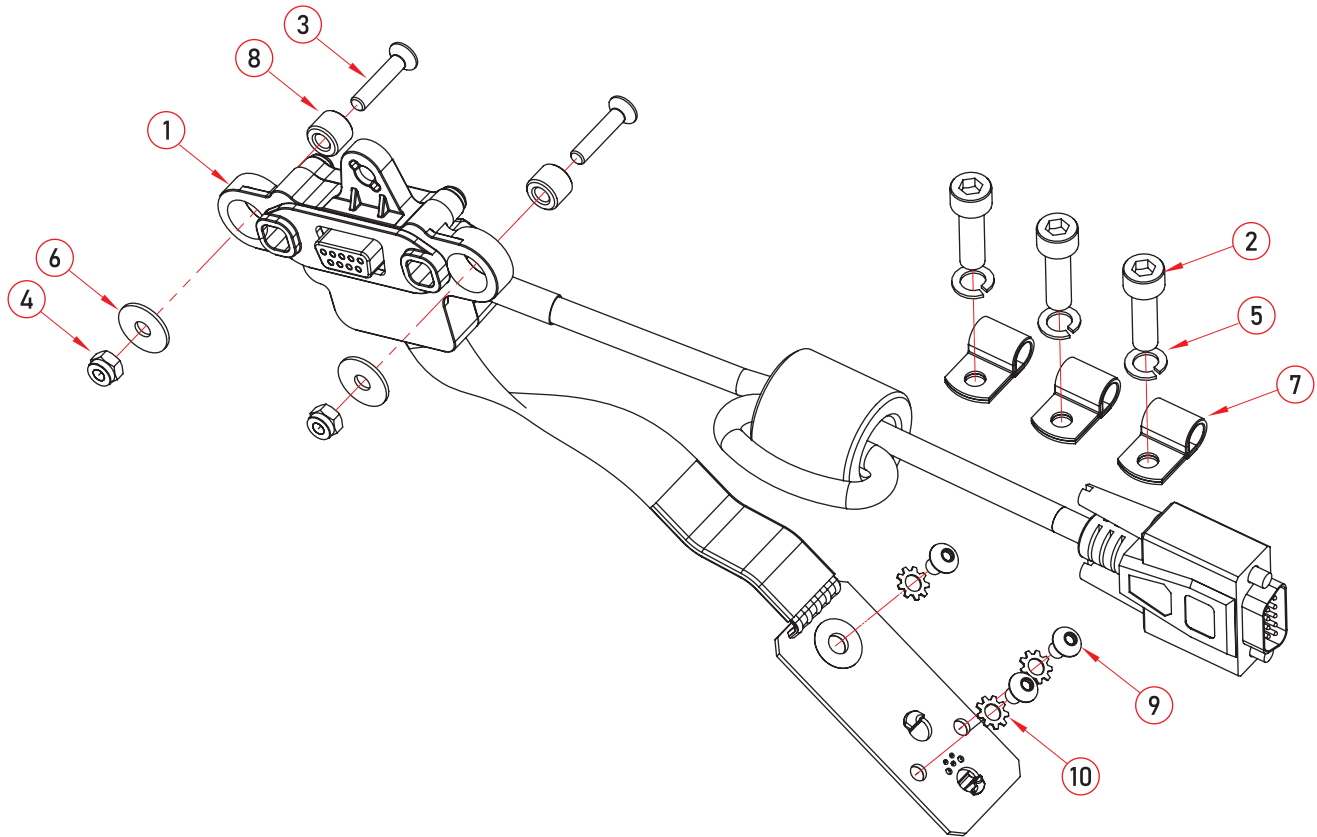


## BILL OF MATERIALS

ITEM NO.	DESCRIPTION	QTY
1	Riving Knife Clamp Assembly	1
2	Bolt, M10x1.5, 25mm, Loctite, Socket Head Cap	2
3	Washer, M10, Flat, 25mm ODx3mm THK	2

# Cartridge Cable Kit for PCS

Part Number: PCS-KIT-037

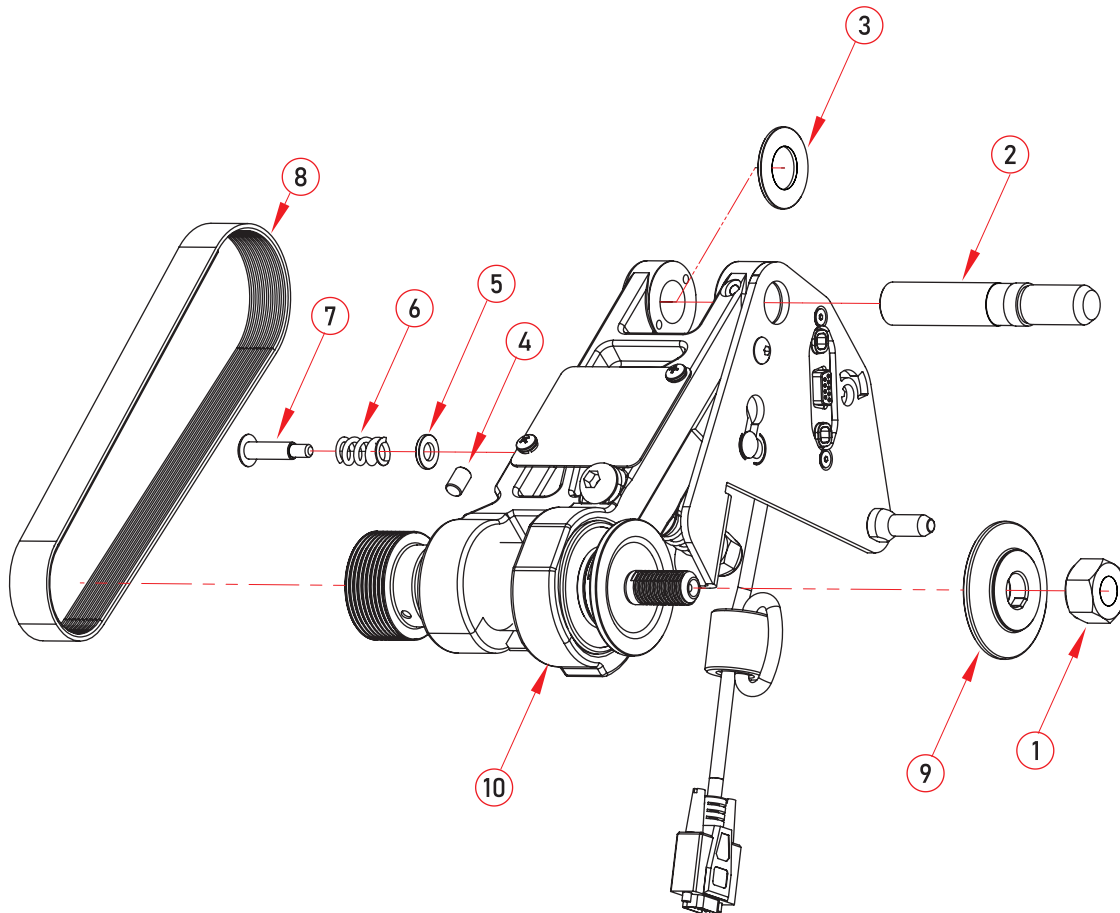


## BILL OF MATERIALS

ITEM NO.	DESCRIPTION	QTY
1	Cable, Cartridge, Assembly	1
2	Bolt, M6x1.0, 20mm, Socket Head Cap	3
3	Bolt, M4x0.7, 20mm, Flat Head, Socket	2
4	Nut, M4x0.7, Nylok	2
5	Washer, M6, Lock	3
6	Washer, M4, Flat, 14mmODx1mmthk, Silver Zinc	2
7	Clamp, Cable, .25in, Vinyl Coated Steel	3
8	Spacer, Cartridge Bracket, 4mm IDx9mm ODx7.2	2
9	Bolt, M4x0.7, 6mm, Loctite, Button Head, Socket	3
10	Washer, M4, External Tooth, Lock	3

# Arbor Block Assembly Kit for PCS

Part Number: PCS-KIT-041

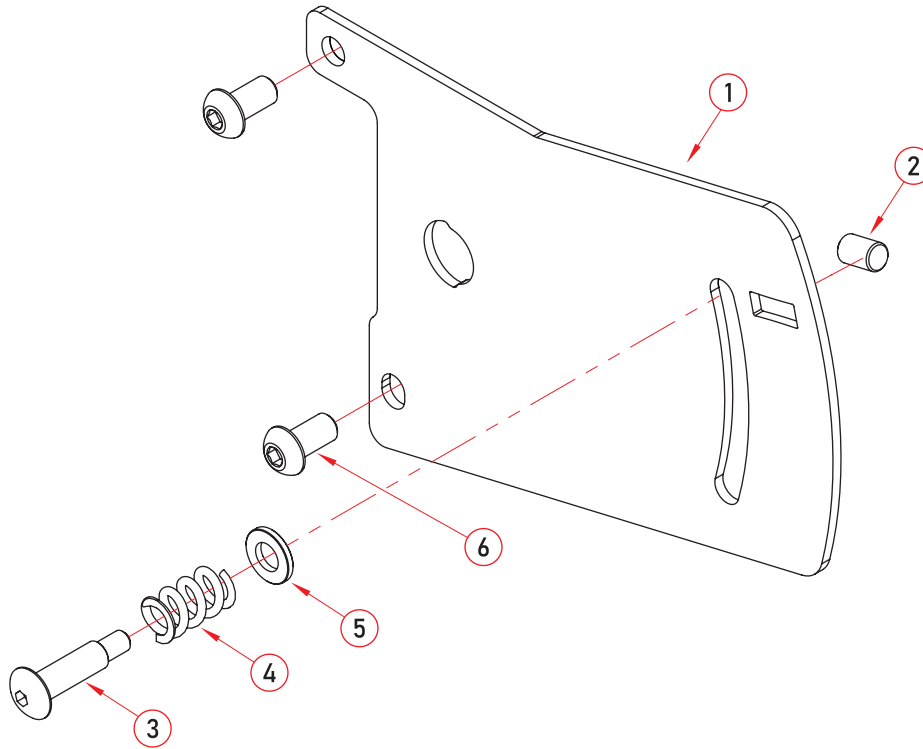


## BILL OF MATERIALS

ITEM NO.	DESCRIPTION	QTY
1	Nut, Arbor	1
2	Shaft, Arbor Pivot, PCS	1
3	Washer, M20, 38mm ODX1.8mm THK, Brass, Custom	1
4	Pin, Retraction Guide, Dowel, 8mmX12mm, PCS	1
5	Washer, M8, Flat, 16mm ODX2mm THK, Brass	1
6	Spring, Retraction, Compression, PCS	1
7	Bolt, Shoulder, 8mm ODX25mm, M6X1.0, 4mm Truss Head	1
8	Belt, Arbor, ICS	1
9	Washer, Outer, 30mm, Arbor	1
10	Arbor Block Assembly	1

# Retraction Bracket Kit for PCS

Part Number: PCS-KIT-042

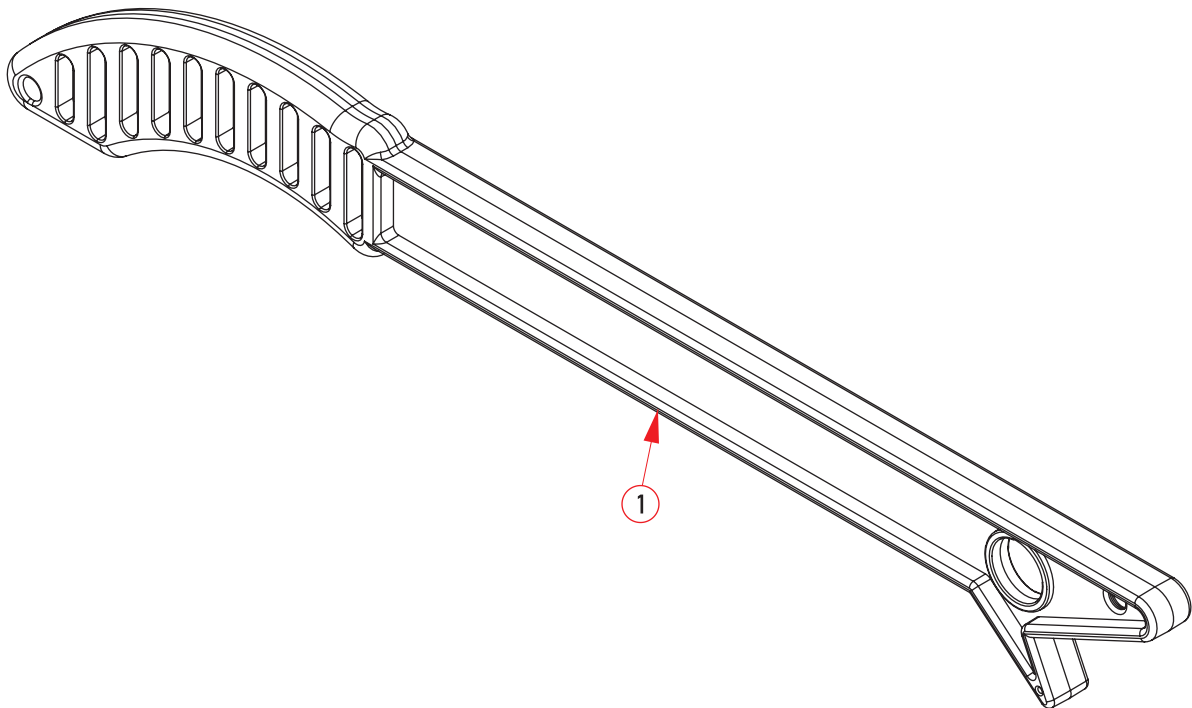


## BILL OF MATERIALS

ITEM NO.	DESCRIPTION	QTY
1	Bracket, Retraction, PCS	1
2	Bolt, M8X1.25, 16mm, Button Head, Socket	1
3	Bolt, Shoulder, 8mm ODX25mm, M6X1.0, 4mm Truss Head	1
4	Spring, Retraction, Compression, PCS	1
5	Washer, M8, FLAT, 16mm ODX2mm THK, Brass	1
6	Pin, Retraction Guide, Dowel, 8mm X 12mm, PCS	2

# Replacement Push Stick

Part Number: PCS-KIT-001



BILL OF MATERIALS		
ITEM NO.	DESCRIPTION	QTY
1	Push Stick	1

# PCS31230-EU Owner's Manual

Part Number: PCS-KIT-022 (English)

PCS-KIT-052 (German)

PCS-KIT-053 (French)

PCS-KIT-054 (Spanish)



PCS31230-EU

## PROFESSIONAL CABINET SAW OWNER'S MANUAL



85-007951-00  
Rev A - 05272025

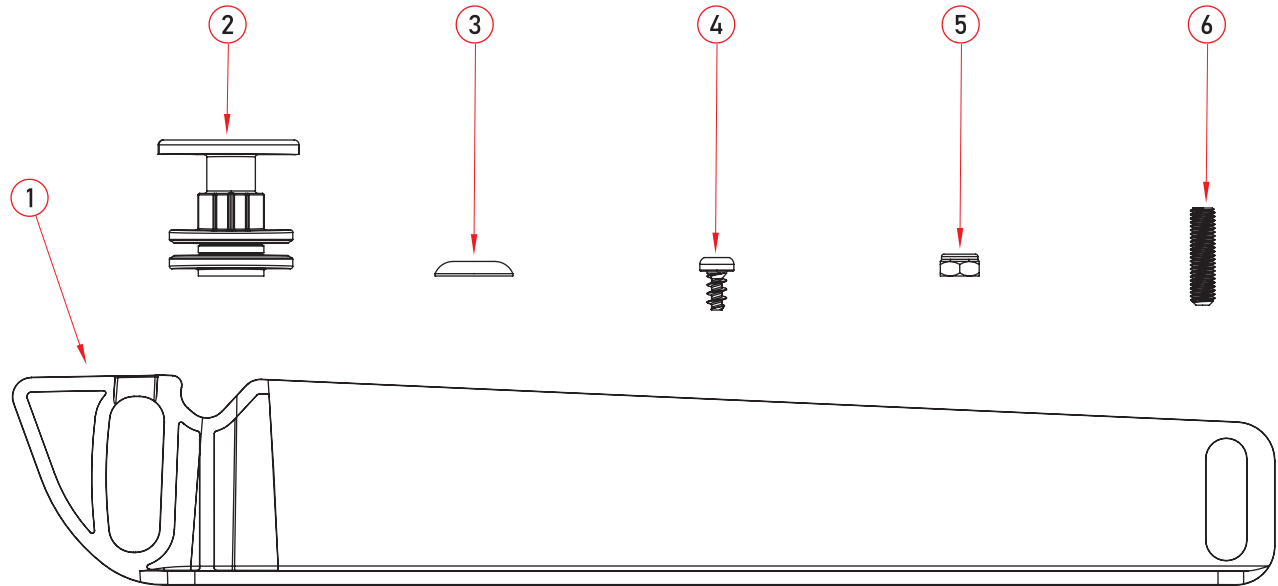
### BILL OF MATERIALS

ITEM NO.	DESCRIPTION	QTY
1	PCS31230-EU Owner's Manual	1



# Inner Guard Shell Kit for PCS (Europe and UK)

Part Number: PCS-KIT-028

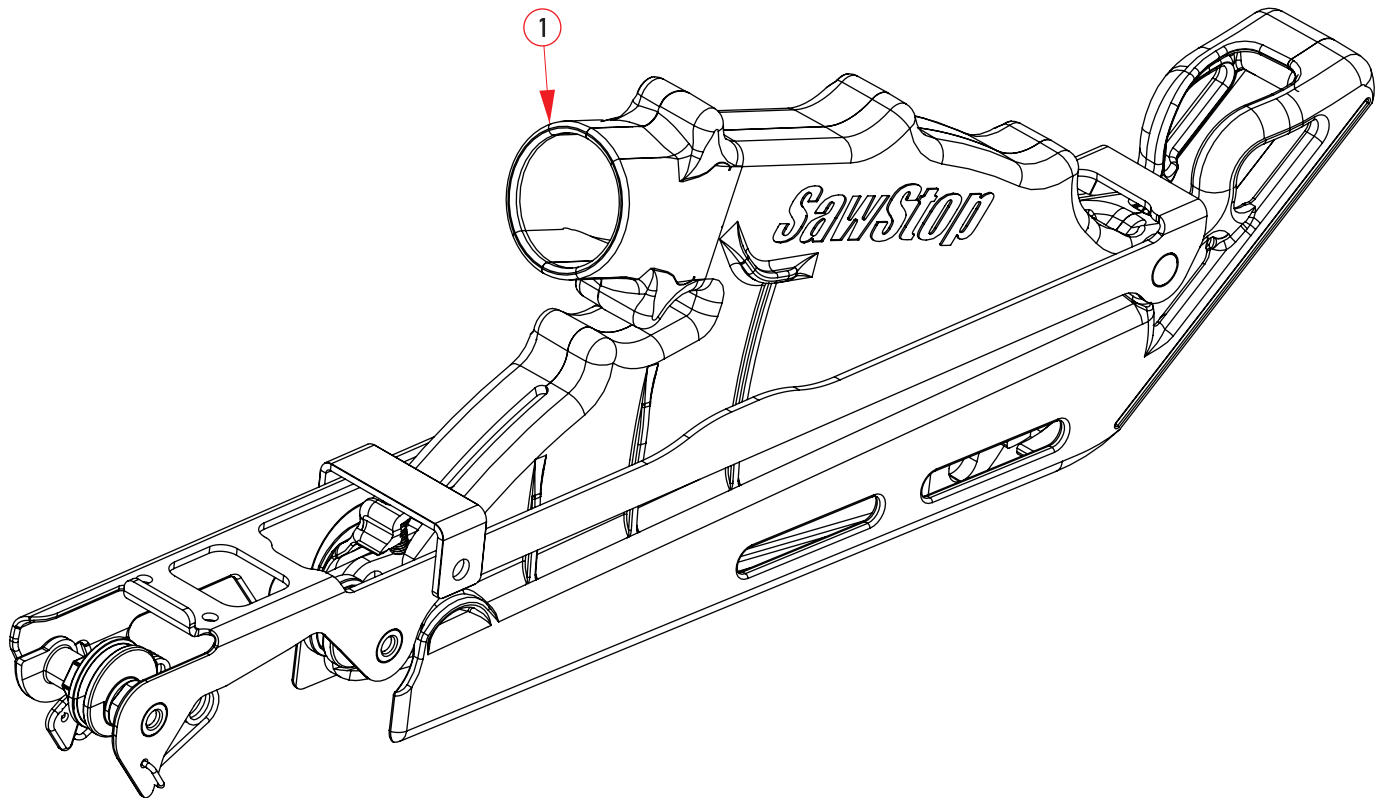


## BILL OF MATERIALS

ITEM NO.	DESCRIPTION	QTY
1	Guard, Middle	1
2	Wheel, Height Adjustment	1
3	Washer, M4, 16mm ODx3mm THK, Polycarbonate, Custom	1
4	Screw, M4x1.6, 8mm, Pan Head, Phillips, Plastite, Silver Zinc	1
5	Nut, M5x0.8, Nylon Insert, Black Zinc	1
6	Set Screw, M5x0.8, 20mm, Socket Head, Black Zinc	1

# Blade Guard Shell Assembly for PCS (Europe & UK)

Part Number: PCS-KIT-030

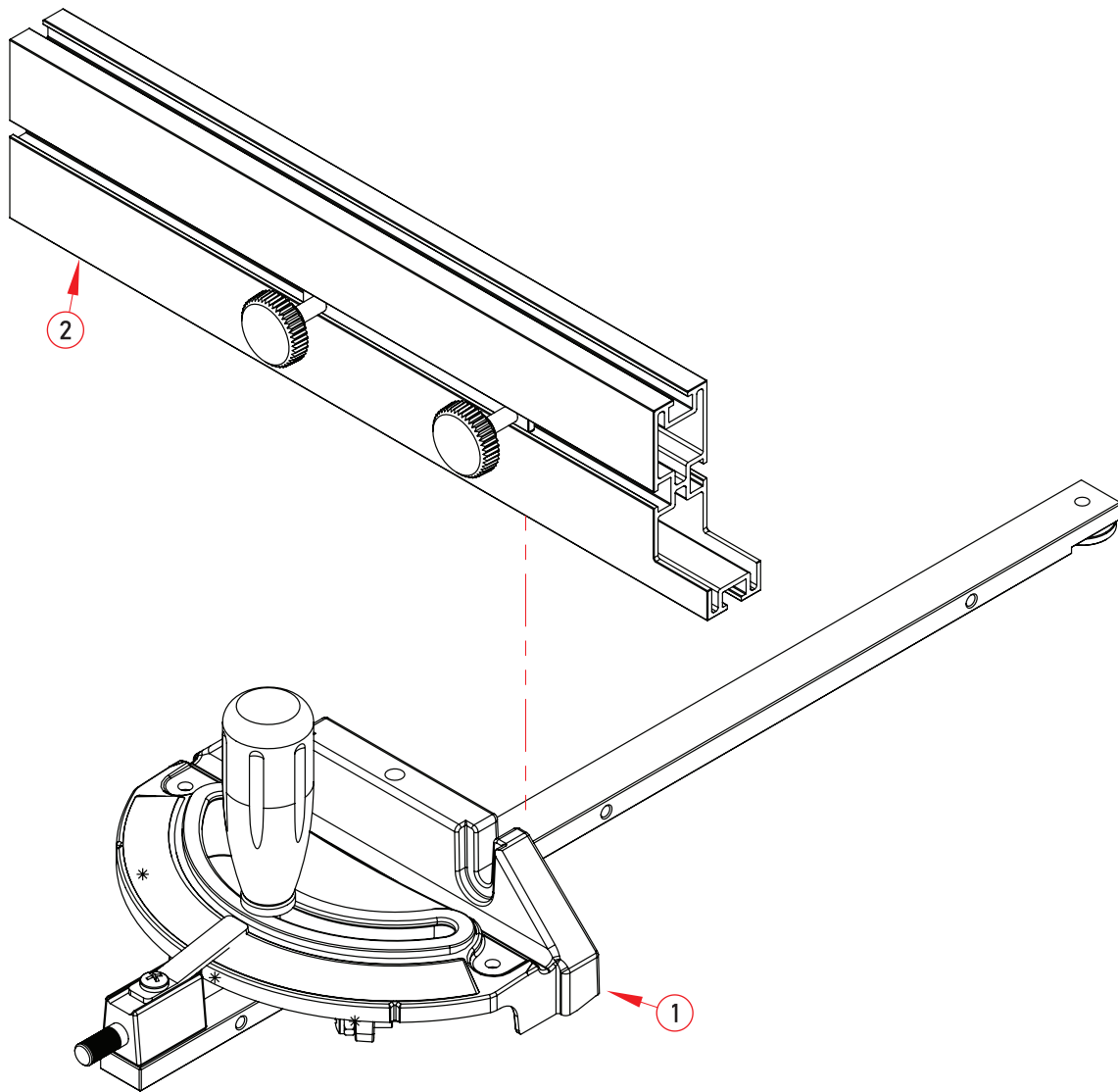


## BILL OF MATERIALS

ITEM NO.	DESCRIPTION	QTY
1	Dust Collection Blade Guard	1

# Miter Gauge Assembly for PCS (Europe and UK)

Part Number: PCS-KIT-031

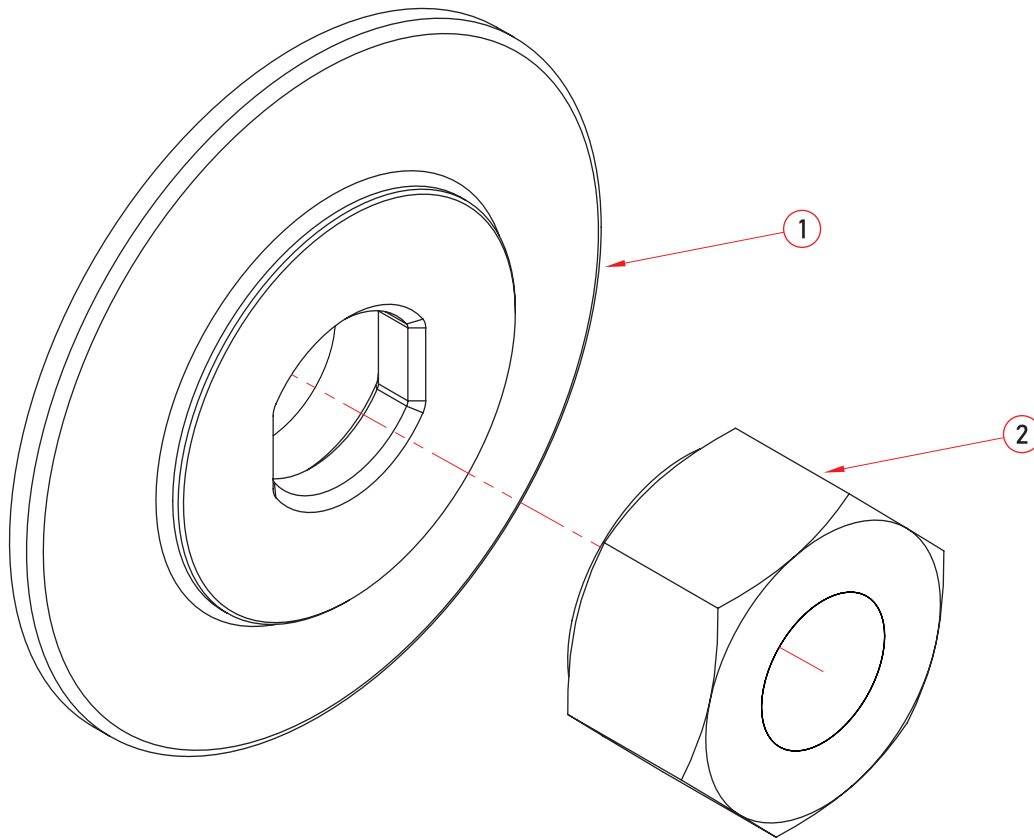


## BILL OF MATERIALS

ITEM NO.	DESCRIPTION	QTY
1	Miter Gauge, Base, Crosscut	1
2	Crosscut Fence Assembly	1

# Dado Arbor Nut and Washer

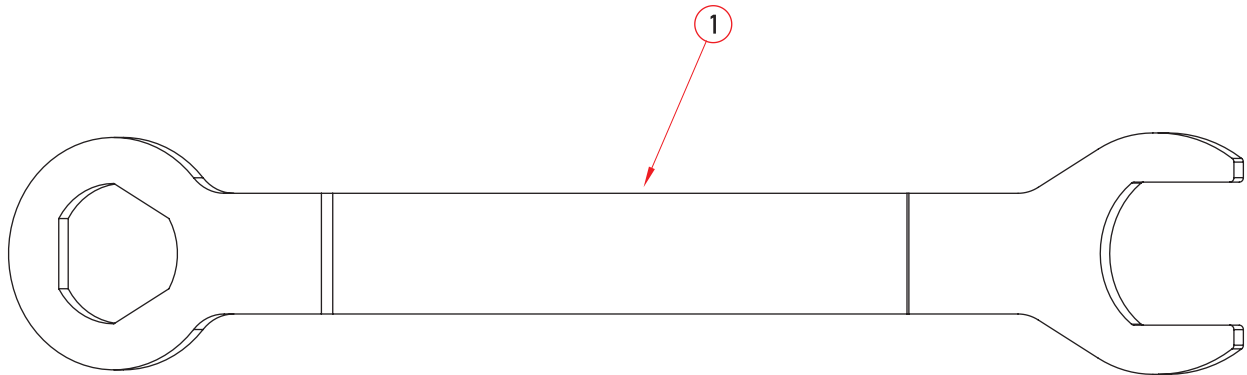
Part Number: PCS-KIT-039



BILL OF MATERIALS		
ITEM NO.	DESCRIPTION	QTY
1	Washer, Outer, 5-8in, Arbor	1
2	Nut, Arbor, ICS	1

# Blade Wrench Kit for PCS

Part Number: PCS-KIT-040

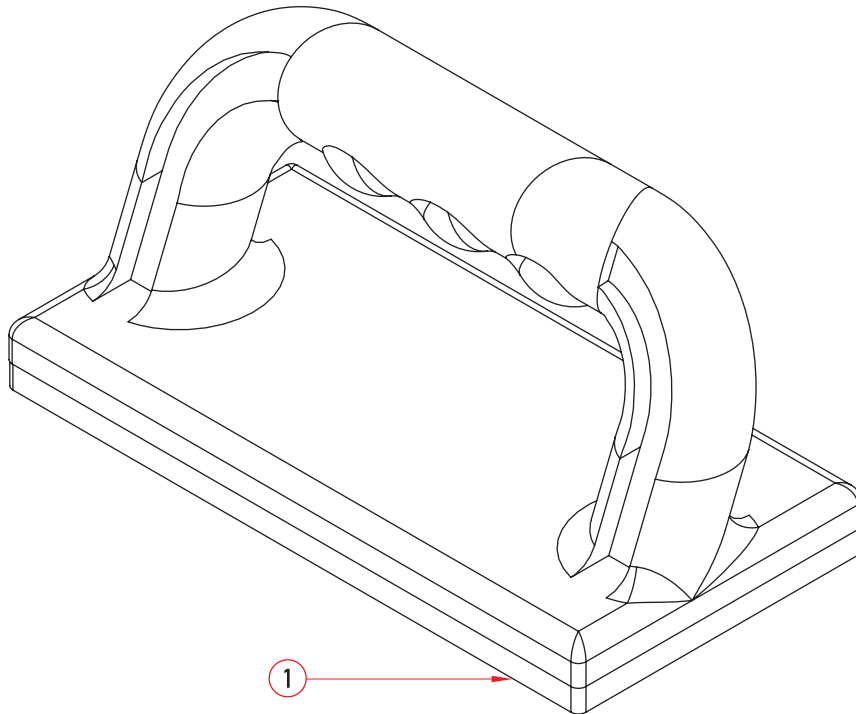


BILL OF MATERIALS		
ITEM NO.	DESCRIPTION	QTY
1	Wrench, Blade Small	1



# Push Block Kit for PCS

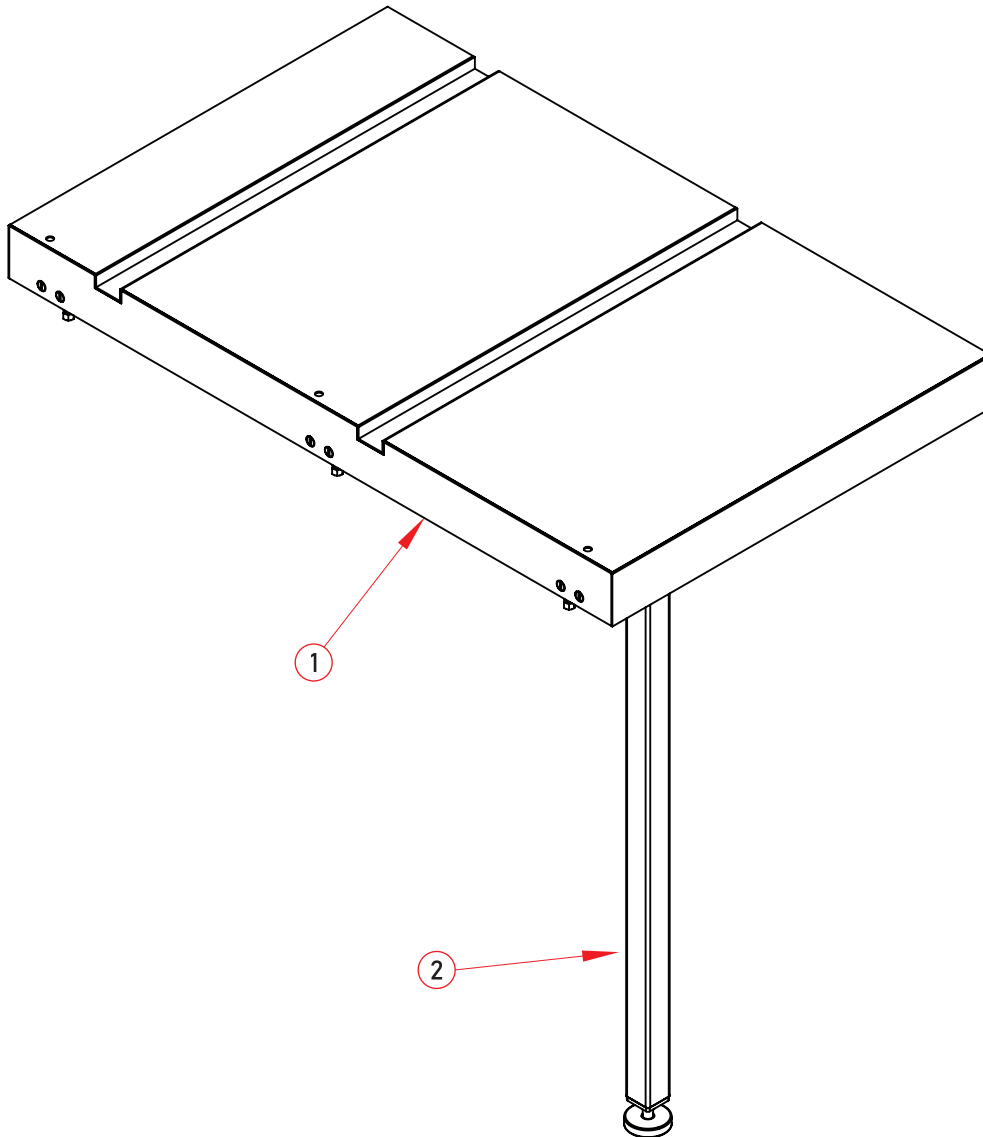
Part Number: PCS-KIT-043



BILL OF MATERIALS		
ITEM NO.	DESCRIPTION	QTY
1	Push Block	1

# Main, Outfeed Table for PCS (Europe and UK)

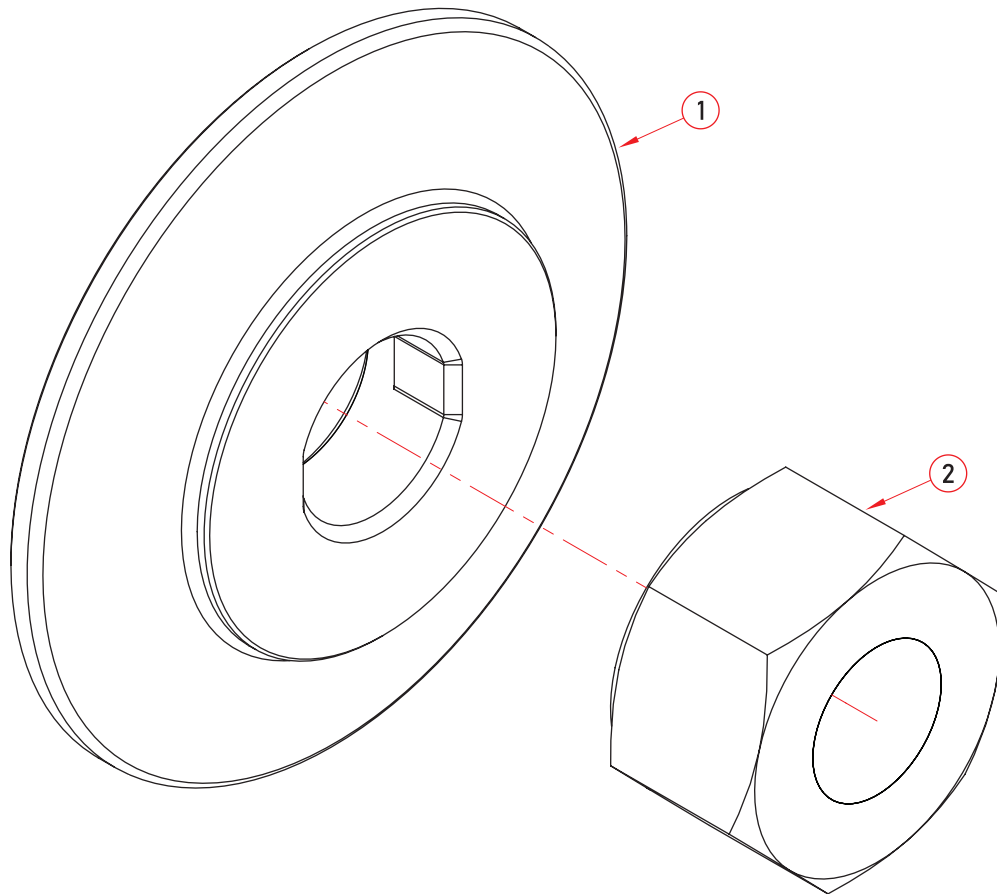
Part Number: PCS-KIT-044



BILL OF MATERIALS		
ITEM NO.	DESCRIPTION	QTY
1	Main, Outfeed Table	1
2	Leg, Table Support, TGP2	1

# Arbor Nut & Washer for PCS (Europe and UK)

Part Number: PCS-KIT-045

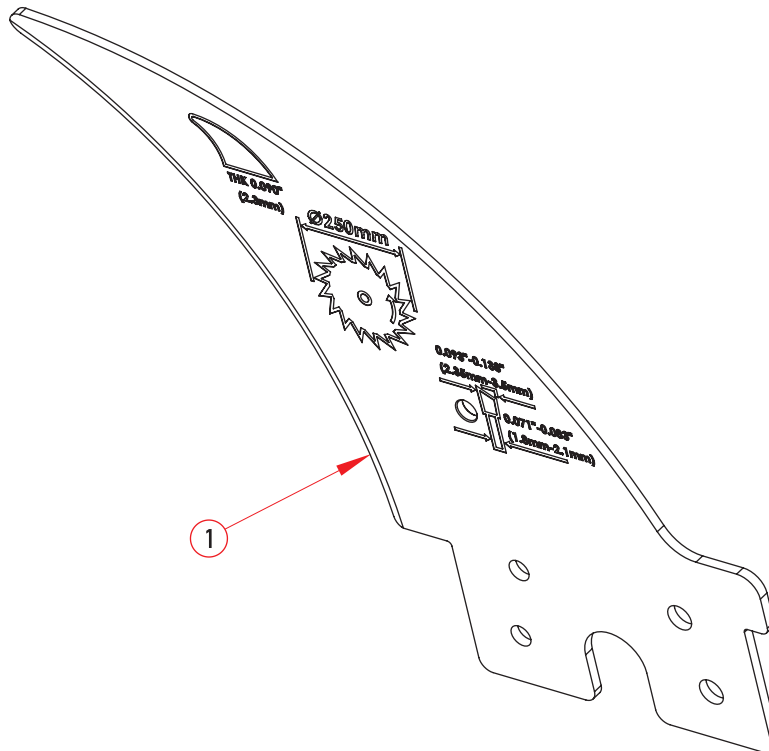


BILL OF MATERIALS		
ITEM NO.	DESCRIPTION	QTY
1	Washer, Outer, 30mm, Arbor	1
2	Nut, Arbor	1



# Riving Knife Kit, 250MM for PCS

Part Number: PCS-KIT-047

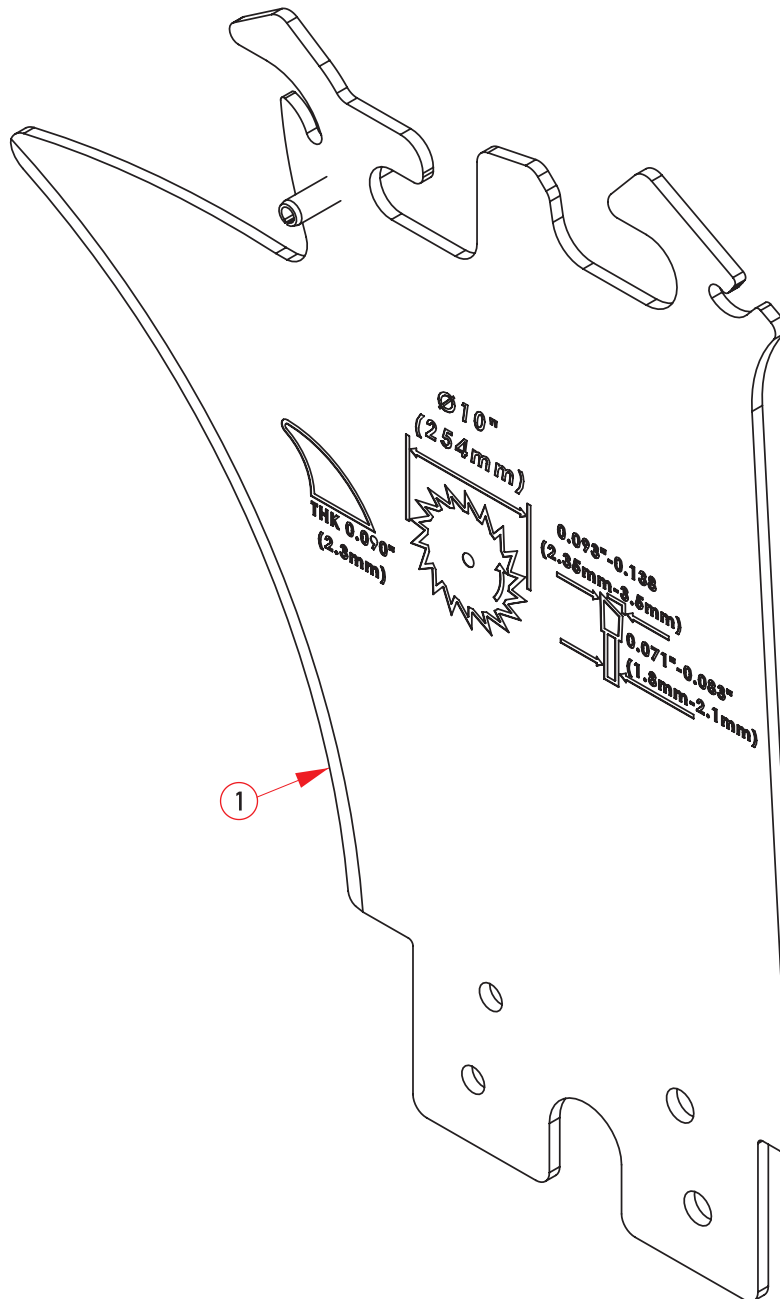


## BILL OF MATERIALS

ITEM NO.	DESCRIPTION	QTY
1	Knife, Riving, 2.3mm, 250mm Blade	1

# Spreader Kit for PCS (Europe and UK)

Part Number: PCS-KIT-048

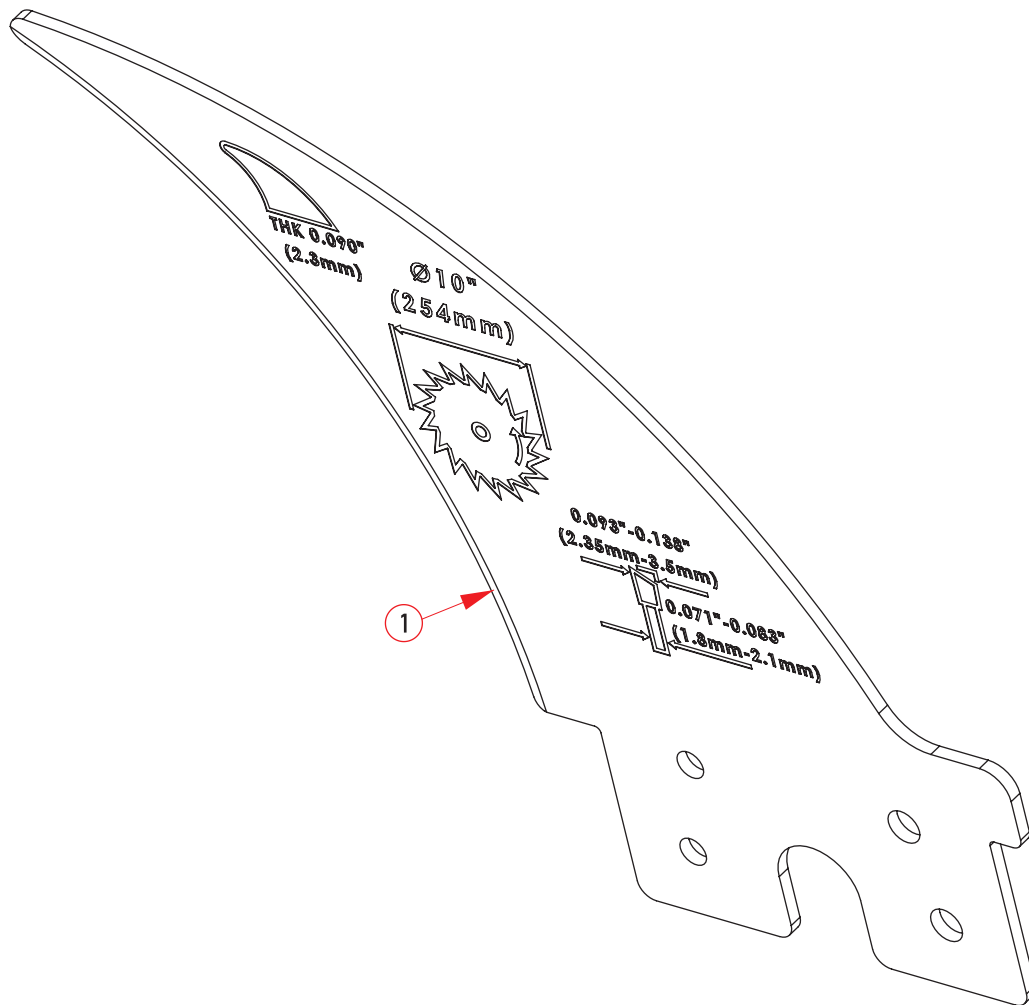


BILL OF MATERIALS		
ITEM NO.	DESCRIPTION	QTY
1	Spreader, 2.3mm, 254mm Blade	1



# Riving Knife Kit, 254MM for PCS

Part Number: PCS-KIT-050

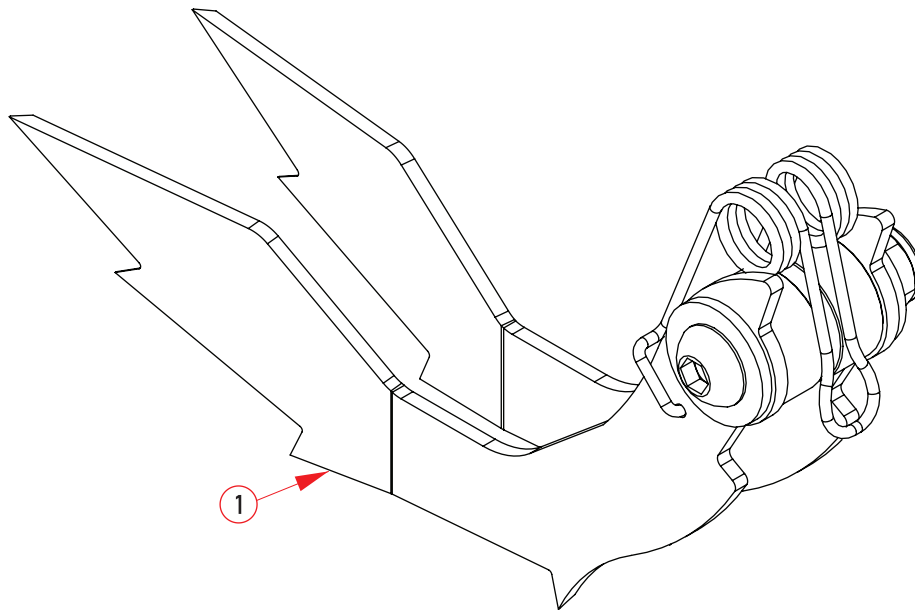


## BILL OF MATERIALS

ITEM NO.	DESCRIPTION	QTY
1	Knife, Riving, 2.3mm, 254mm Blade	1

# Anti-kickback Pawl Assembly for PCS

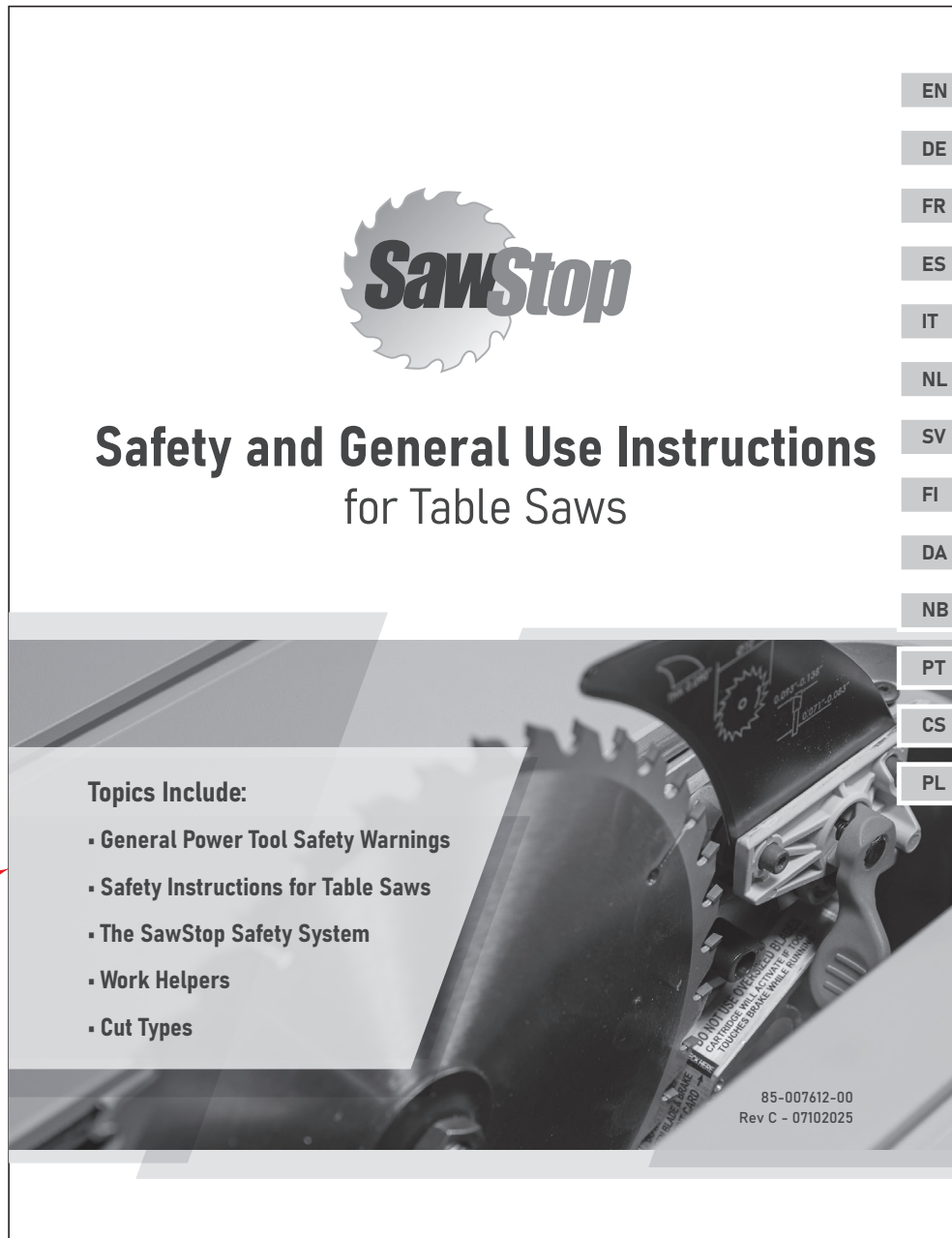
Part Number: PCS-KIT-051



BILL OF MATERIALS		
ITEM NO.	DESCRIPTION	QTY
1	Anti-Kickback Pawl Assembly	1

# Safety and General Use Instructions for Table Saws - 13 languages.

Part Number: PCS-KIT-055



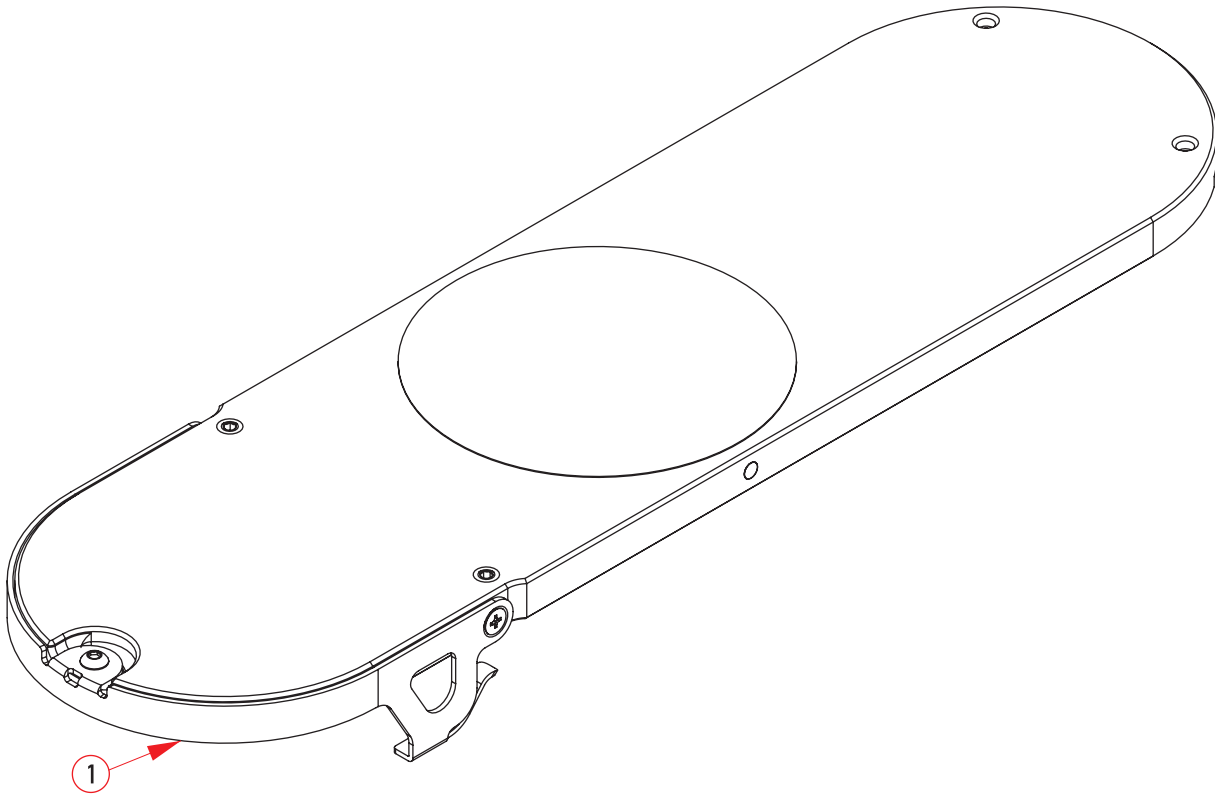
1

BILL OF MATERIALS		
ITEM NO.	DESCRIPTION	QTY
1	Safety and General Use Instructions	1



# Dado Table Insert Kit for PCS (Europe and UK)

Part Number: TSI-DLD-I

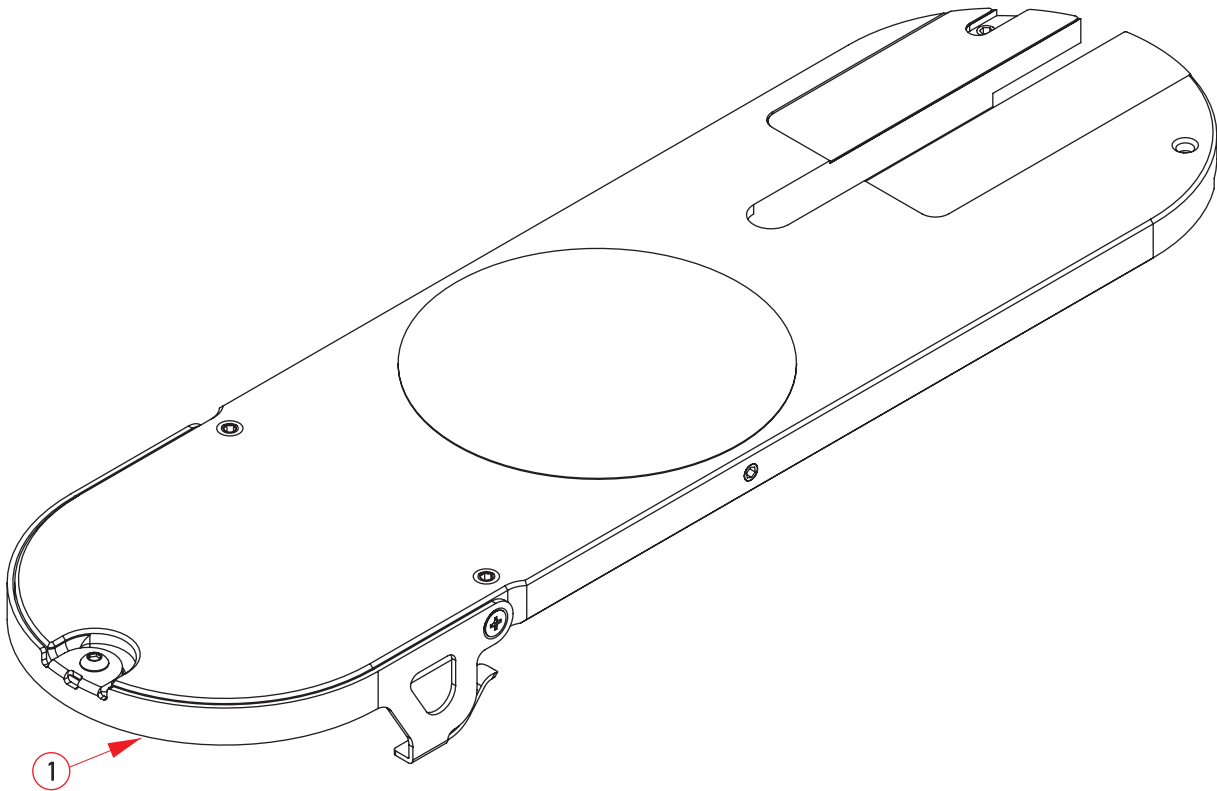


BILL OF MATERIALS		
ITEM NO.	DESCRIPTION	QTY
1	Dado Insert Assembly, Table Saw, Standard, Lock Down	1



# Table Insert Kit for PCS (Europe and UK)

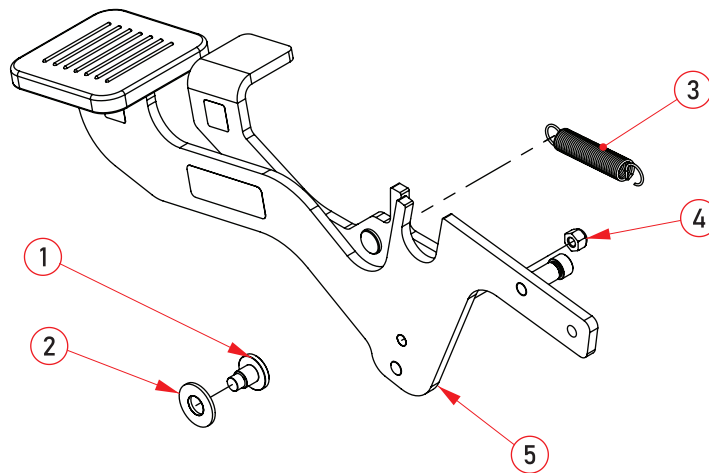
Part Number: TSI-SLD-I



BILL OF MATERIALS		
ITEM NO.	DESCRIPTION	QTY
1	Insert Assembly, Table Saw, Standard, Lock Down	1

# Foot Pedal

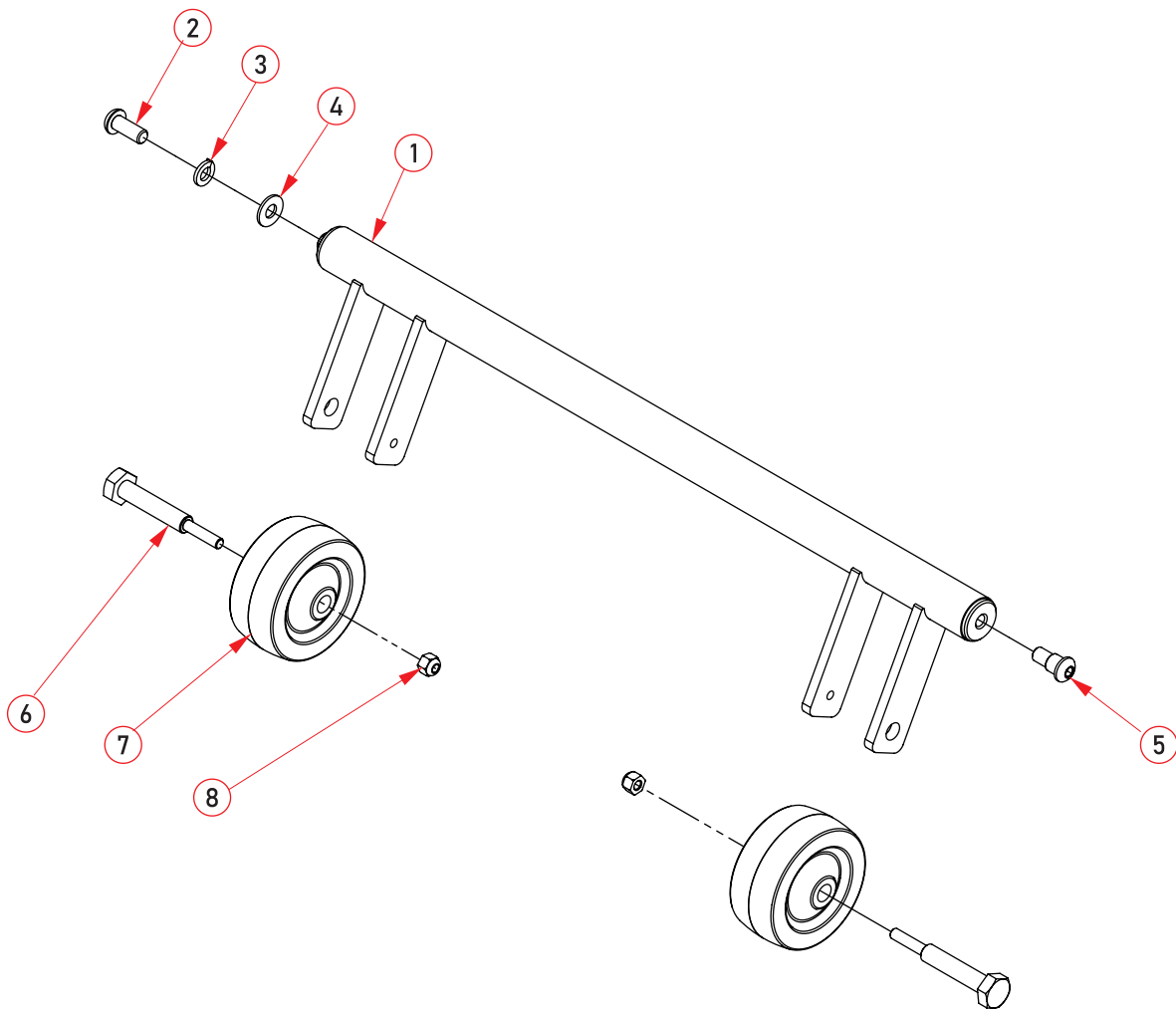
Part Number: PCS-KIT-115



BILL OF MATERIALS		
ITEM NO.	DESCRIPTION	QTY
1	Bolt, Shoulder, 10mm ODx8.77mm, M8x1.25, Loctite, Socket	1
2	Washer, M10, 25mm ODx2mm THK, Plastic, Adhesive	1
3	Spring, Release Lever, Extension, MBPCS	1
4	Nut, M6x1.0, Nylon Insert, Black Oxide	1
5	Integrated Mobile Base Foot Pedal Assembly	1

# Fixed Wheel Assembly

Part Number: PCS-KIT-116

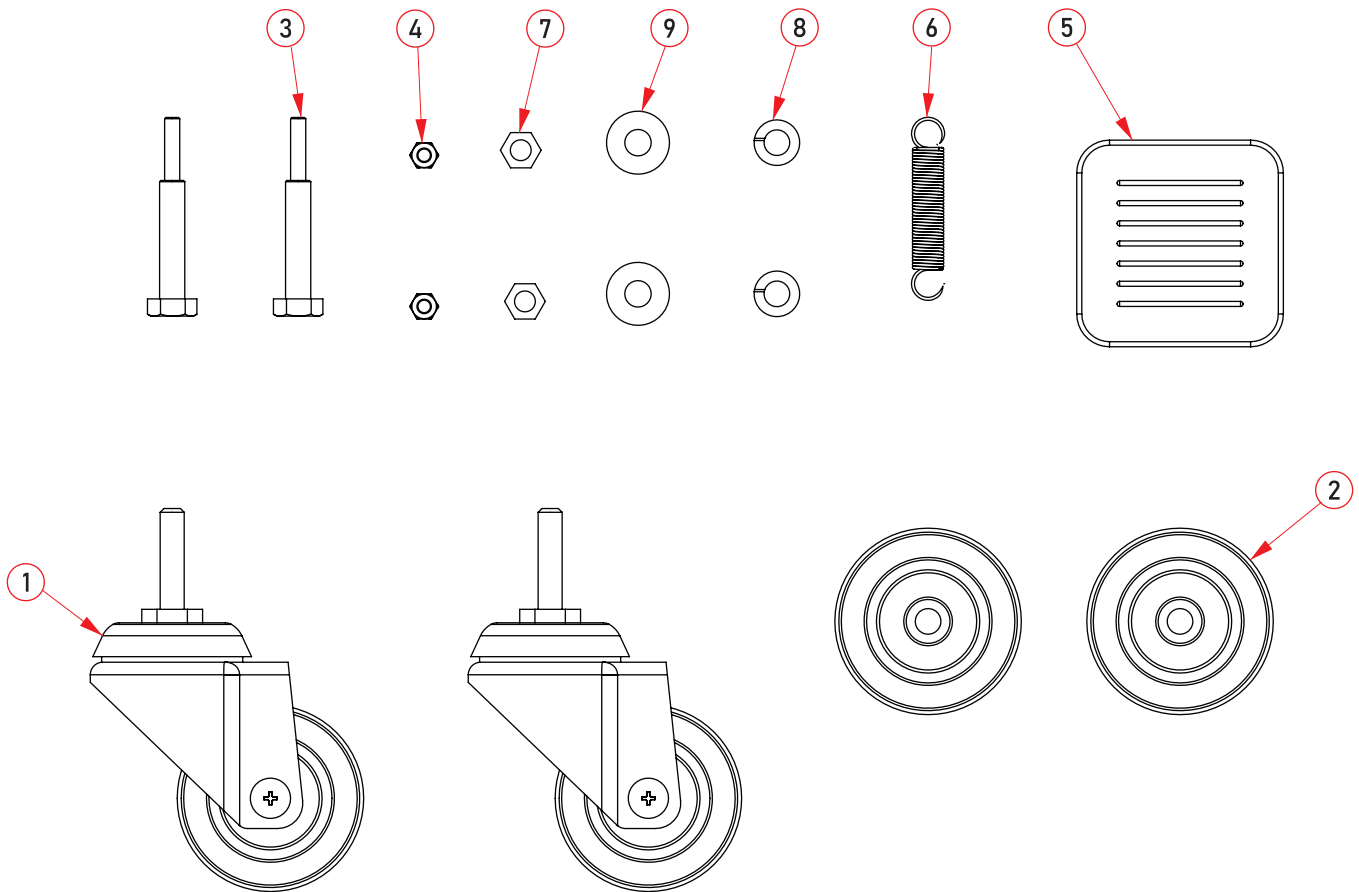


## BILL OF MATERIALS

ITEM NO.	DESCRIPTION	QTY
1	Support, Wheel, MBPCS	1
2	Bolt, M8x1.25, 20mm, Button Head, Socket	1
3	Washer, M8, Lock	1
4	Washer, M8, Flat, 18mm ODx1.5mm THK	1
5	Bolt, Shoulder, 10mm ODx9mm, M8x1.25, Button Head, Socket	1
6	Bolt, Shoulder, 10mm ODx47mm, M6x1.0, 17mm Hex Head	2
7	Wheel, 3" Fixed, MBCNS	2
8	Nut, M6x1.0, Nylon Insert, Black Oxide	2

# Component Refresh

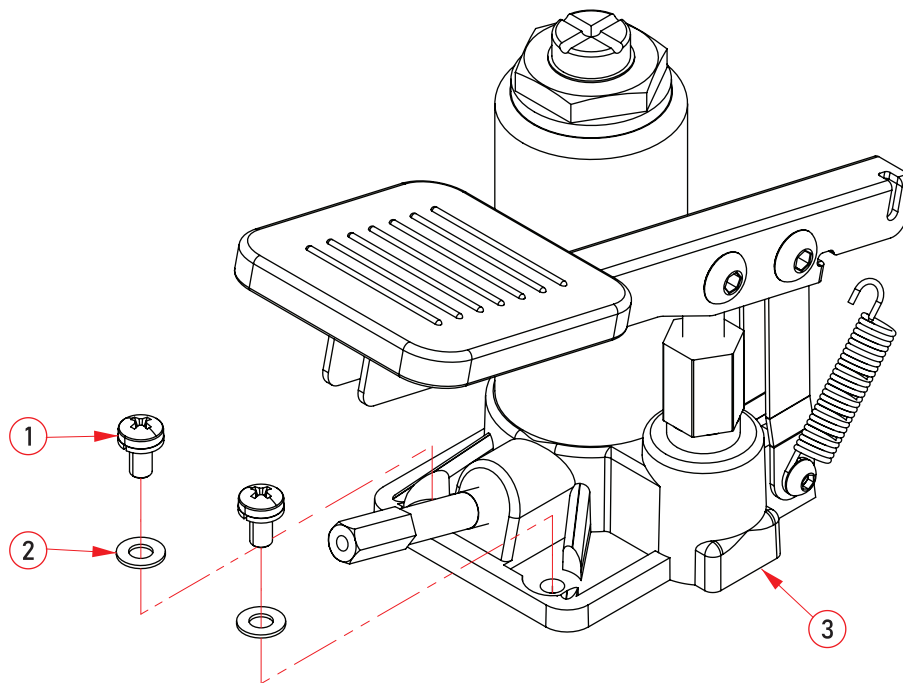
Part Number: PCS-KIT-117



BILL OF MATERIALS		
ITEM NO.	DESCRIPTION	QTY
1	Wheel, 3" Swivel Caster, Stem Mount, MBPCS	2
2	Wheel, 3" Fixed, MBCNS	2
3	Bolt, Shoulder, 10mm ODx47mm, M6x1.0, 17mm Hex Head	2
4	Nut, M6x1.0, Nylon Insert, Black Oxide	2
5	Pad, Foot, MBIND	1
6	Spring, Release Lever, Extension, MBPCS	1
7	Nut, 3/8"-16, 14mm Hex	2
8	Washer, M10, Lock	2
9	Washer, M10, Flat, 25mm ODx1.5mm THK	2

# Hydraulic Jack

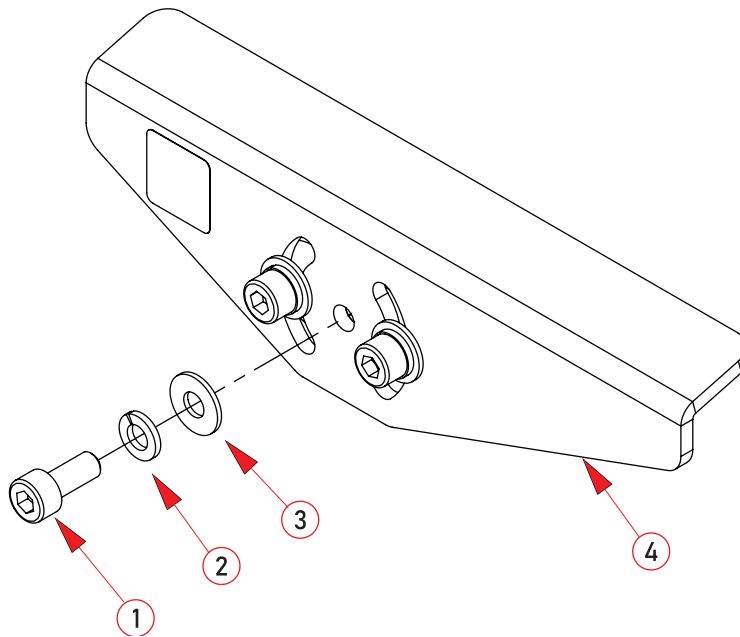
Part Number: PCS-KIT-118



BILL OF MATERIALS		
ITEM NO.	DESCRIPTION	QTY
1	Bolt, M6x1.0, 12mm, Lock Washer, Pan Head, Phillips	2
2	Washer, M6, Flat, 13mm ODx1mm THK	2
3	Hydraulic Jack	1

# Release Pedal

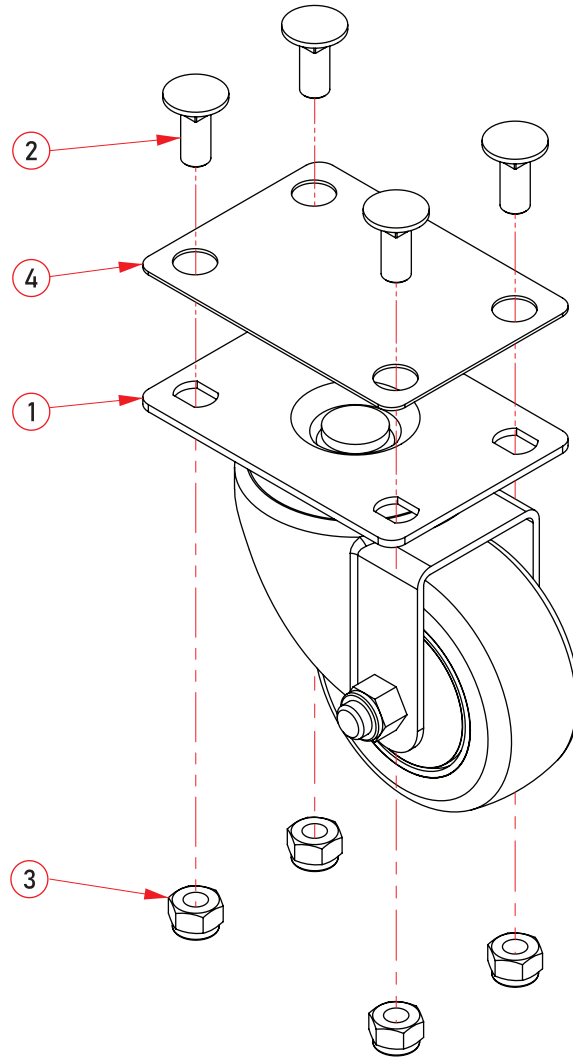
Part Number: PCS-KIT-119



BILL OF MATERIALS		
ITEM NO.	DESCRIPTION	QTY
1	Bolt, M5x0.8, 12mm, Socket Head Cap, Black Zinc	3
2	Washer, M5, Lock	3
3	Washer, M5, Flat, 12mm ODx1mm THK	3
4	Release Pedal Assembly	1

# Caster Wheel

Part Number: PCS-KIT-120

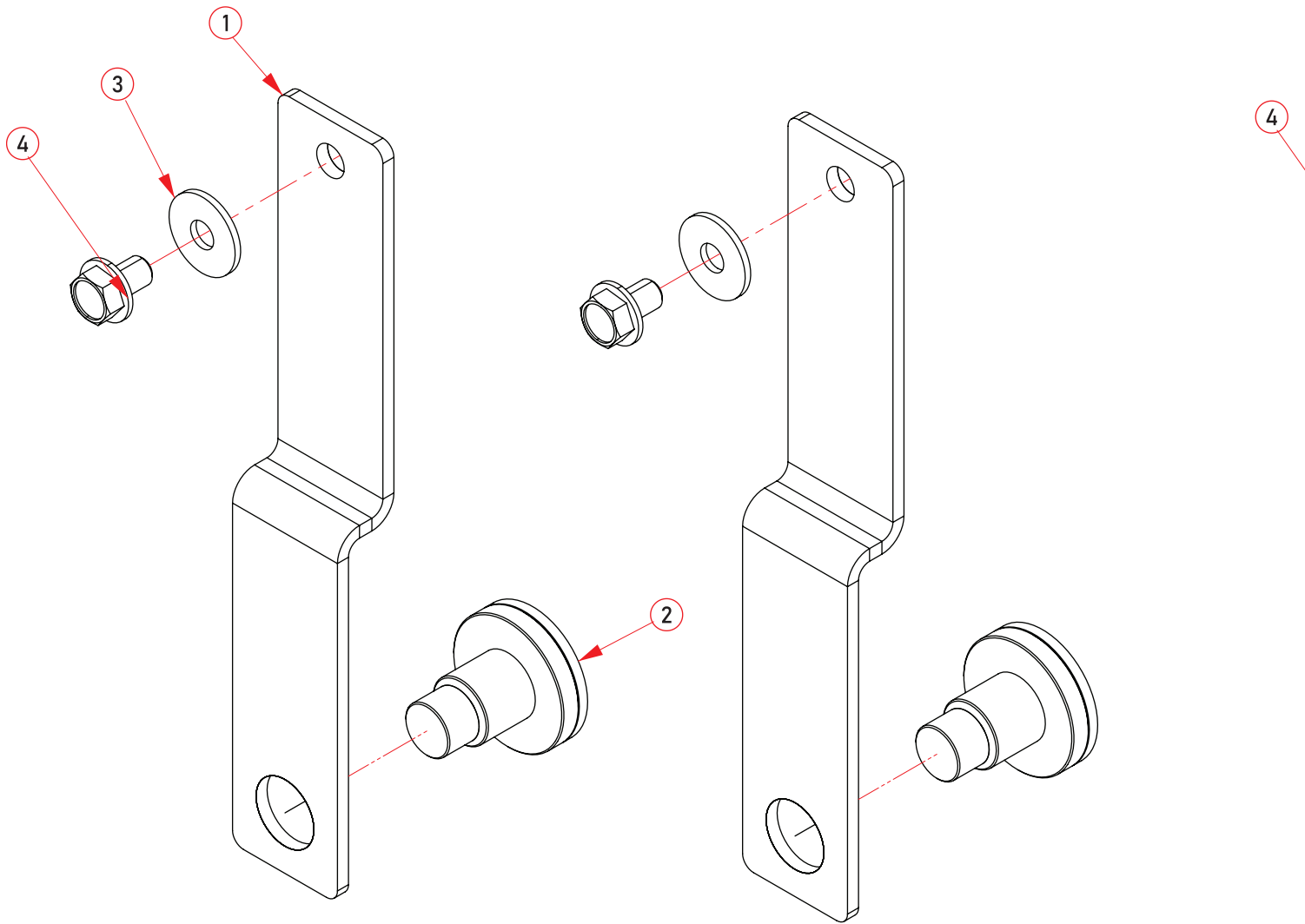


BILL OF MATERIALS		
ITEM NO.	DESCRIPTION	QTY
1	Wheel, 3" Swivel Caster, Plate Mount, Red Polyurethane, MBIND	1
2	Bolt, M8x1.25, 20mm, Carriage Head	4
3	Nut, M8x1.25, Nylock	4
4	Plate, Caster Support, MBIND	1



# Retention Strap

Part Number: PCS-KIT-121

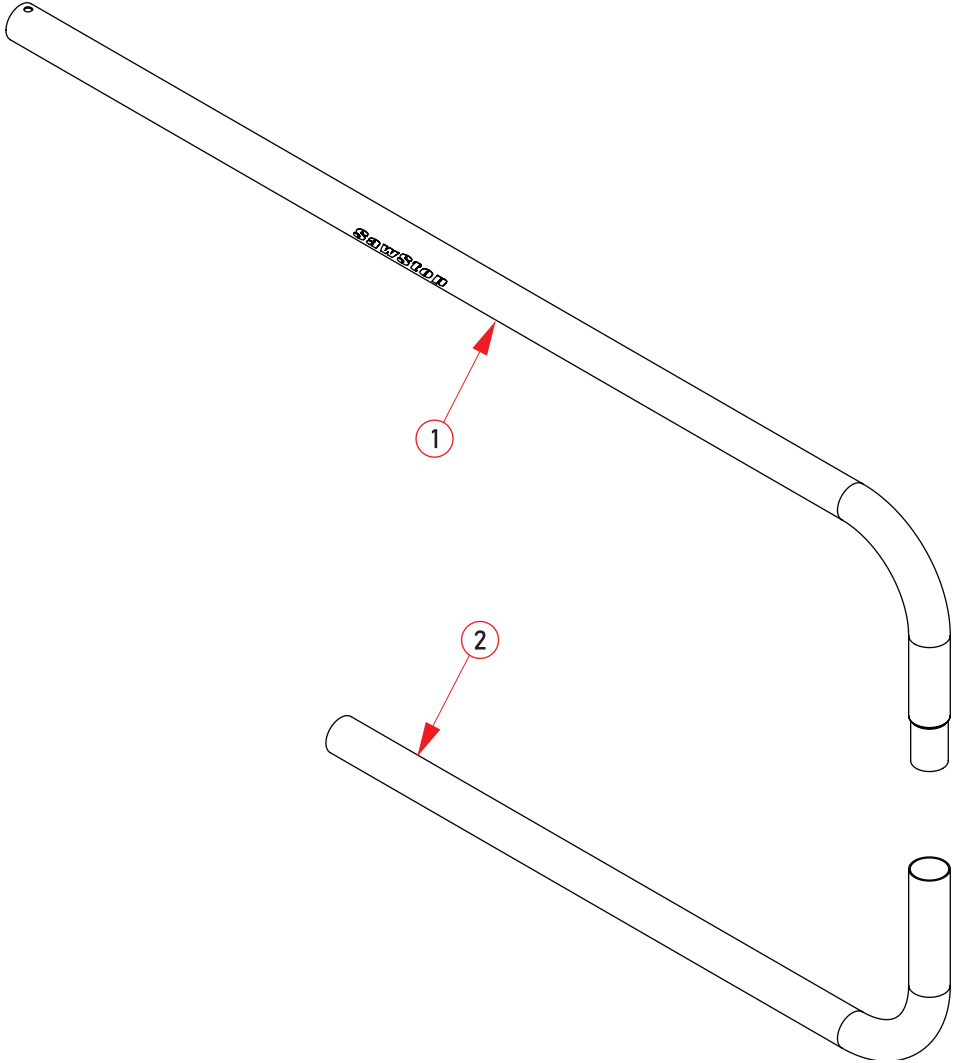


BILL OF MATERIALS		
ITEM NO.	DESCRIPTION	QTY
1	Bracket, Hold-Down, MBCK	2
2	Bolt, Shoulder, 10mm ODx8.7mm, M8x1.25, Loctite, Felt Bumper, Socket	2
3	Washer, M4, Flat, 12mm ODx1mm THK	2
4	Screw, Thread Cutting, 8-18, 1/4" Hex	2



# Dust Tube

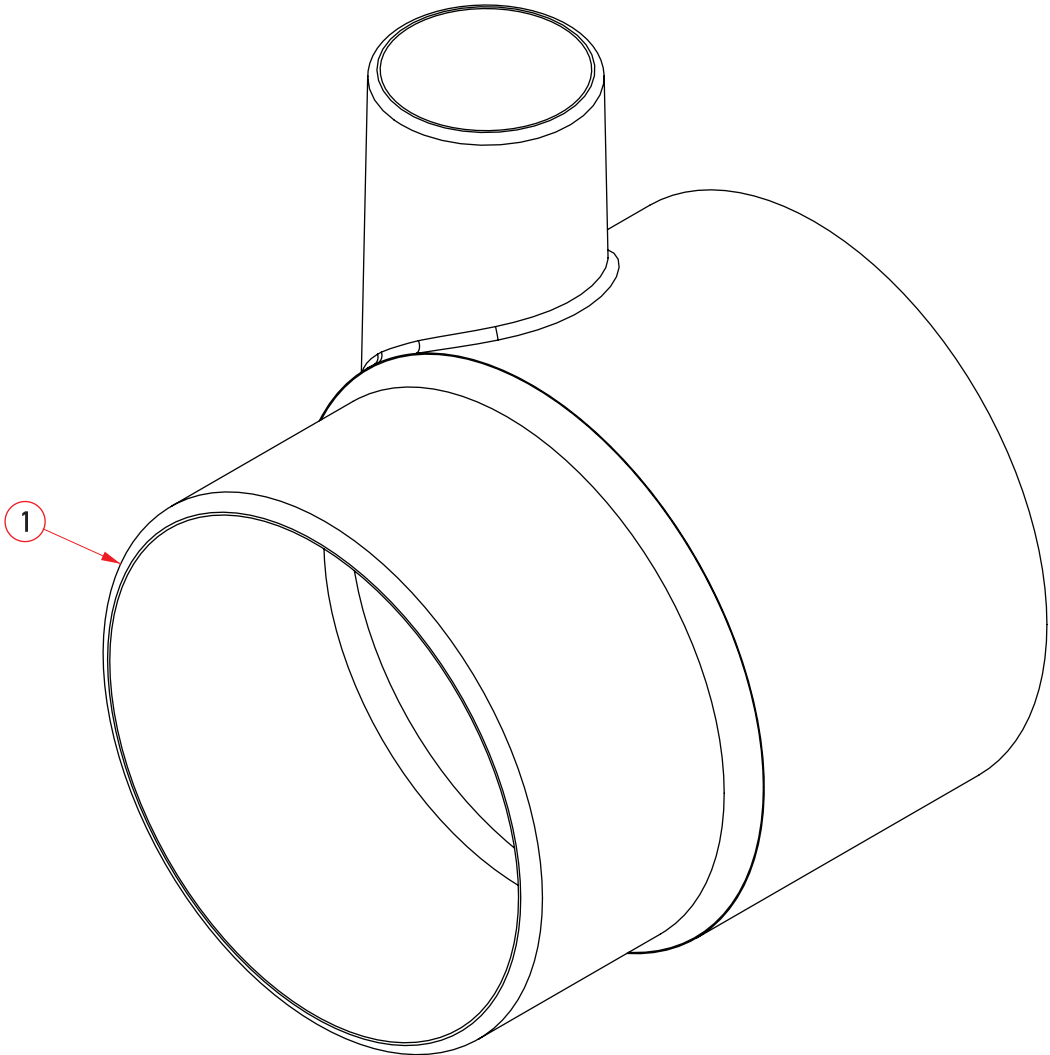
Part Number: PCS-KIT-101



BILL OF MATERIALS		
ITEM NO.	DESCRIPTION	QTY
1	Tube, Over-Arm, Upper, TSA-ODC	1
2	Tube, Over-Arm, Lower, TSA-ODC	1

# Dust Port Splitter

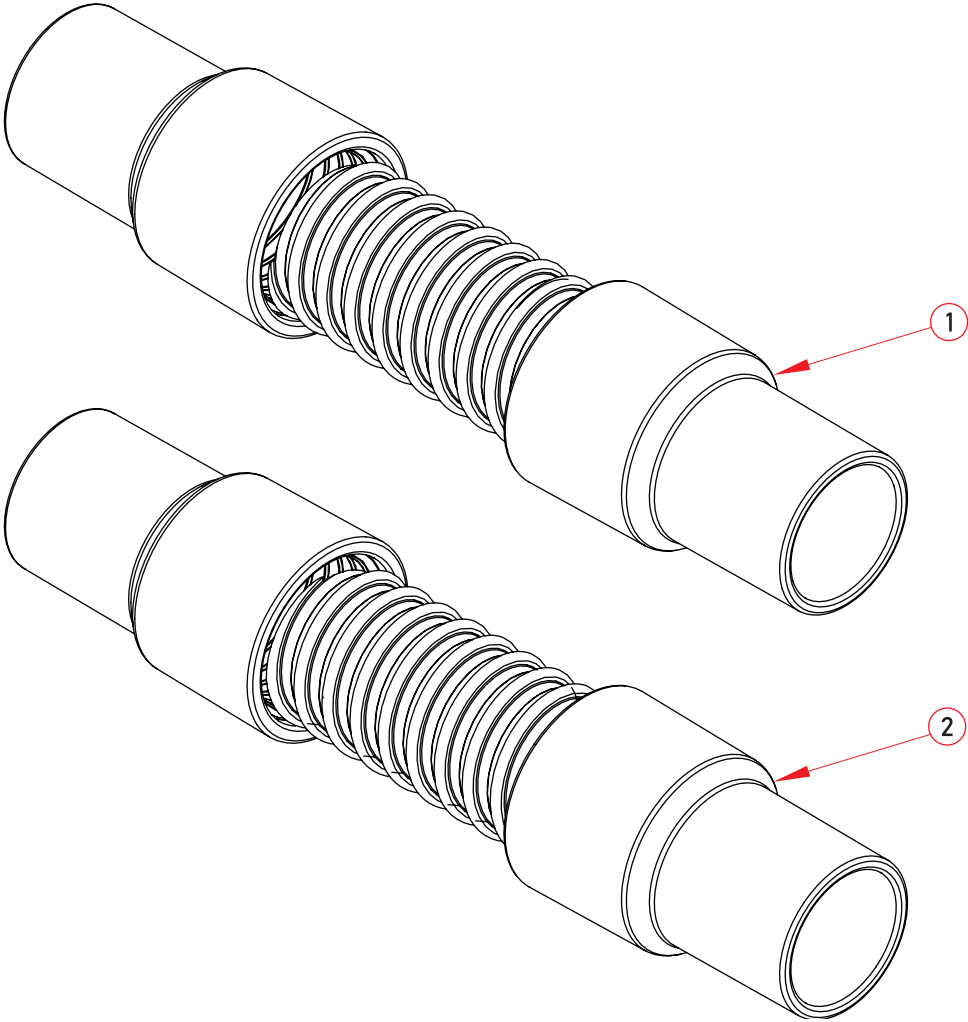
Part Number: PCS-KIT-102



BILL OF MATERIALS		
ITEM NO.	DESCRIPTION	QTY
1	Splitter, Dust Port, 4inx1.5in, TSA-ODC	1

# Dust Collection Hose

Part Number: PCS-KIT-103

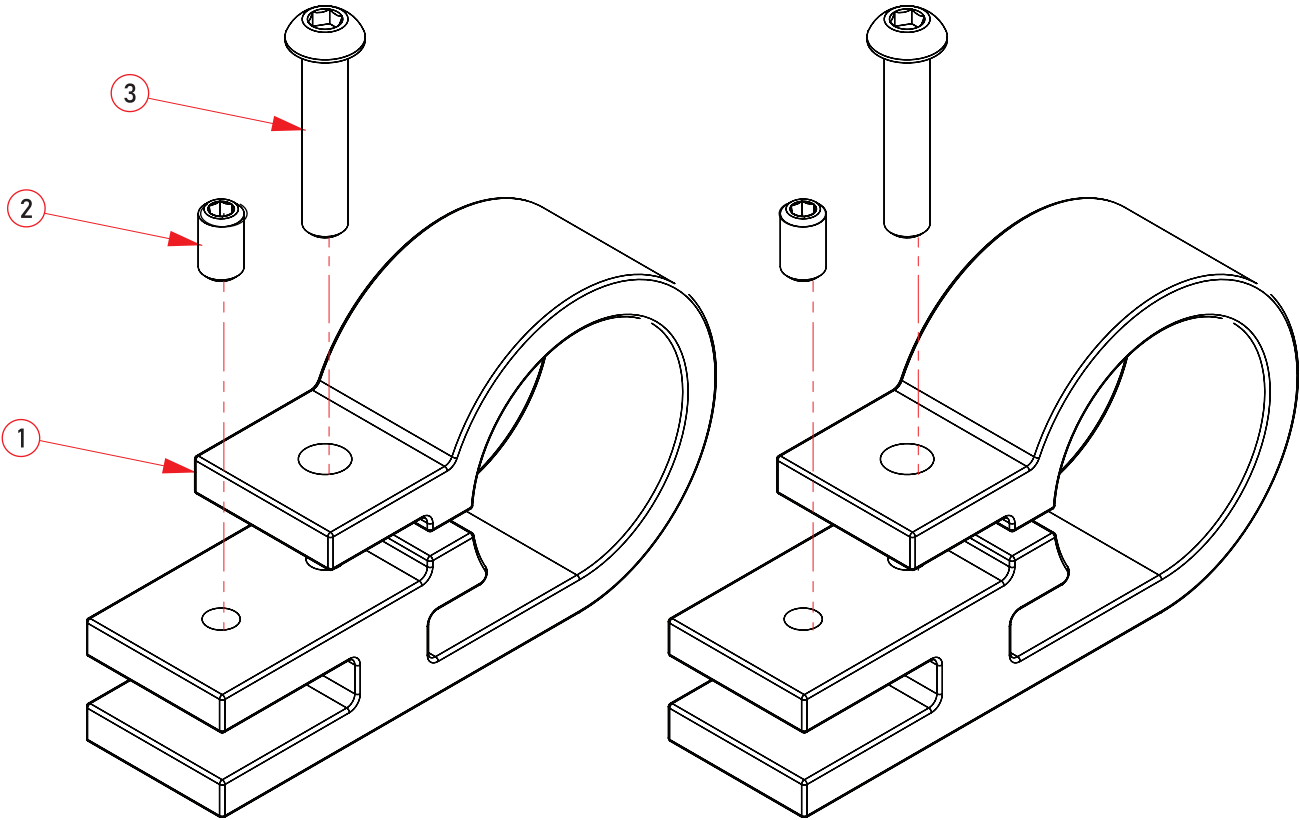


BILL OF MATERIALS		
ITEM NO.	DESCRIPTION	QTY
1	Dust Collection Hose, 1250mm	1
2	Dust Collection Hose, 800mm	1



# Mounting Bracket

Part Number: PCS-KIT-104

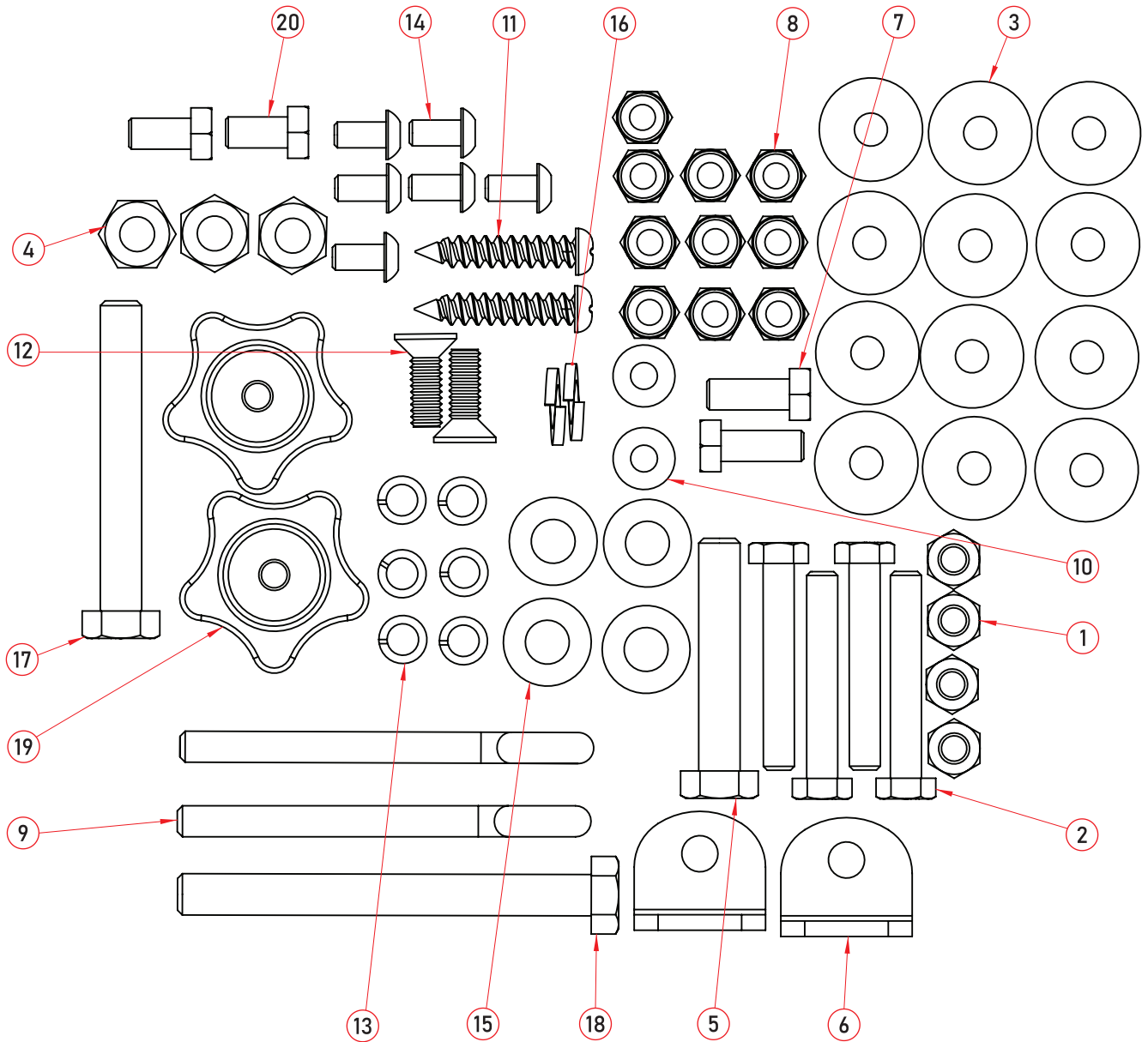


BILL OF MATERIALS		
ITEM NO.	DESCRIPTION	QTY
1	Clamp, Tube, Rear Rail, 1.5in, TSA-ODC	2
2	Set Screw, M6x1.0, 10mm, Loctite, Socket Head	2
3	Bolt, M6x1.0, 30mm, Loctite, Button Head, Socket	2



# Hardware Pack for Floating Dust Collector

Part Number: PCS-KIT-146



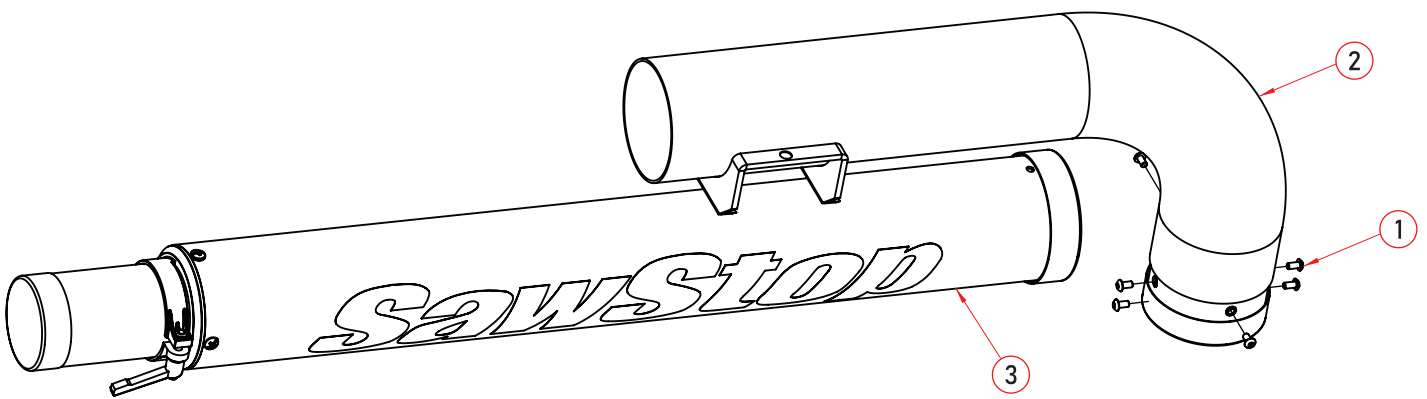
# Hardware Pack for Floating Dust Collector (cont.)

Part Number: PCS-KIT-146

BILL OF MATERIALS		
ITEM NO.	DESCRIPTION	QTY
1	Nut, M6x1.0, Silver Zinc	4
2	Bolt, M6x1.0, 40mm, Hex Head, Silver Zinc	4
3	Washer, M6, Flat, 20mm ODx1mm THK, Silver Zinc	12
4	Nut, M8x1.25, Black Zinc	3
5	Bolt, M8x1.25, 45mm, Hex Head, Silver Zinc	1
6	Bracket, Mounting, Leg Support, TSG-FDC	2
7	Bolt, M6x1.0, 16mm, Hex Head, Silver Zinc	2
8	Nut, M6x1.0, Nylon insert, Silver Zinc	10
9	Eye Bolt, 10.5mm ID, M6x1.0, 80mm, Silver Zinc	2
10	Washer, M5, Flat, 12mm ODx0.8mm THK, Silver Zinc	2
11	Screw, M5x2.1, 32mm, Button Head, Phillips, Nickel	2
12	Bolt, M6x1.0, 18mm, Flat Head, Socket, Black Zinc (UO)	2
13	Washer, M6, Lock, Silver Zinc	6
14	Bolt, M5x0.8, 10mm, Button Head, Socket, Black Zinc	6
15	Washer, M8xFlat, 17mm ODx2mm THK	4
16	Washer, M8, Lock, Black Zinc	2
17	Bolt, M8x1.25, 60mm, Hex Head	1
18	Bolt, M8x1.25, 80mm, Hex Head	1
19	Knob, Lock, Extension Leg, M6, TSG-FDC	2
20	Bolt, M6x1.0, 12mm, Hex Head, Silver Zinc	2

# Dust Tube

Part Number: PCS-KIT-147

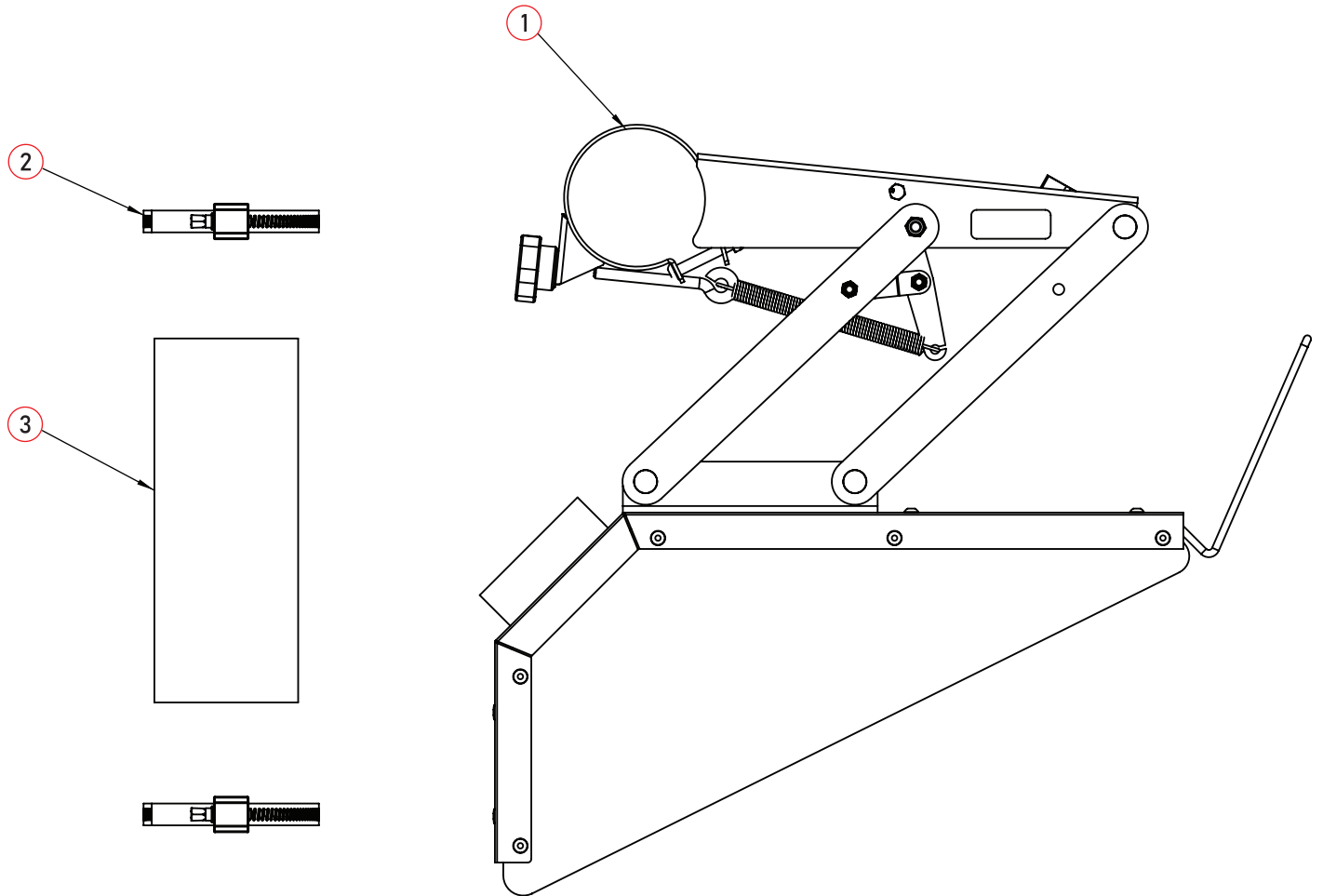


## BILL OF MATERIALS

ITEM NO.	DESCRIPTION	QTY
1	Bolt, M5x0.8, 10mm, Button Head, Socket, Black Zinc	6
2	Tube, Curved Assembly	1
3	TSA-FDC Telescoping Tube Assembly	1

# Guard Assembly

Part Number: PCS-KIT-148

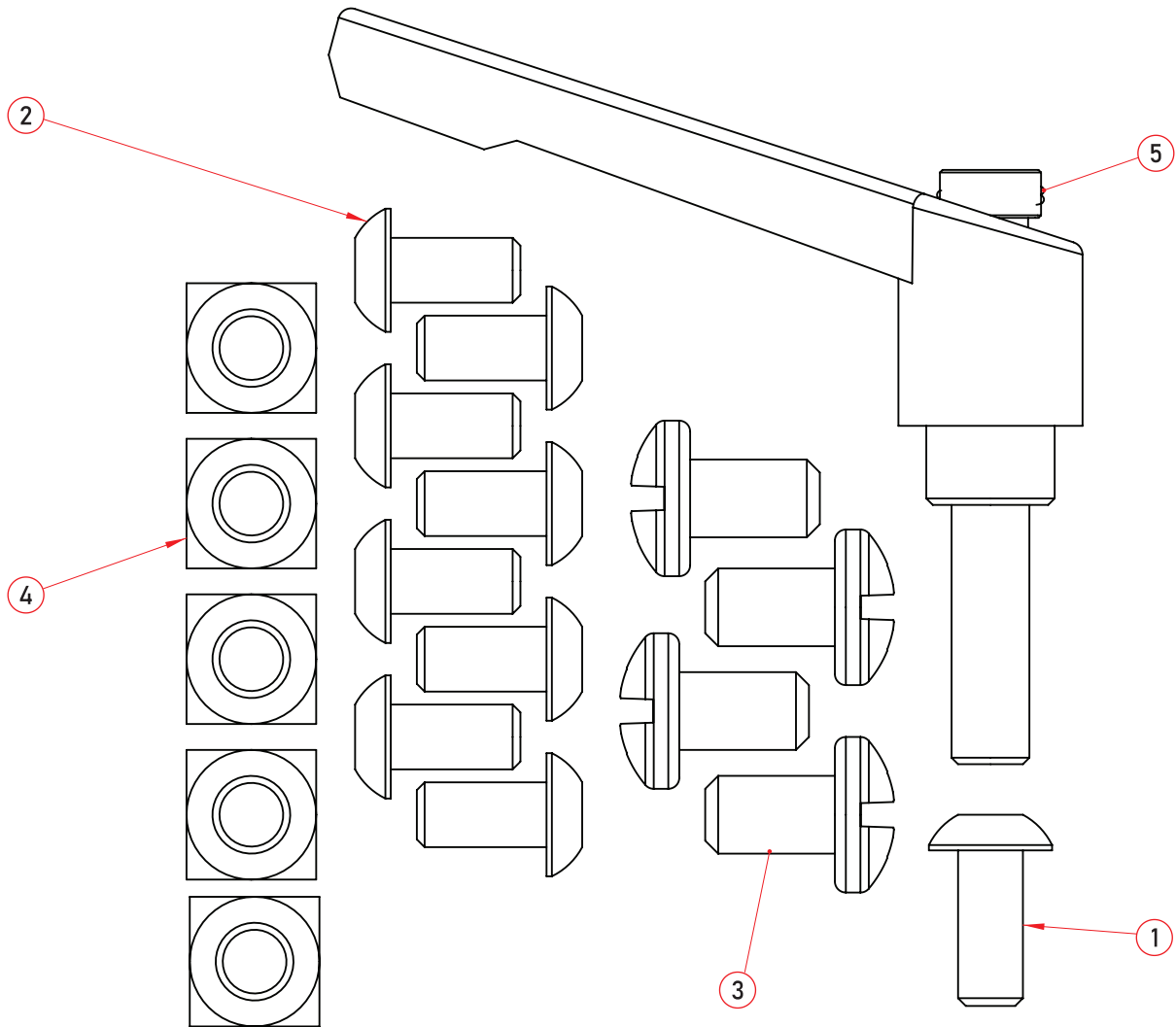


## BILL OF MATERIALS

ITEM NO.	DESCRIPTION	QTY
1	Floating Blade Guard Assembly, TSG-FDC	1
2	Clamp, Hose, 3.5", Phillips Adjust	2
3	Hose, Dust Collection, 76mm ID, TSG-FDC	1

# Dust Tube Hardware Kit

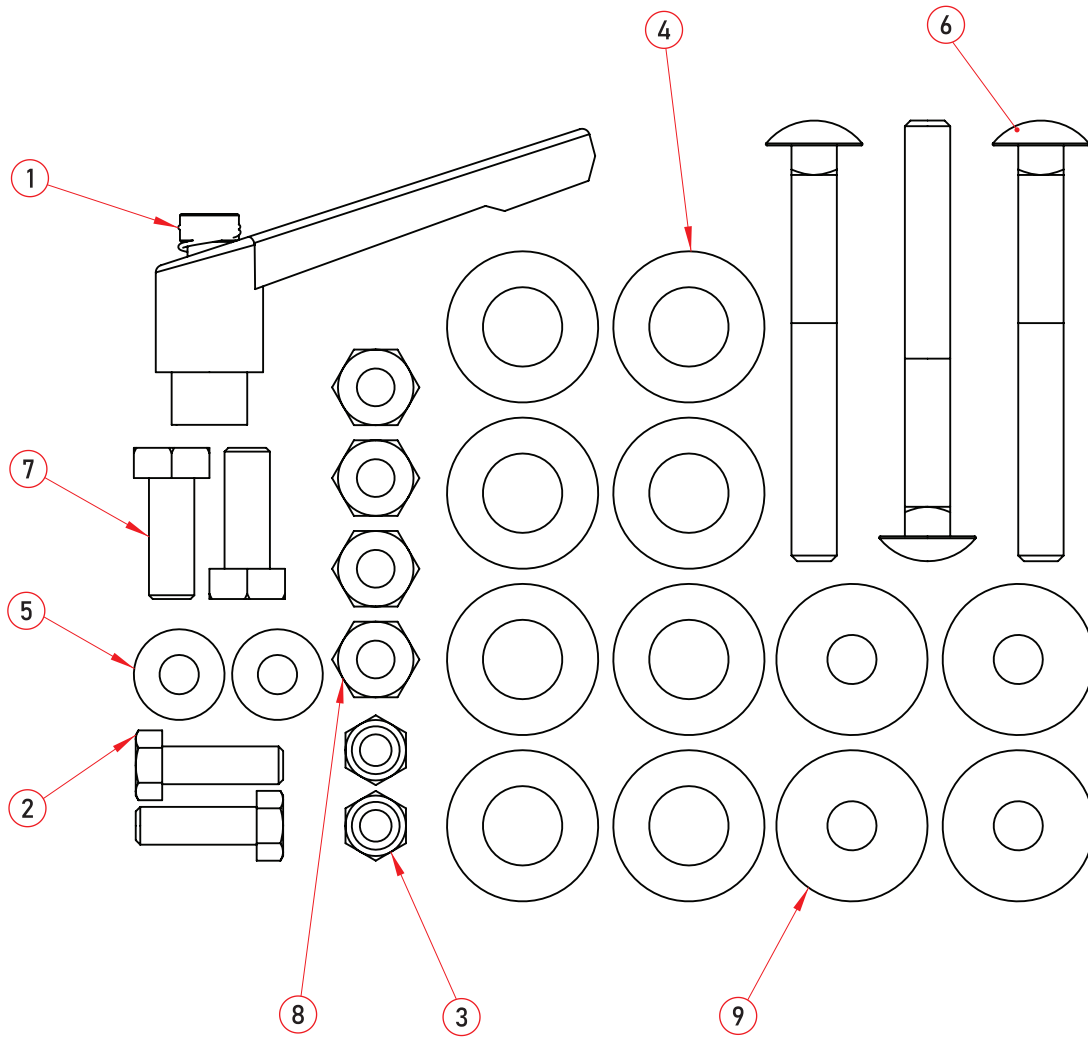
Part Number: PCS-KIT-149



BILL OF MATERIALS		
ITEM NO.	DESCRIPTION	QTY
1	Bolt, M5x0.8, 12mm, Button Head, Socket, Black Zinc	1
2	Bolt, M5x0.8, 10mm, Button Head, Socket, Black Zinc	8
3	Bolt, M6x1.0, 10mm, Pan Head, Phillips, Black Zinc	4
4	Nut, M6x1.0, Square	5
5	Knob, Dust Tube, Lock, M6, TSG-FDC	1

# Floating Guard Hardware Kit

Part Number: PCS-KIT-150

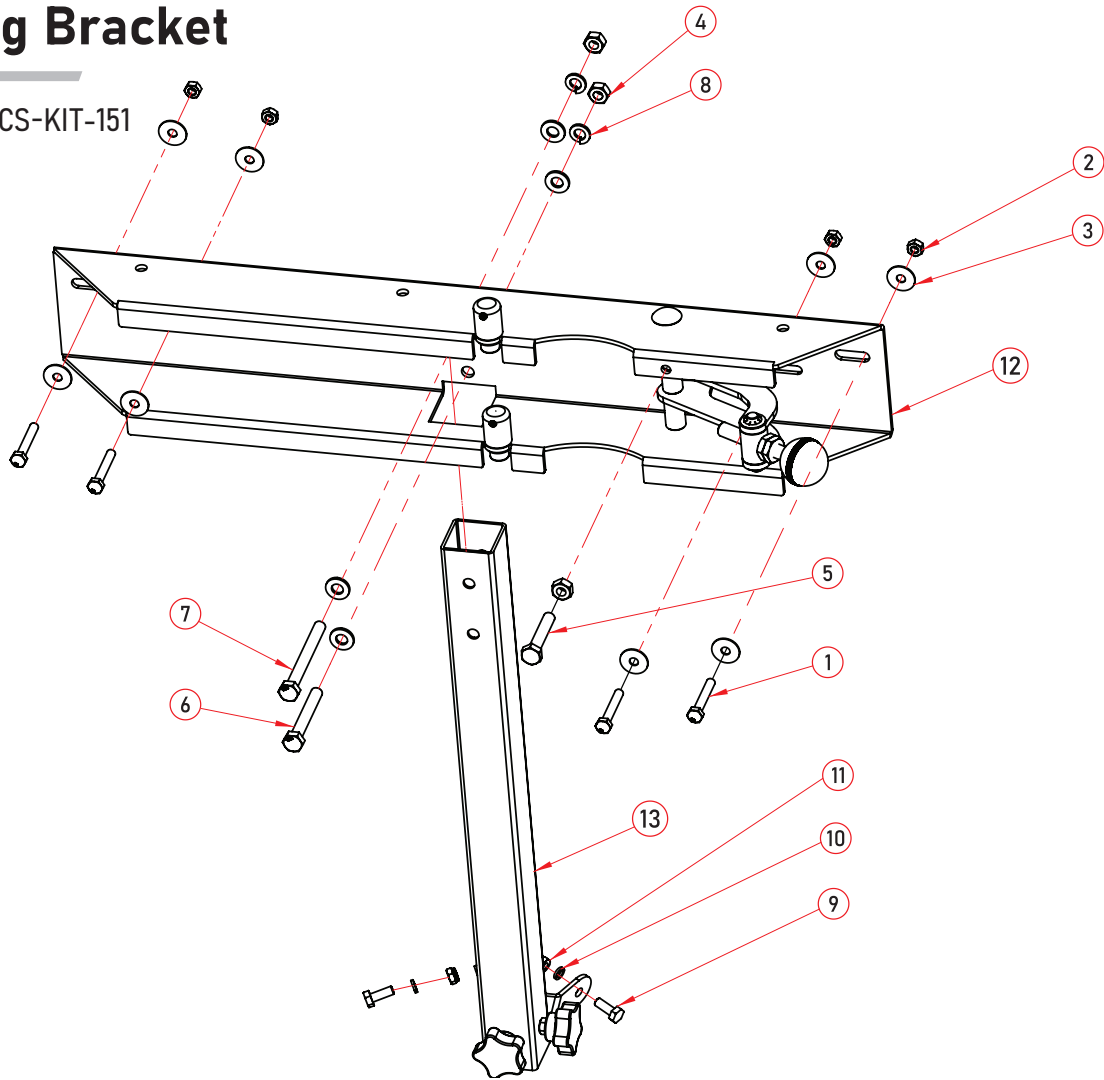


## BILL OF MATERIALS

ITEM NO.	DESCRIPTION	QTY
1	Handle, Lock, M6x1.0, Female, TSG-FDC	1
2	Bolt, M5x0.8, 16mm, Hex head, Silver Zinc	2
3	Nut, M5x0.8, Nylon Insert, Silver Zinc	2
4	Washer, M10, 20mm ODx2mm THK, Plastic	8
5	Washer, M5, Flat, 12mm ODx0.8mm THK, Silver Zinc	2
6	Bolt, M6x1.0, 55mm, Carriage Head, 8.8 Alloy, Silver Zinc	3
7	Bolt, M6x1.0, 16mm, Hex Head, Silver Zinc	2
8	Nut, M6x1.0, Nylon Insert, Silver Zinc	4
9	Washer, M6, Flat, 20mm ODx2.0 THK, Black Zinc	4

# Mounting Bracket

Part Number: PCS-KIT-151

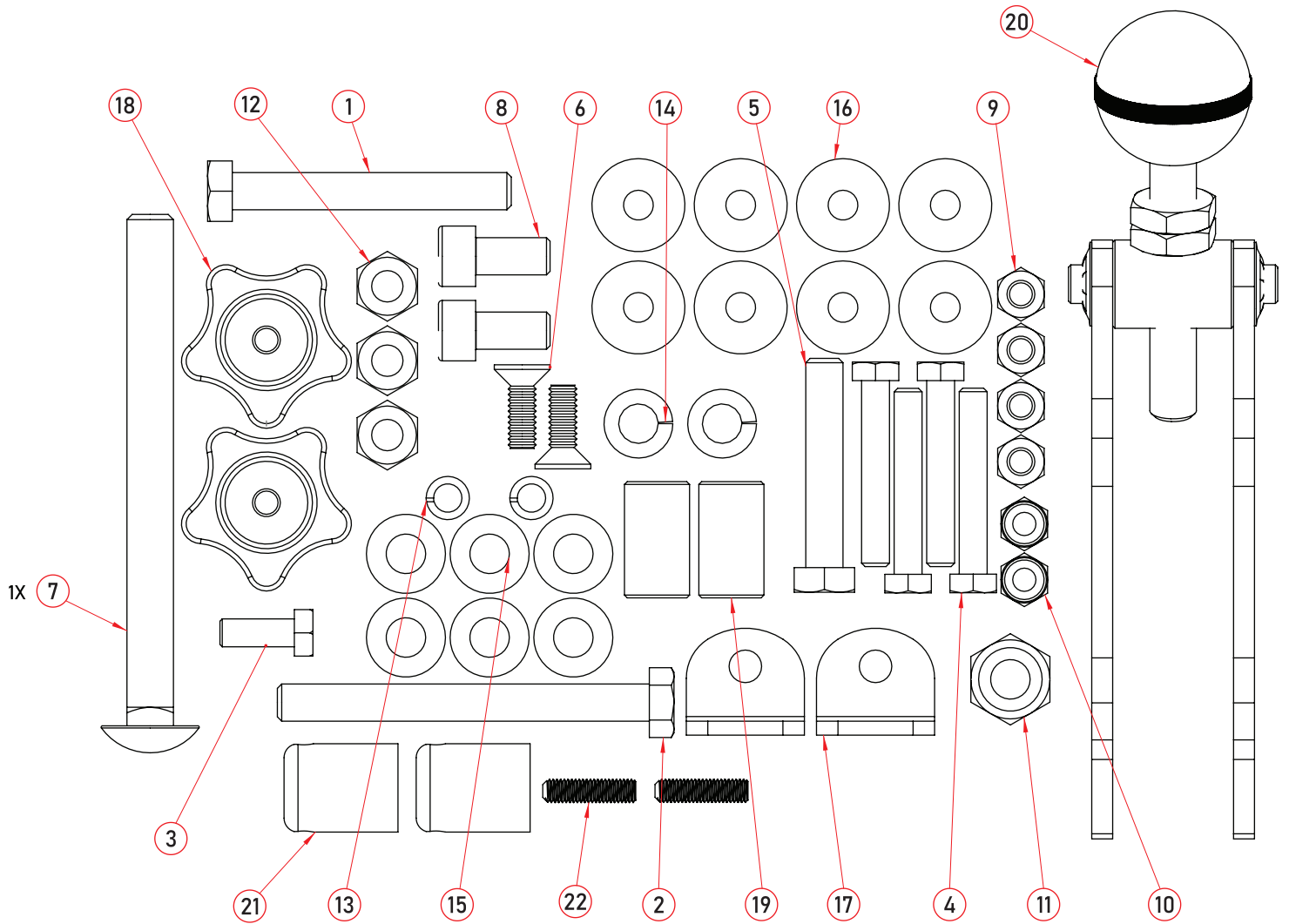


## BILL OF MATERIALS

ITEM NO.	DESCRIPTION	QTY
1	Bolt, M6x1.0, 40mm, Hex Head, Silver Zinc	4
2	Nut, M6x1.0, Silver Zinc	4
3	Washer, M6, Flat, 20mm ODx1mm THK, Silver Zinc	8
4	Nut, M8x1.25, Black Zinc	3
5	Bolt, M8x1.25, 45mm, Hex Head, Black Zinc	1
6	Bolt, M8x1.25, 60mm, Hex Head	1
7	Bolt, M8x1.25, 80mm, Hex Head	1
8	Washer, M8, Lock, Black Zinc	2
9	Bolt, M6x1.0, 16mm, Hex Head, Silver Zinc	2
10	Washer, M6, Lock, Silver Zinc	2
11	Nut, M6x1.0, Nylon Insert, Silver Zinc	2
12	Mounting Bracket Assembly	1
13	Upper Leg Assembly	1

# Mounting Bracket Hardware Kit

Part Number: PCS-KIT-152



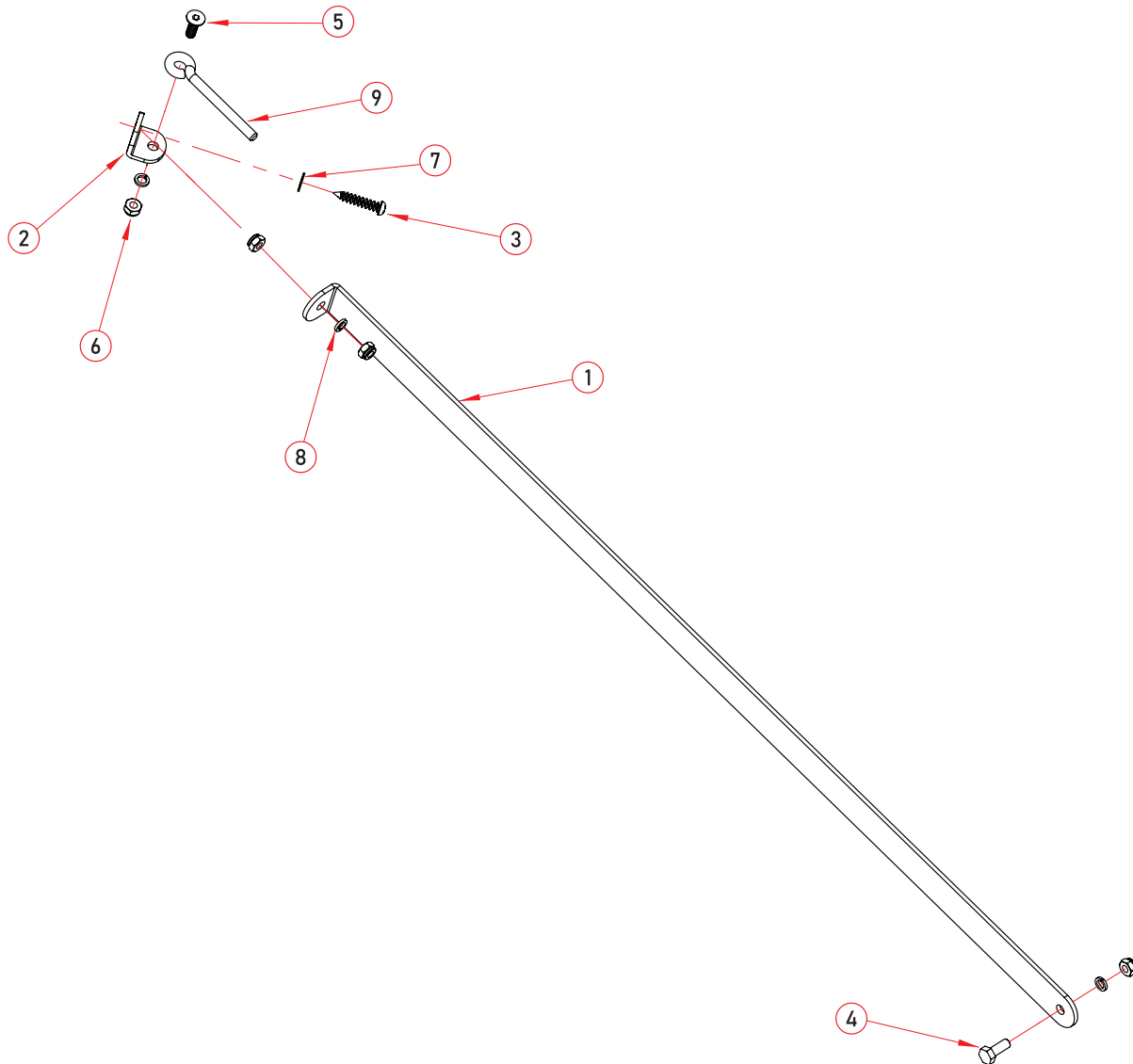
# Mounting Bracket Hardware Kit (cont.)

Part Number: PCS-KIT-152

BILL OF MATERIALS		
ITEM NO.	DESCRIPTION	QTY
1	Bolt, M8x1.25, 60mm, Hex Head	1
2	Bolt, M8x1.25, 80mm, Hex Head	1
3	Bolt, M6x1.0, 16mm, Hex Head, Silver Zinc	1
4	Bolt, M6x1.0, 40mm, Hex Head, Silver Zinc	4
5	Bolt, M8x1.25, 45mm, Hex Head, Black Zinc	1
6	Bolt, M6x1.0, 18mm, Flat Head, Socket, Black Zinc (UO)	2
7	Bolt, M10x1.5, 110mm, Carriage Head, Silver Zinc	1
8	Bolt, M8x1.25, 16mm, Socket Head Cap, Black Zinc	2
9	Nut, M6x1.0, Silver Zinc	4
10	Nut, M6x1.0, Nylon Insert, Silver Zinc	2
11	Nut, M10x1.5, Nylock, Silver Zinc	1
12	Nut, M8x1.25, Black Zinc	3
13	Washer, M6, Lock, Silver Zinc	2
14	Washer, M8, Lock, Black Zinc	2
15	Washer, M8xFlat, 17mm ODx2mm THK	6
16	Washer, M6, Flat, 20mm ODx1mm THK, Silver Zinc	8
17	Bracket, Mounting, Leg Support, TSG-FDC	2
18	Knob, Lock, Extension Leg, M6, TSG-FDC	2
19	Spacer, Dust Tube Pivot, 10mm IDx15mm ODx26mm, TSG-FDC	2
20	Lock Knob Assembly, Dust Tube, TSG-FDC	1
21	Pin, Bracket, Mounting, TSG-FDC	2
22	Set Screw, M5x0.8, 20mm, Socket Head, Black Zinc	2

# Support Leg

Part Number: PCS-KIT-153

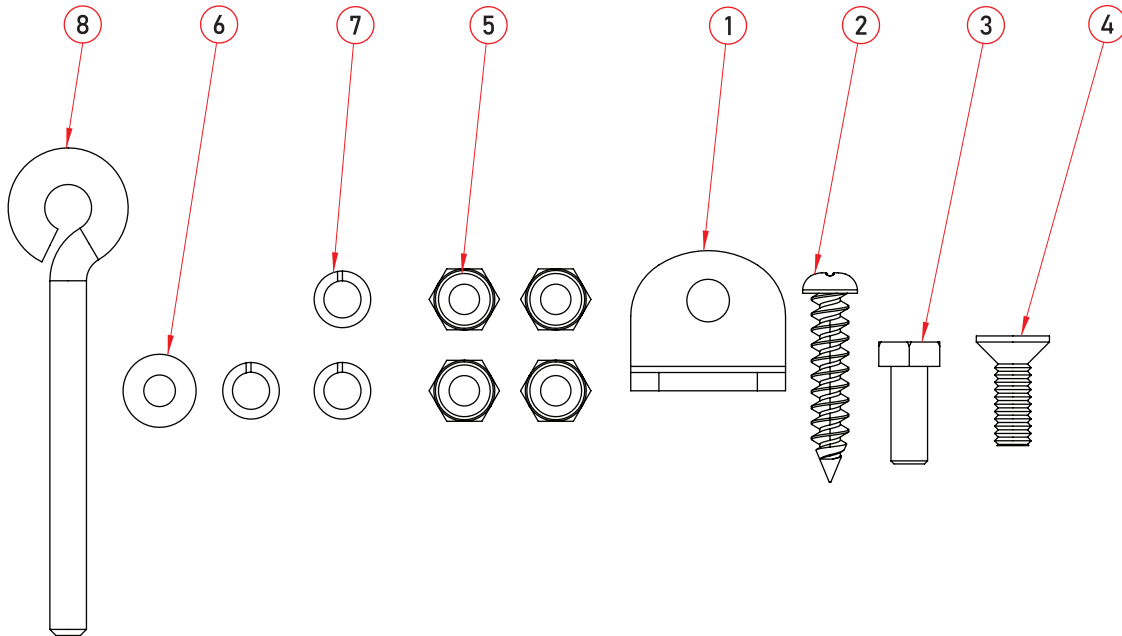


## BILL OF MATERIALS

ITEM NO.	DESCRIPTION	QTY
1	Bracket, Leg Support, TSG-FDC	1
2	Bracket, Mounting, Leg Support, TSG-FDC	1
3	Screw, M5x2.1, 32mm, Button Head, Phillips, Nickel	1
4	Bolt, M6x1.0, 16mm, Hex Head, Silver Zinc	1
5	Bolt, M6x1.0, 18mm, Flat Head, Socket, Black Zinc (Uo)	1
6	Nut, M6x1.0, Nylon Insert, Silver Zinc	4
7	Washer, M5, Flat, 12mm ODx0.8mm THK, Silver Zinc	1
8	Washer, M6, Lock, Silver Zinc	3
9	Eye Bolt, 10.5mm ID, M6x1.0, 80mm, Silver Zinc	1

# Support Leg Hardware Kit

Part Number: PCS-KIT-154

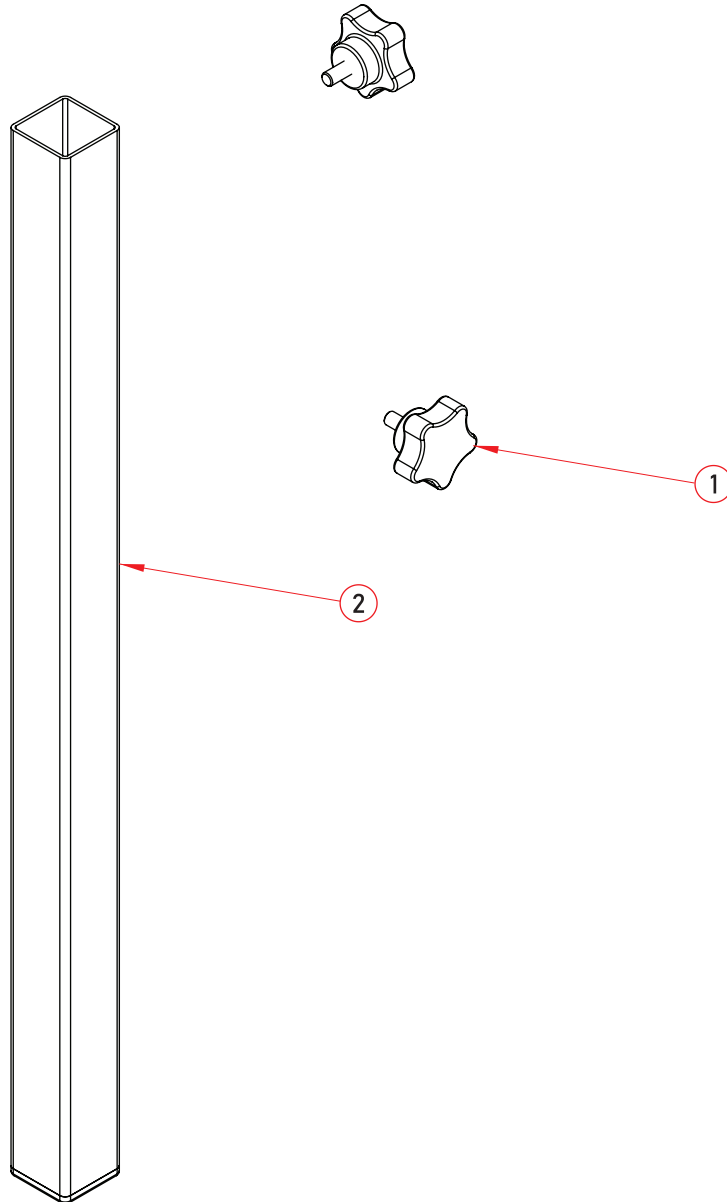


## BILL OF MATERIALS

ITEM NO.	DESCRIPTION	QTY
1	Bracket, Mounting, Leg Support, TSG-FDC	1
2	Screw, M5x2.1, 32mm, Button Head, Phillips, Nickel	1
3	Bolt, M6x1.0, 16mm, Hex Head, Silver Zinc	1
4	Bolt, M6x1.0, 18mm, Flat Head, Socket, Black Zinc (Uo)	1
5	Nut, M6x1.0, Nylon Insert, Silver Zinc	4
6	Washer, M5, Flat, 12mm ODx0.8mm THK, Silver Zinc	1
7	Washer, M6, Lock, Silver Zinc	3
8	Eye Bolt, 10.5mm ID, M6x1.0, 80mm, Silver Zinc	1

# Extension Leg

Part Number: PCS-KIT-155

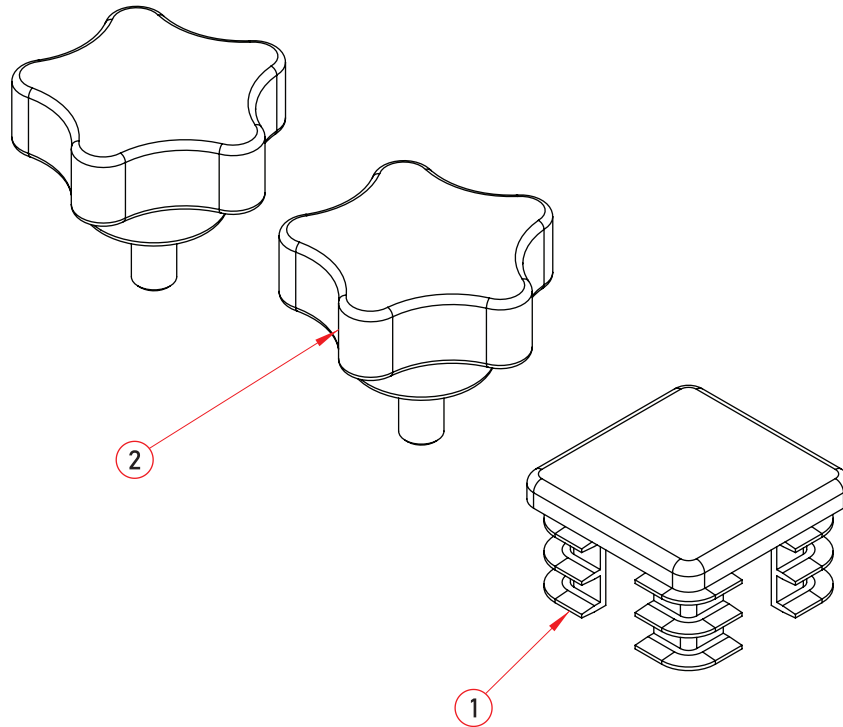


BILL OF MATERIALS		
ITEM NO.	DESCRIPTION	QTY
1	Knob, Lock, Extension Leg, M6, TSG-FDC	2
2	Extension Leg Assembly	1



# Extension Leg Hardware Kit

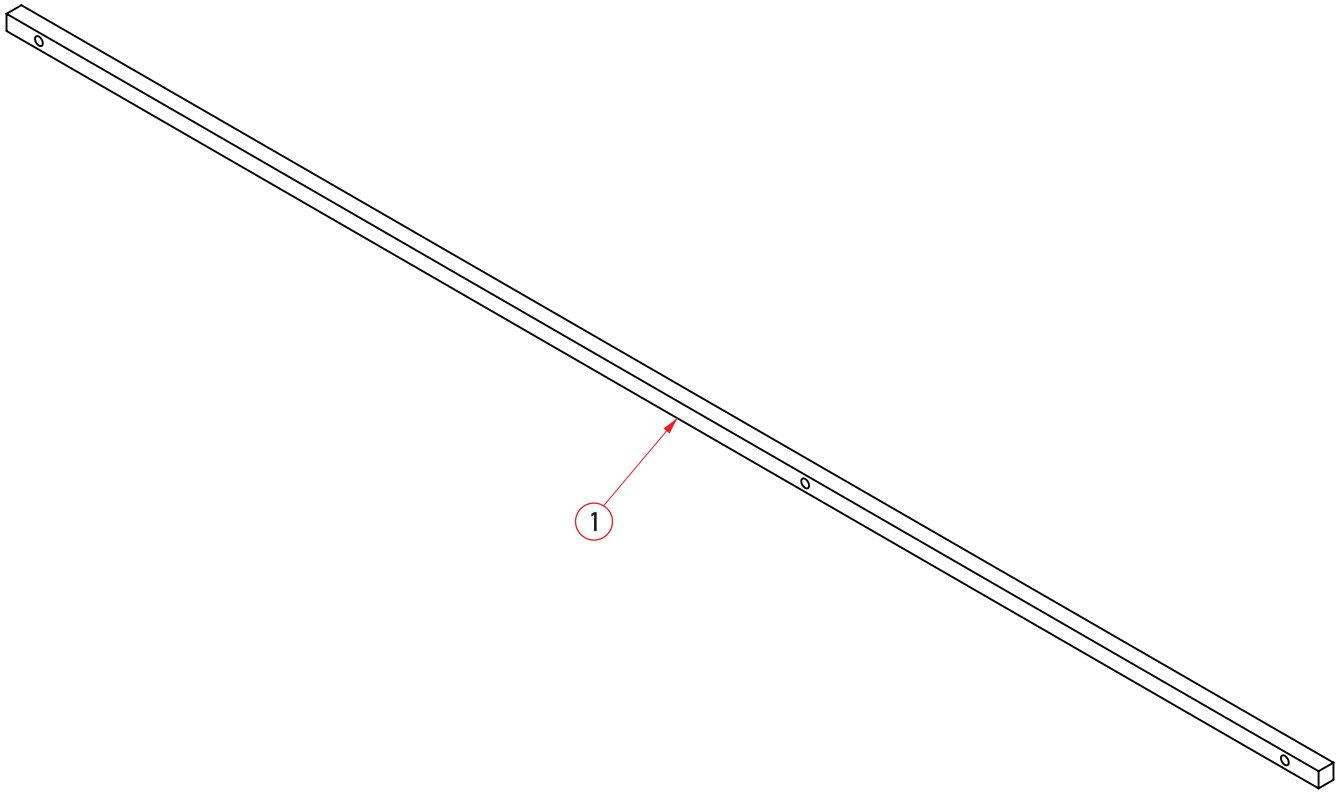
Part Number: PCS-KIT-156



BILL OF MATERIALS		
ITEM NO.	DESCRIPTION	QTY
1	End Cap, Leg, TSG-FDC	1
2	Knob, Lock, Extension Leg, M6, TSG-FDC	2

# Dust Tube Guide Bar

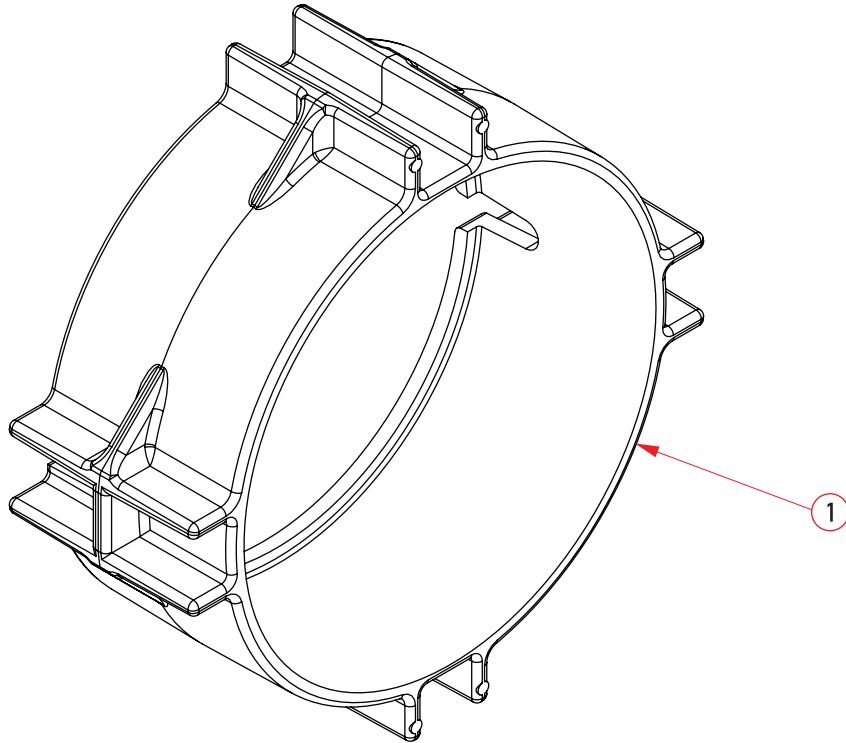
Part Number: PCS-KIT-157



BILL OF MATERIALS		
ITEM NO.	DESCRIPTION	QTY
1	Bar, Guide, Dust Tube, Split, TSG-FDC	1

# Dust Tube Guide Sleeve

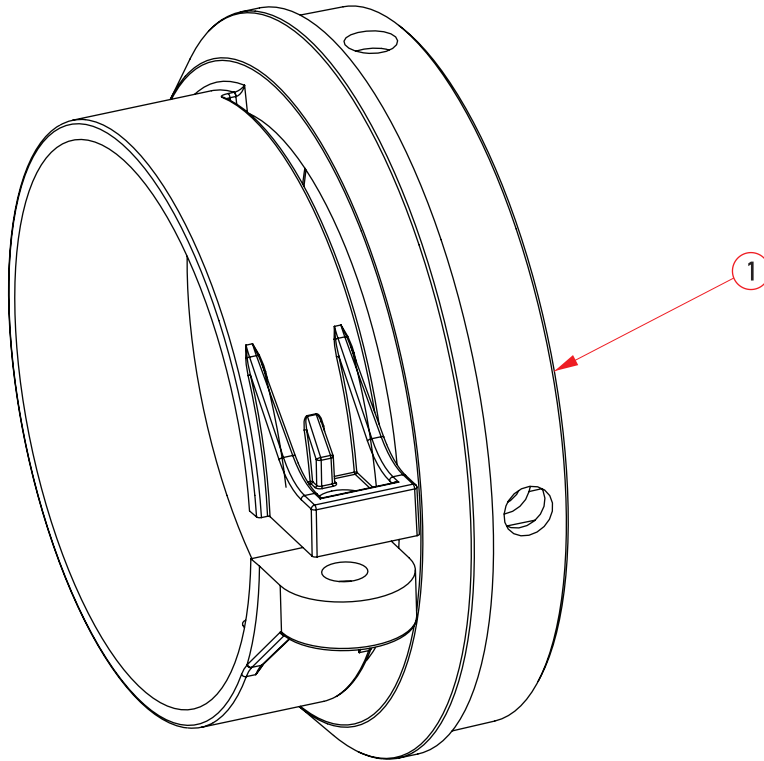
Part Number: PCS-KIT-158



BILL OF MATERIALS		
ITEM NO.	DESCRIPTION	QTY
1	Guide Sleeve, Dust Tube, Split, TSG-FDC	1

# Dust Tube Outer Sleeve

Part Number: PCS-KIT-159

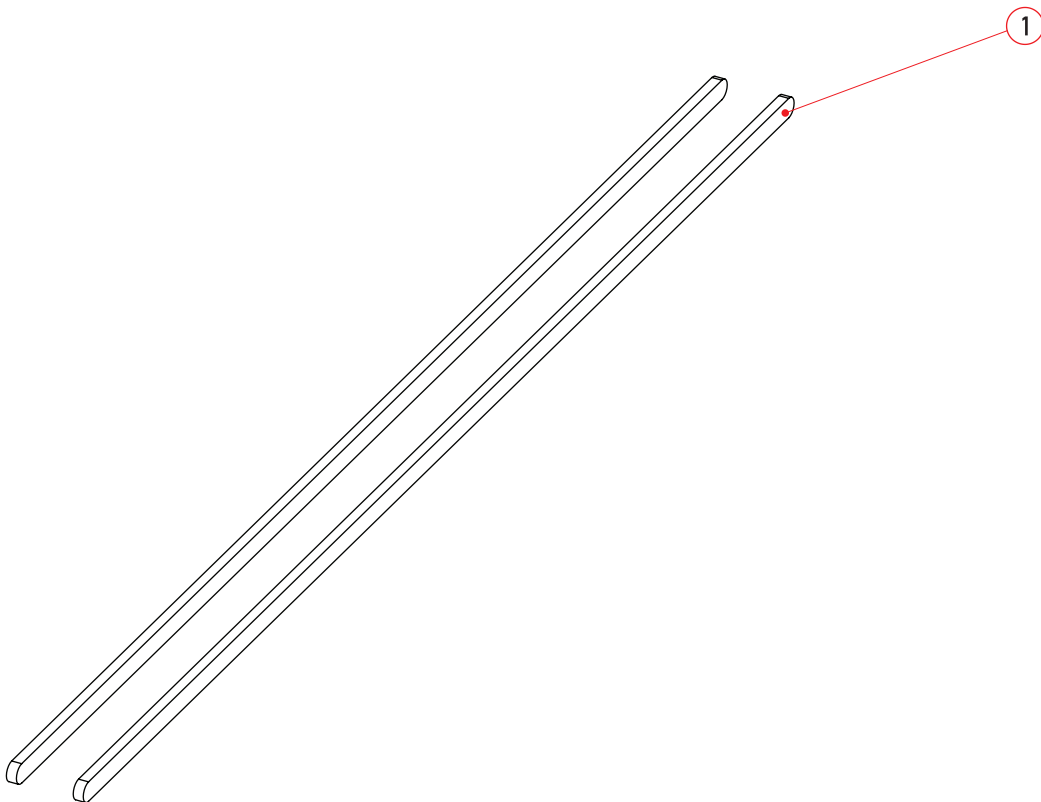


## BILL OF MATERIALS

ITEM NO.	DESCRIPTION	QTY
1	Sleeve Clamp, Dust Tube, Outer, TSG-FDC-CE	1

# Guard Ribs

Part Number: PCS-KIT-160



BILL OF MATERIALS		
ITEM NO.	DESCRIPTION	QTY
1	Rib, Floating Guard, TSG-FDC	2

# 132mm Table Roller

Part Number: PCS-KIT-135



## BILL OF MATERIALS

ITEM NO.	DESCRIPTION	QTY
1	Sleeve, Support, Table Roller, 132mm, TSA-FOT	1
2	Bushing, Support, Rollers, TSA-FOT	2
3	Nut, M6x1.0, Nylon Insert, Black Zinc	2
4	Bearing, Ball, 6mm ID, 17mm OD	2
5	Washer, M6, Flat, 10mm ODx1mm THK, Black Zinc	4
6	Washer, M6, Flat, 16mm ODx1mm THK, Black Zinc	2
7	Bolt, M6x1.0, 45mm, Partially Threaded, Socket Head Cap, Black Zinc	2

# 170mm Table Roller

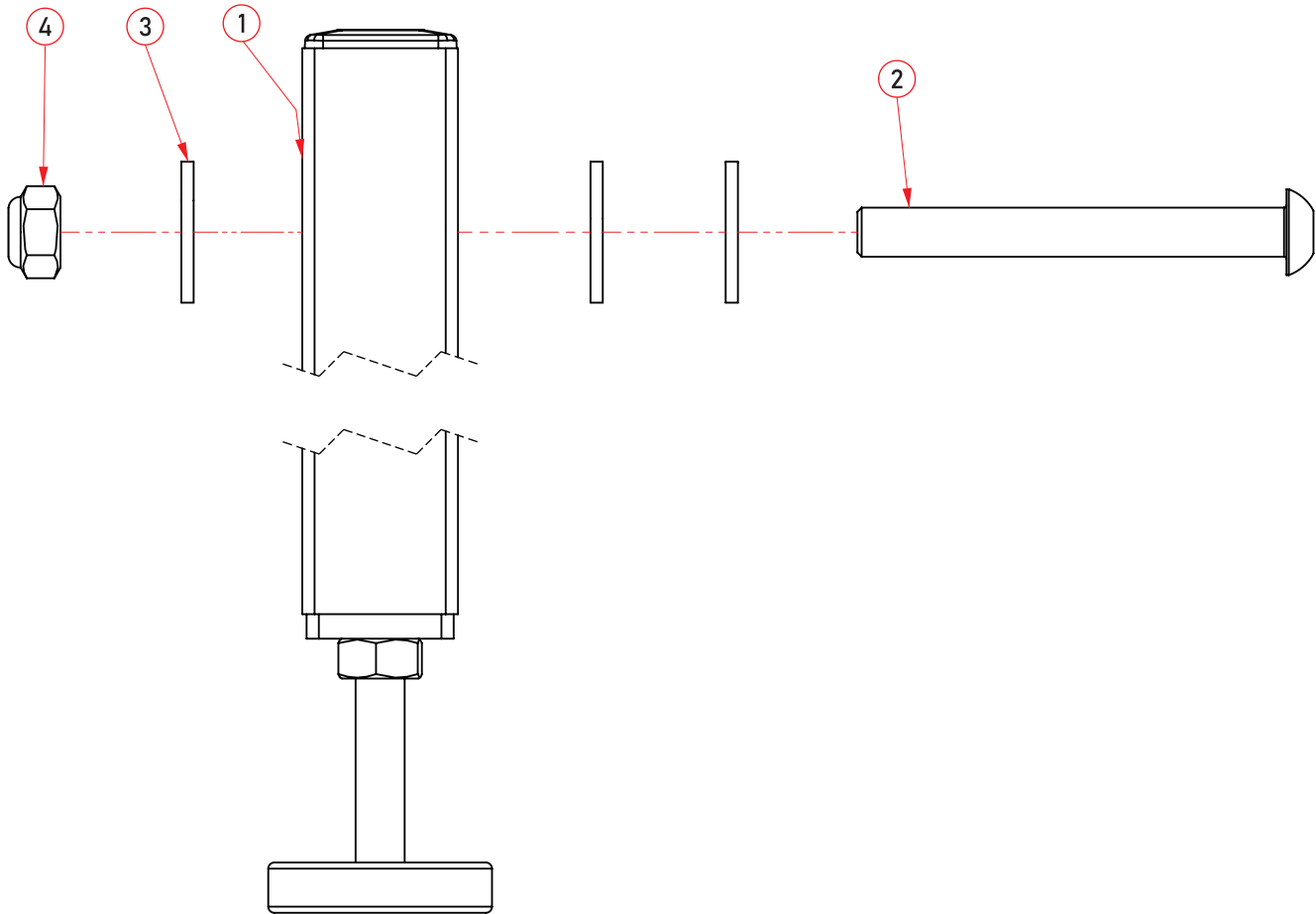
Part Number: PCS-KIT-136



BILL OF MATERIALS		
ITEM NO.	DESCRIPTION	QTY
1	Sleeve, Support, Table Roller, 169.5mm, TSA-FOT	1
2	Bushing, Support, Rollers, TSA-FOT	2
3	Nut, M6x1.0, Nylon Insert, Black Zinc	2
4	Bearing, Ball, 6mm ID, 17mm OD	2
5	Washer, M6, Flat, 10mm ODx1mm THK, Black Zinc	4
6	Washer, M6, Flat, 16mm ODx1mm THK, Black Zinc	2
7	Bolt, M6x1.0, 45mm, Partially Threaded, Socket Head Cap, Black Zinc	2

# Leg Replacement

Part Number: PCS-KIT-137

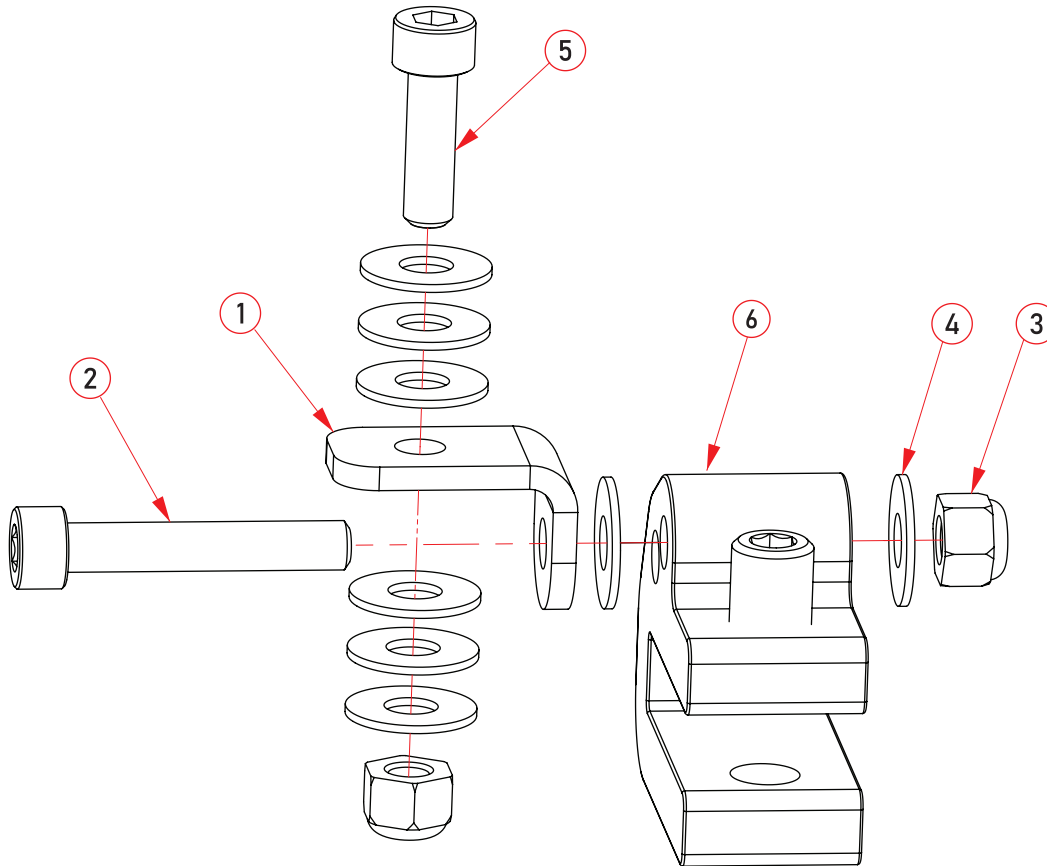


## BILL OF MATERIALS

ITEM NO.	DESCRIPTION	QTY
1	Leg Support Assembly, Table, TSA-F0T	1
2	Bolt, M8x1.25, 70mm, Button Head, Socket, Black Zinc	1
3	Washer, M8, Flat, 23mm ODx2mm THK	3
4	Nut, M8x1.25, Nylon Insert, Black Zinc	1

# Rail Clamp

Part Number: PCS-KIT-138



## BILL OF MATERIALS

ITEM NO.	DESCRIPTION	QTY
1	Bracket, Mounting, Clamp, TSA-FOT	1
2	Bolt, M6x1.0, 35mm, Socket Head Cap, Black Zinc	1
3	Nut, M6x1.0, Nylon Insert, Black Oxide	2
4	Washer, M6, Flat, 16mm ODx1mm THK, Black Zinc	8
5	Bolt, M6x1.0, 20mm, Socket Head Cap	1
6	Rail Clamp Assembly	1

# Documentation

Part Number: PCS-KIT-139 (English)

PCS-KIT-140 (German)

PCS-KIT-141 (Spanish)

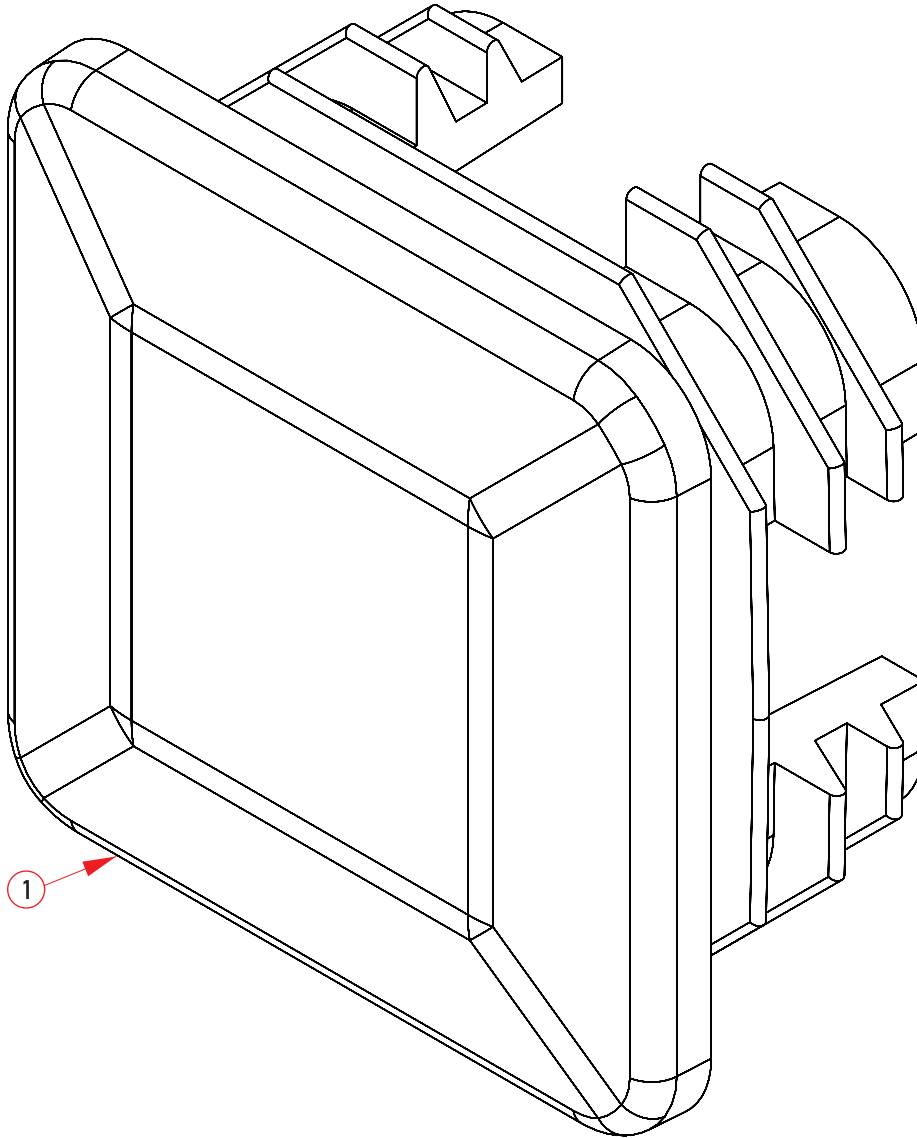
PCS-KIT-142 (French)



BILL OF MATERIALS		
ITEM NO.	DESCRIPTION	QTY
1	Folding Outfeed Table Owner's Manual	1

# End Cap

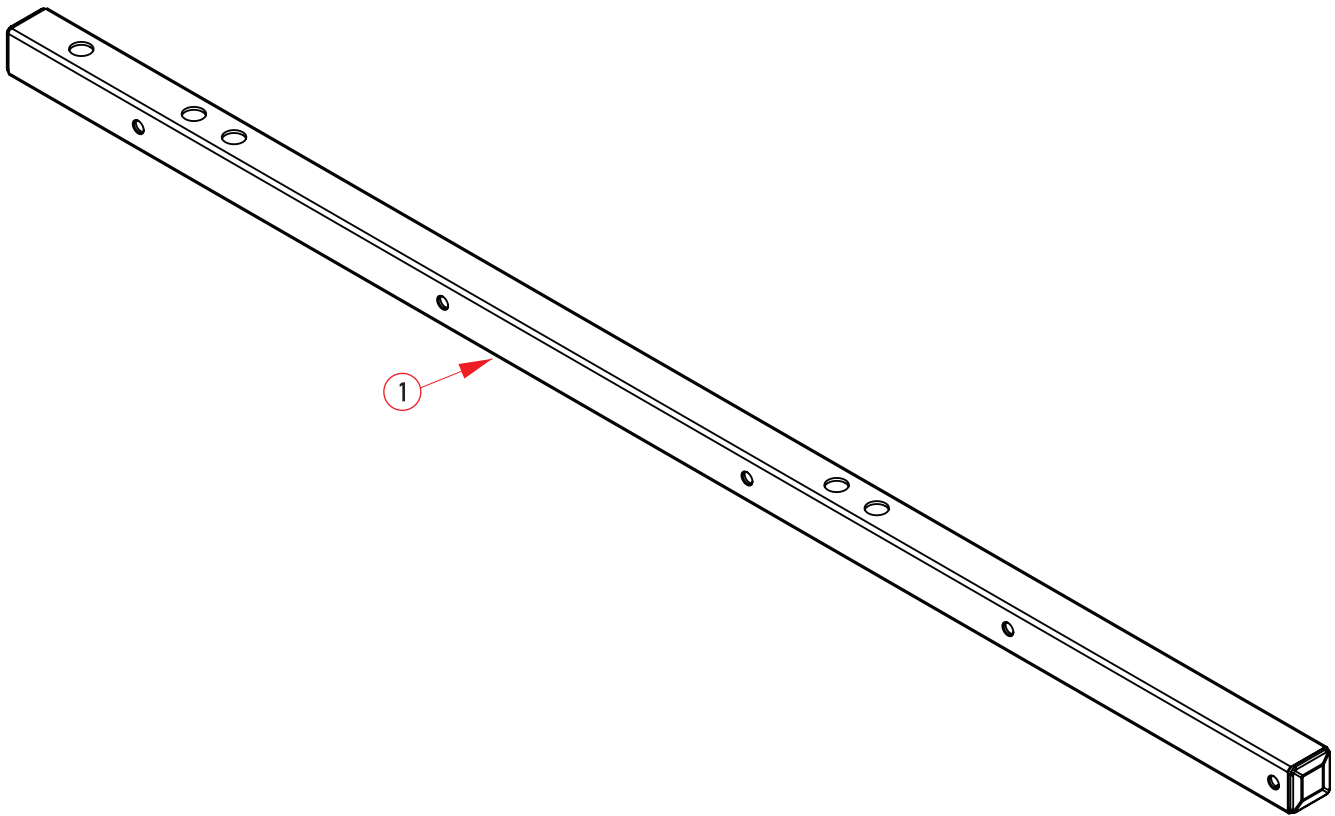
Part Number: PCS-KIT-143



BILL OF MATERIALS		
ITEM NO.	DESCRIPTION	QTY
1	End Cap, TSA-FOT	1

# Table Tube

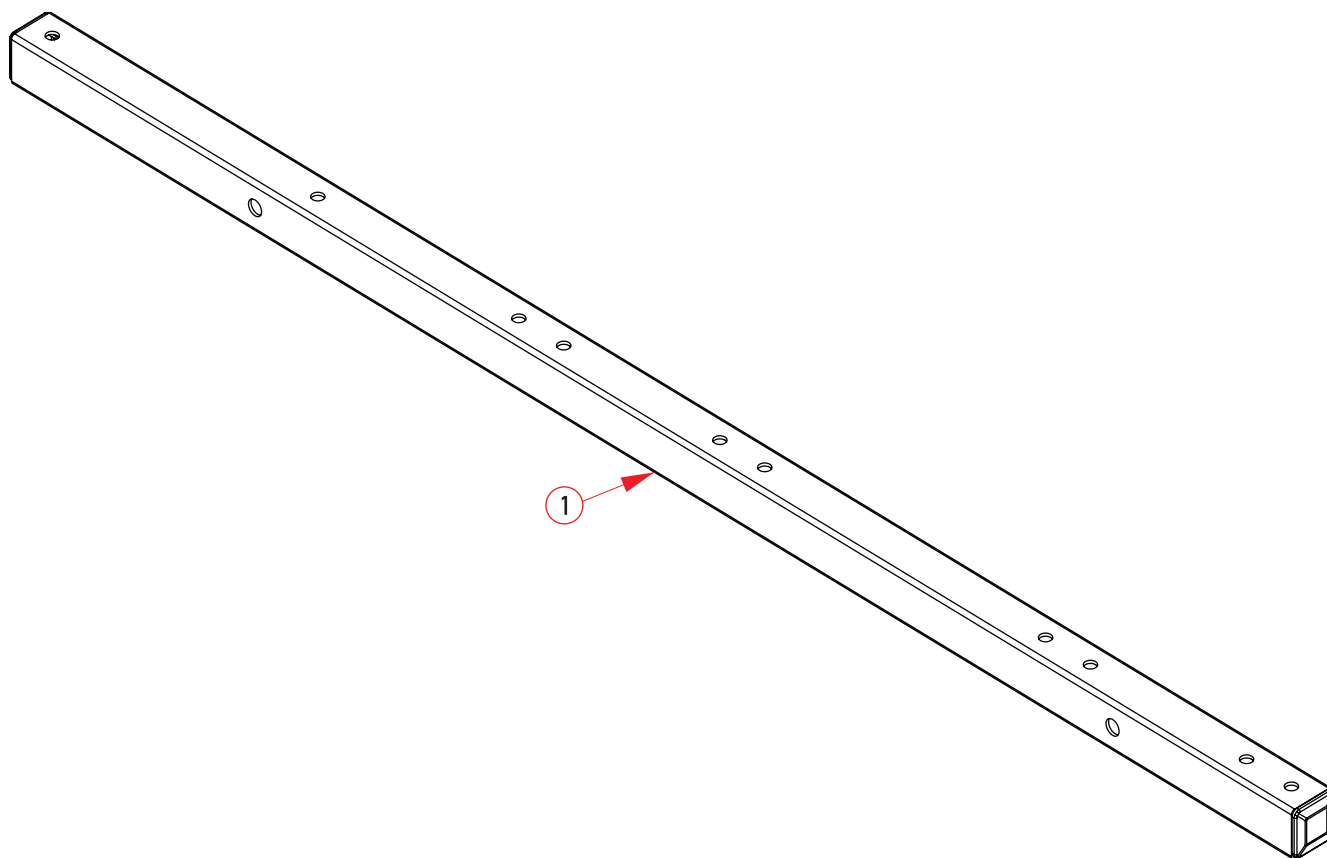
Part Number: PCS-KIT-144



BILL OF MATERIALS		
ITEM NO.	DESCRIPTION	QTY
1	Tube, Table, TSA-FOT	1

# Table Support Tube

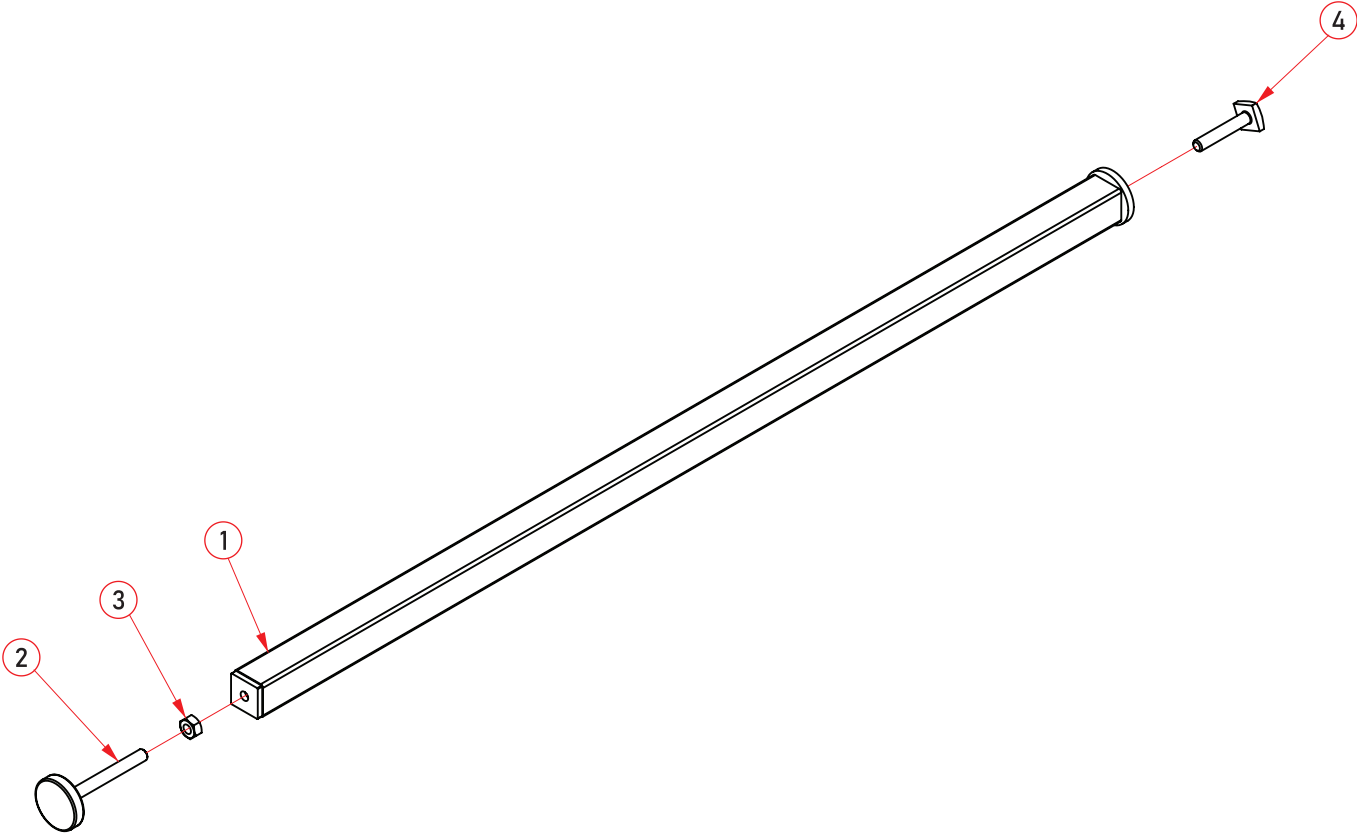
Part Number: PCS-KIT-145



BILL OF MATERIALS		
ITEM NO.	DESCRIPTION	QTY
1	Support Tube, Table, TSA-FOT	1

# Support Leg

Part Number: PCS-KIT-122

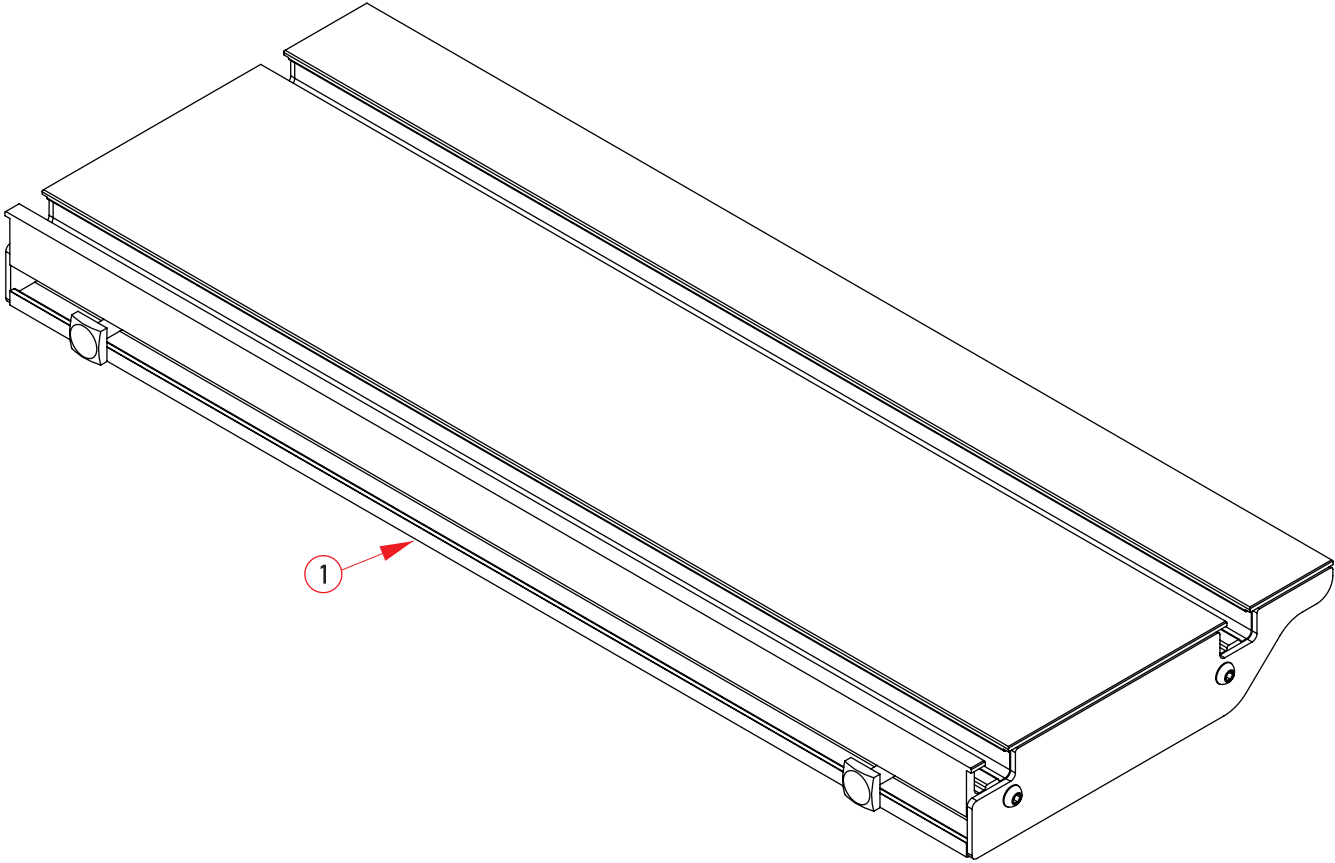


BILL OF MATERIALS		
ITEM NO.	DESCRIPTION	QTY
1	Leg, Support, TSA-SA48	1
2	Foot, Leveling, M8x1.25, 76.5mm	1
3	Nut, M8x1.25, 13mm, Hex	1
4	T-Bolt, M8x1.25, 45mm	1



# Extension Wing for SA48 Sliding Table

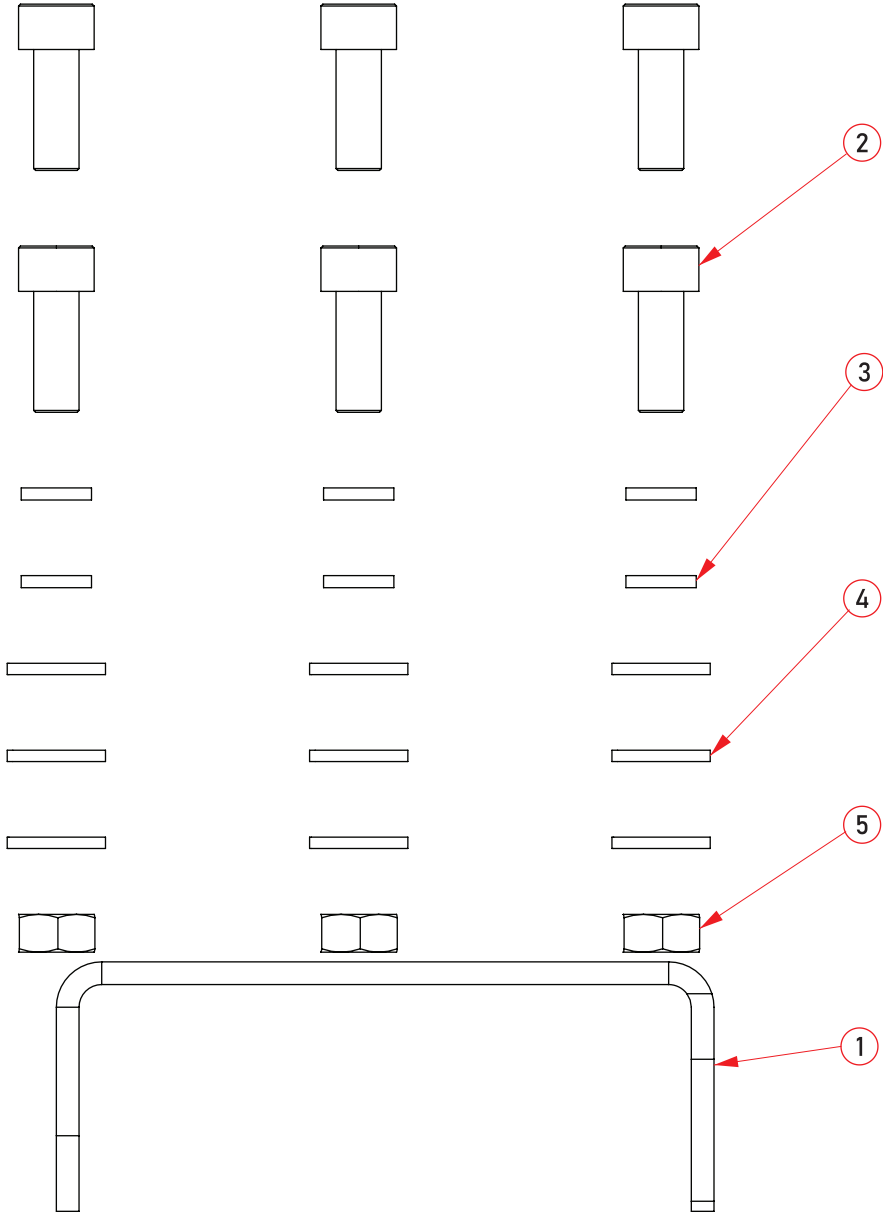
Part Number: PCS-KIT-123



BILL OF MATERIALS		
ITEM NO.	DESCRIPTION	QTY
1	Sliding Table Extension Wing	1

# Switch Box Bracket

Part Number: PCS-KIT-124

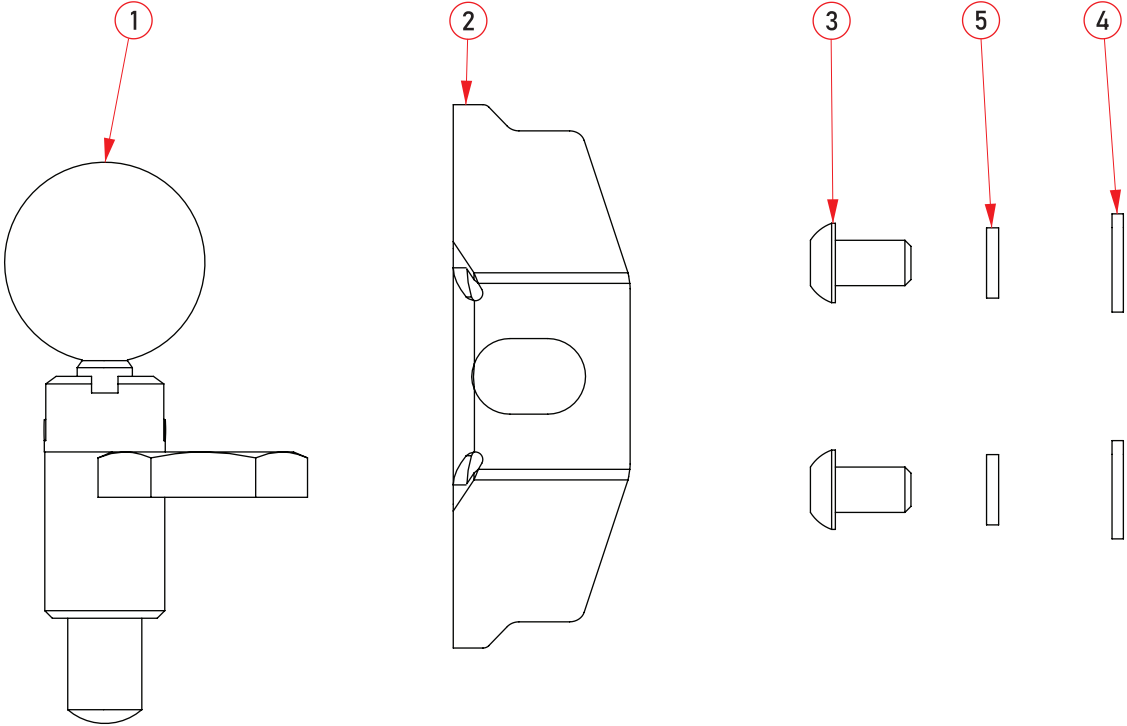


BILL OF MATERIALS		
ITEM NO.	DESCRIPTION	QTY
1	Bracket, Mounting, Switch Box, TSA-SA48	1
2	Bolt, M6x1.0, 16mm, Socket Head Cap, Black Zinc	6
3	Washer, M6, Lock, Silver Zinc	6
4	Washer, M6, Flat, 13mm ODx1.5mm THK, Silver Zinc	9
5	Nut, M6x1.0, Silver Zinc	3



# Sliding Table Lock

Part Number: PCS-KIT-125

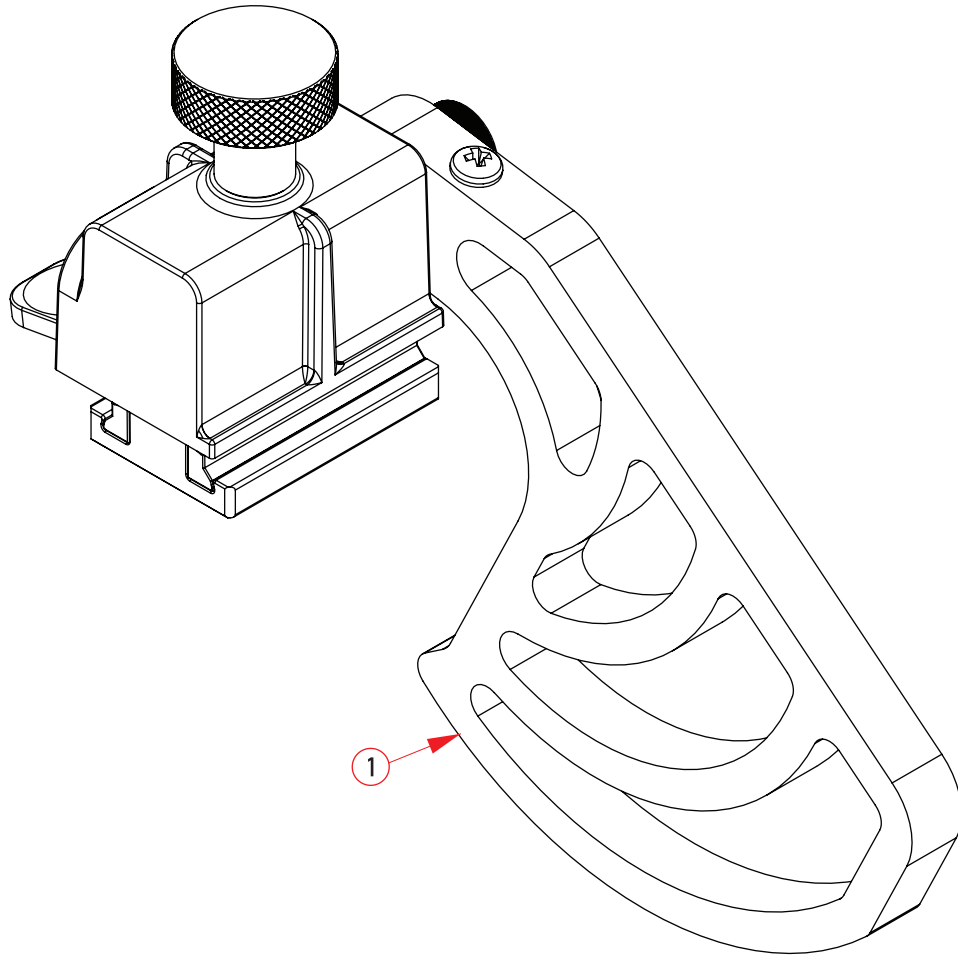


BILL OF MATERIALS		
ITEM NO.	DESCRIPTION	QTY
1	Knob, Sliding Table, Lock, TSA-SA48	1
2	Limit Block, Sliding Table, TSA-48	1
3	Bolt, M6x1.0, 10mm, Button Head, Socket	2
4	Washer, M6, Flat, 13mm ODx1.5mm THK, Silver Zinc	2
5	Washer, M6, Lock, Silver Zinc	2



# Flip Stop

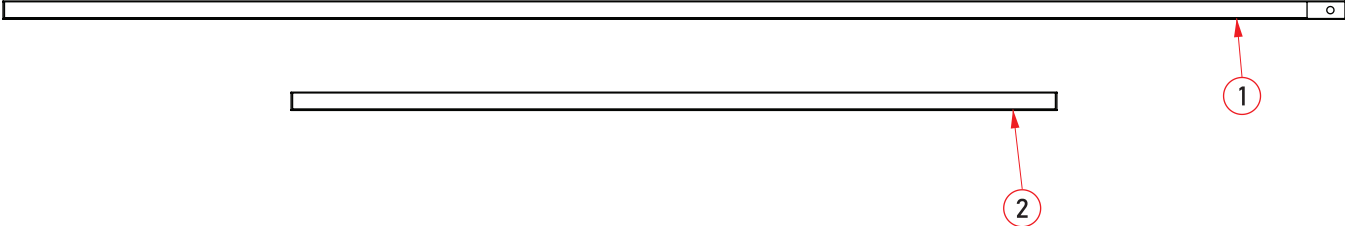
Part Number: PCS-KIT-126



BILL OF MATERIALS		
ITEM NO.	DESCRIPTION	QTY
1	Sliding Table Flip Stop	1

# Ruler

Part Number: PCS-KIT-127

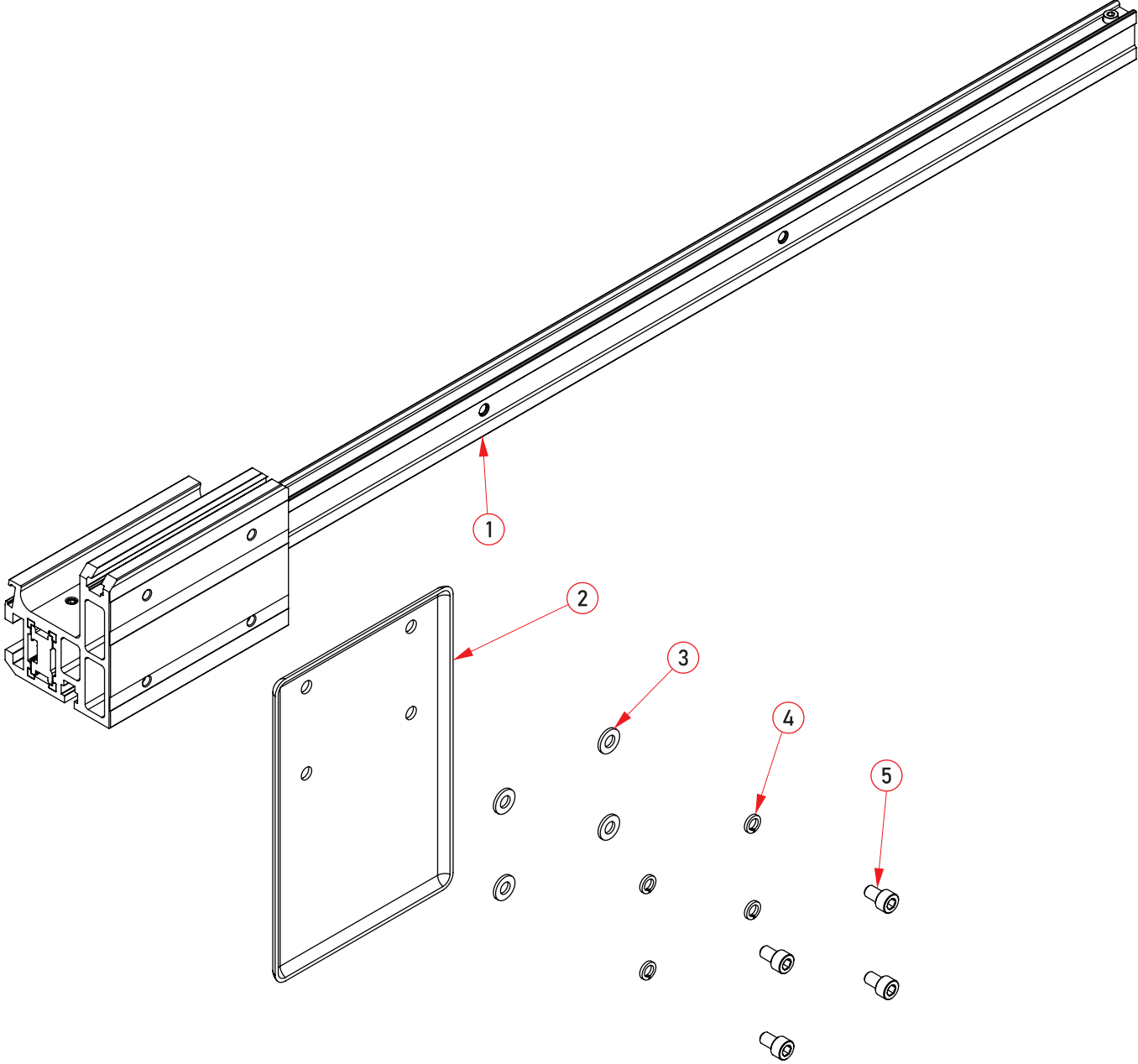


BILL OF MATERIALS		
ITEM NO.	DESCRIPTION	QTY
1	Ruler, Crosscut Fence, Assembly, TSA-SA48	1
2	Ruler, Extension, Crosscut Fence, Assembly, TSA-SA48	1



# Extension Support

Part Number: PCS-KIT-128

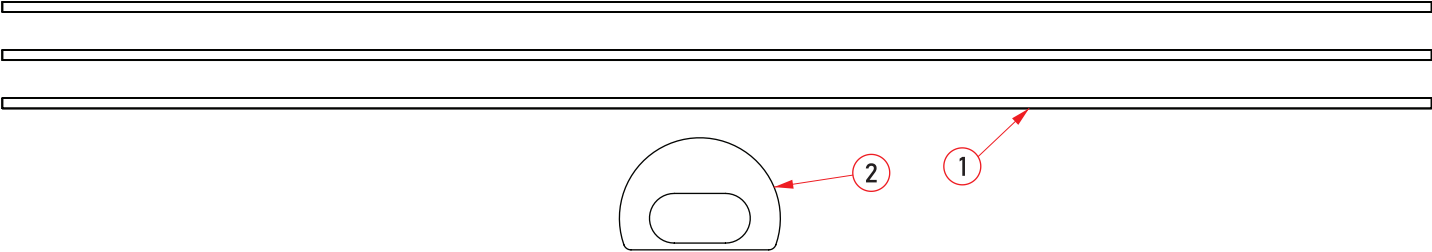


BILL OF MATERIALS		
ITEM NO.	DESCRIPTION	QTY
1	Fence, Extension, Crosscut, Assembly, TSA-SA48	1
2	Plate Support, Extension, Fence Crosscut, TSA-SA48	1
3	Washer, M6, Flat, 13mm ODx1.5mm THK, Silver Zinc	4
4	Washer, M6, Lock, Silver Zinc	4
5	Bolt, M6x1.0, 10mm, Socket Head Cap, Black Zinc	4



# Glide Pad Replacement

Part Number: PCS-KIT-129

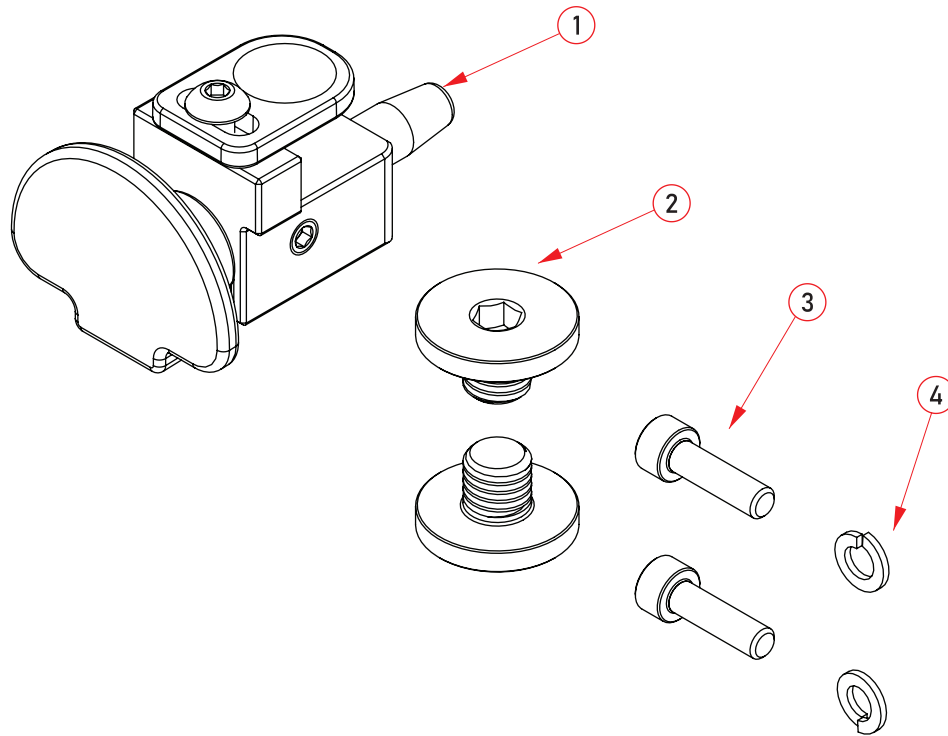


BILL OF MATERIALS		
ITEM NO.	DESCRIPTION	QTY
1	Pad, Glide, Crosscut Fence, TSA-SA48	1
2	Pad, Glide, Round, Miter Gauge, TSA-SA48	1



# Miter Head Lock

Part Number: PCS-KIT-130

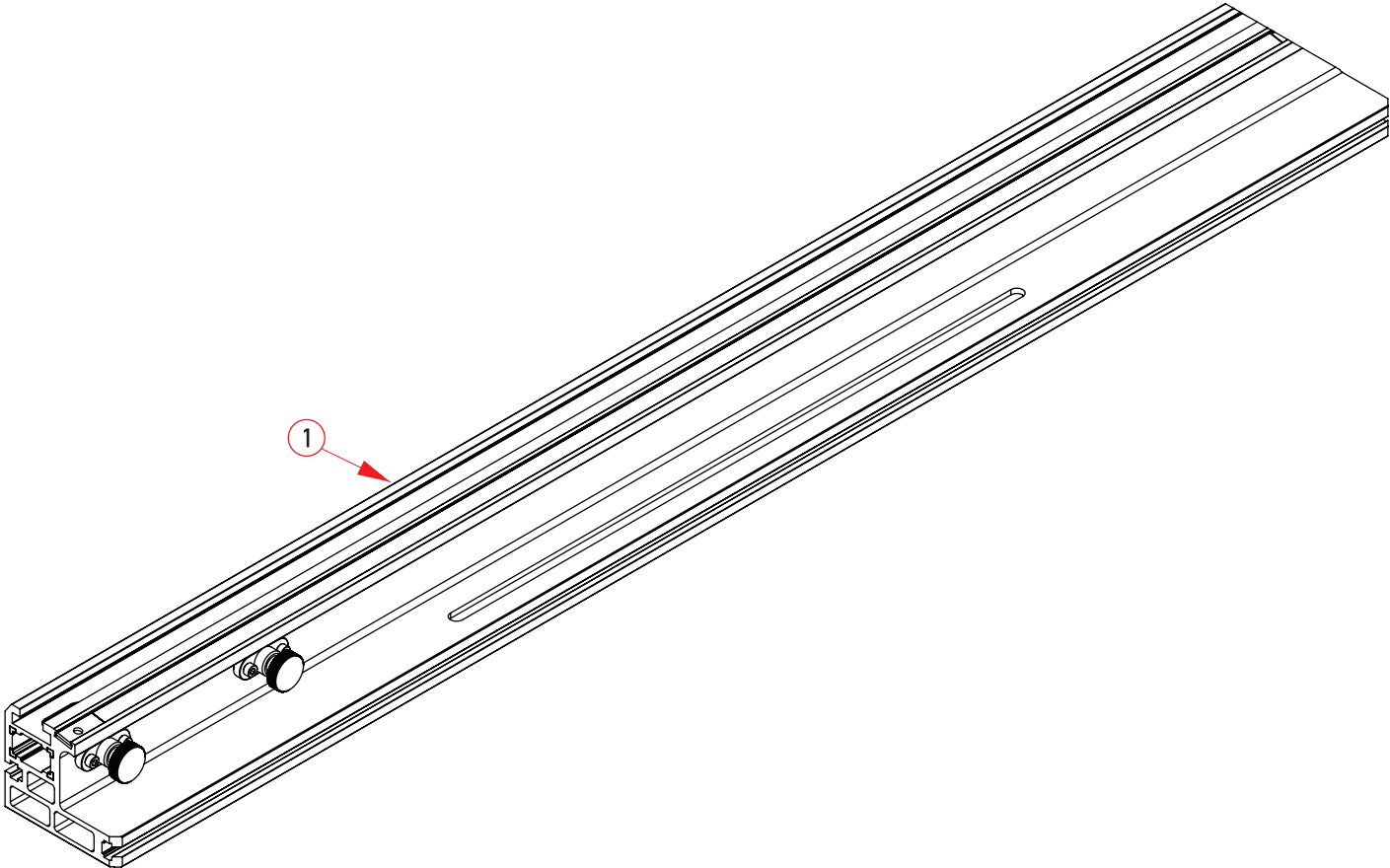


## BILL OF MATERIALS

ITEM NO.	DESCRIPTION	QTY
1	Button, Lock, Miter Gauge, TSA-SA48	1
2	Bolt, M8x1.25, 8mm, Bar, Miter Gauge, Custom	2
3	Bolt, M4x0.7x14mm, Socket Head, Hex, Black Zinc	2
4	Washer, M4, 0.9 THK Lock, Silver Zinc	2

# Main Fence Assembly

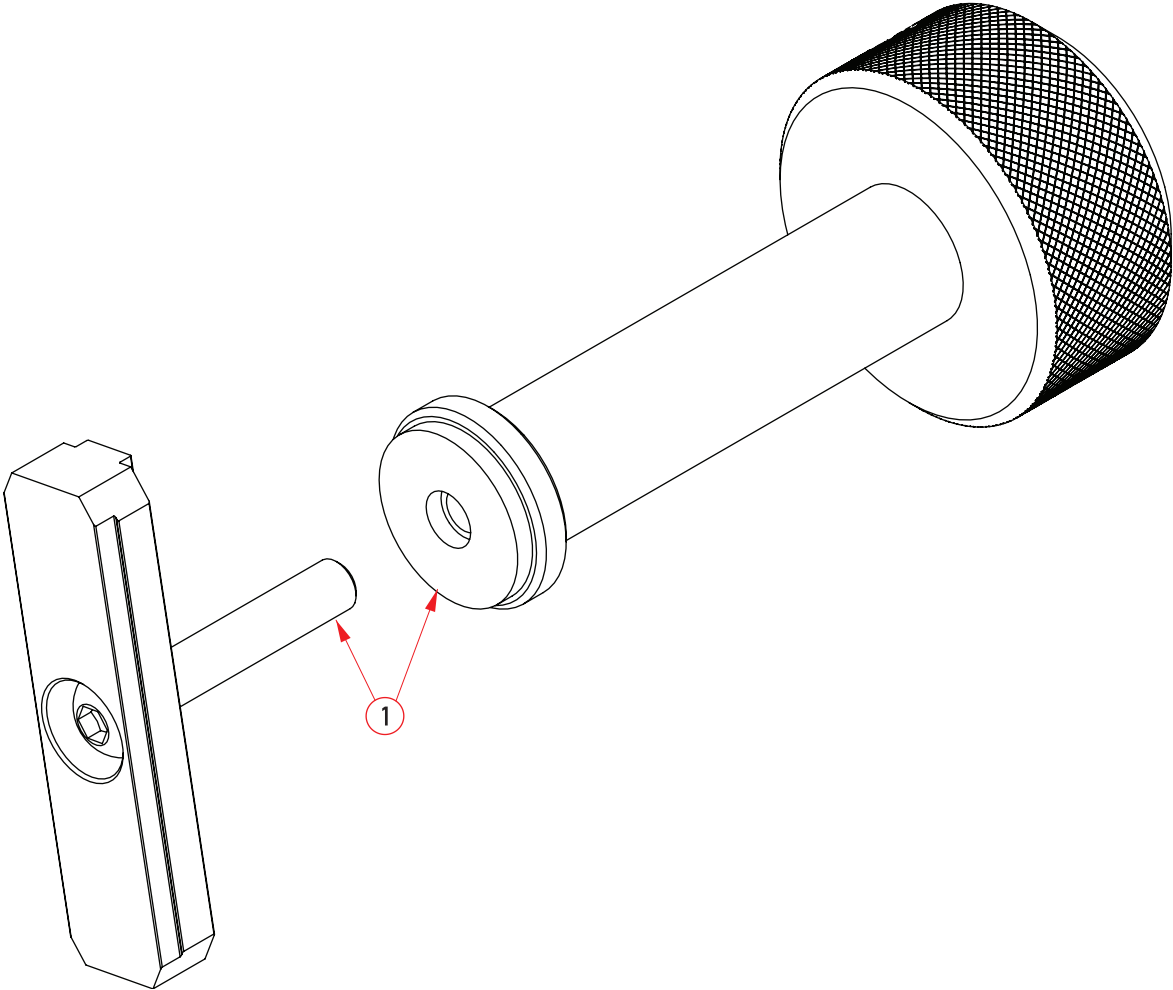
Part Number: PCS-KIT-131



BILL OF MATERIALS		
ITEM NO.	DESCRIPTION	QTY
1	Sliding Table Main Fence Assembly	1

# Fence Lock Knob

Part Number: PCS-KIT-132

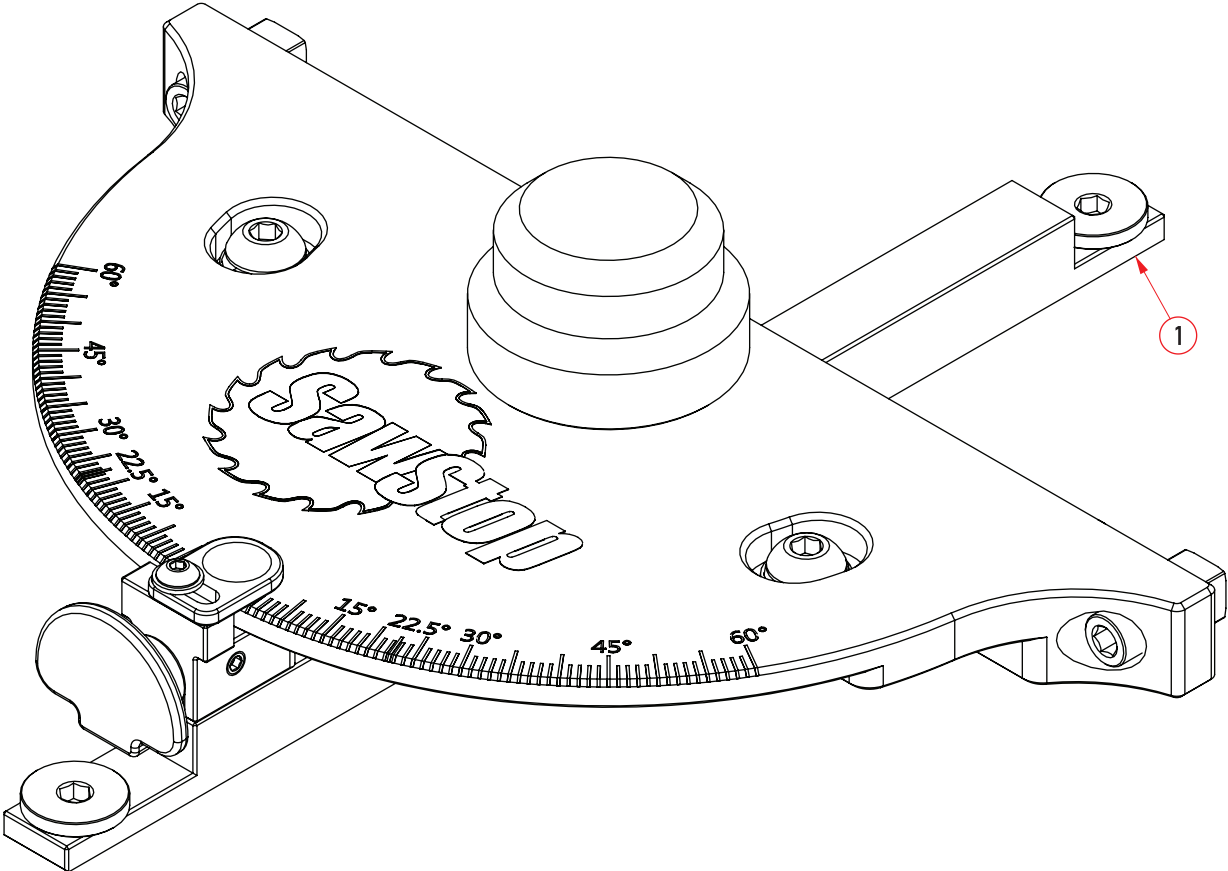


BILL OF MATERIALS		
ITEM NO.	DESCRIPTION	QTY
1	Knob Lock, Crosscut Fence, Assembly, TSA-SA48	1



# Miter Gauge Head

Part Number: PCS-KIT-133

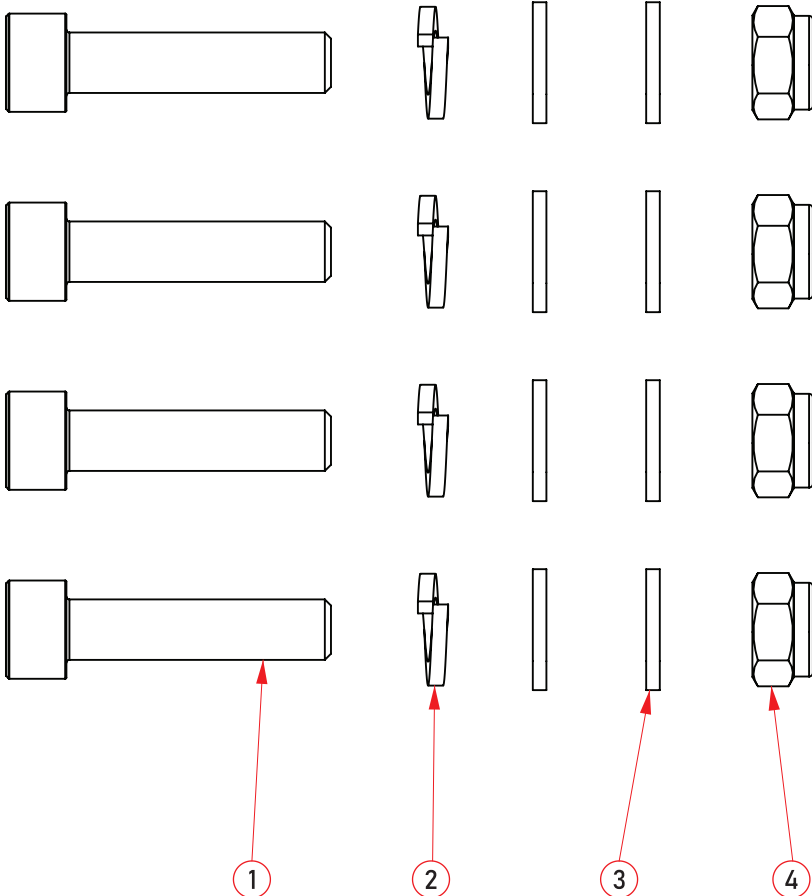


BILL OF MATERIALS		
ITEM NO.	DESCRIPTION	QTY
1	Miter Gauge, Bar, Assembly, TSA-SA48	1



# Hardware Kit

Part Number: PCS-KIT-134



BILL OF MATERIALS		
ITEM NO.	DESCRIPTION	QTY
1	Bolt, M8x1.25x35mm, Socket Head, Hex, Black Zinc	4
2	Washer, M8 2THK, Lock, Silver Zinc	4
3	Washer, M8, Flat, 16mm ODx1.8mm THK, Silver Zinc	8
4	Nut, M8x1.25, Nylon Insert, Silver Zinc	4





## **USA/CANADA**

### **SawStop, LLC**

11555 SW Myslony St,  
Tualatin, OR 97062 USA

### **SawStop.com/support**

TechnicalSupport@SawStop.com  
(503) 582-9934

Parts available for purchase at SawStop.com

## **EUROPE/UK**

### **TTS Europe SE**

Wertstrasse 20  
73240 Wendlingen a.N., DE

### **UK Regulatory**

Authorised Rep Compliance Ltd., ARC House,  
Thurnham, Lancaster, LA2 0DT, UK.

### **SawStop.eu/support**

SupportEurope@SawStop.com

## **AUSTRALIA**

### **Carbatec.com.au/contact**

customercare@carbatec.com.au